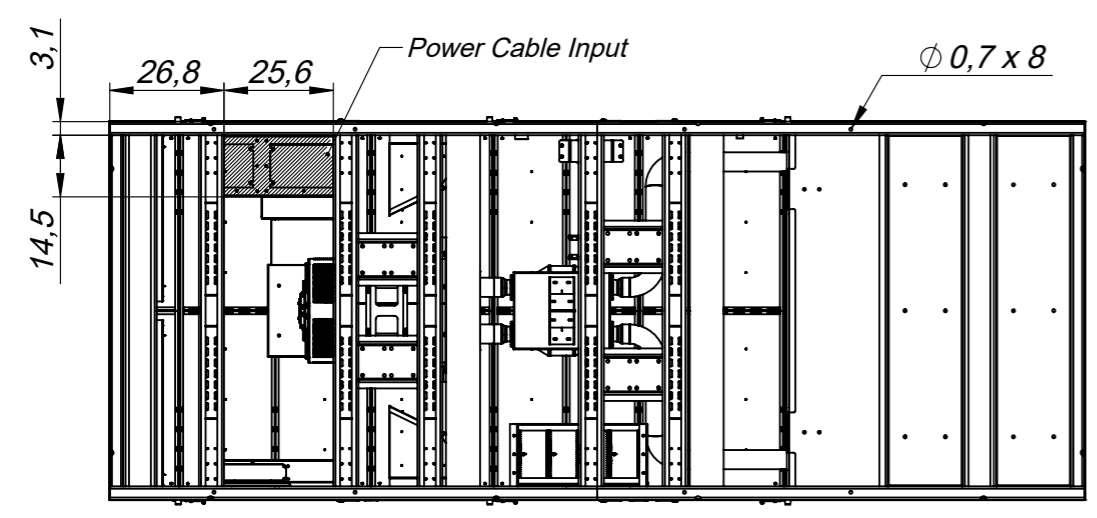
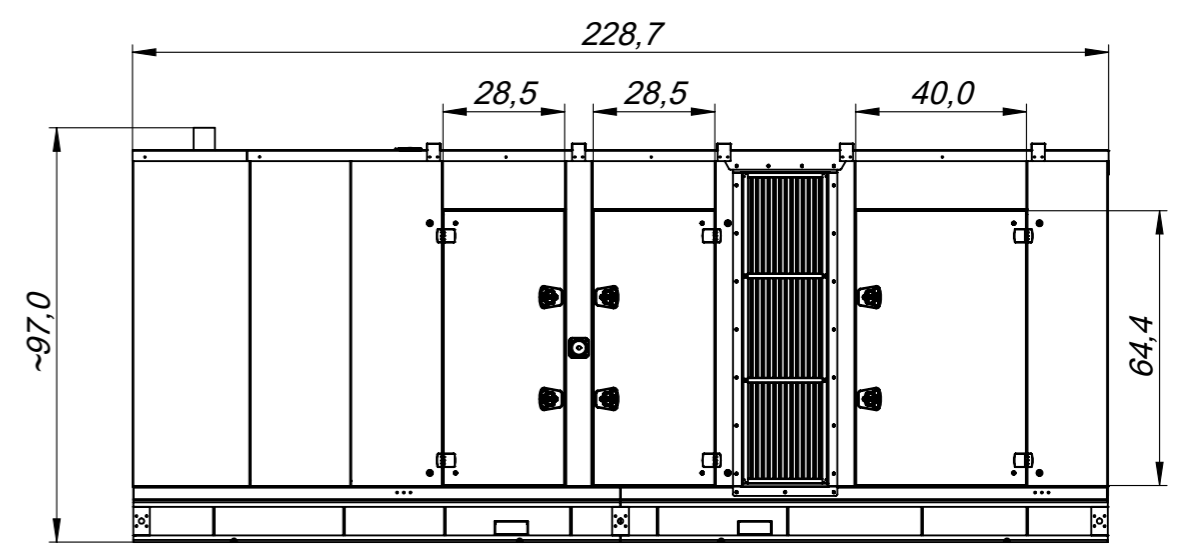
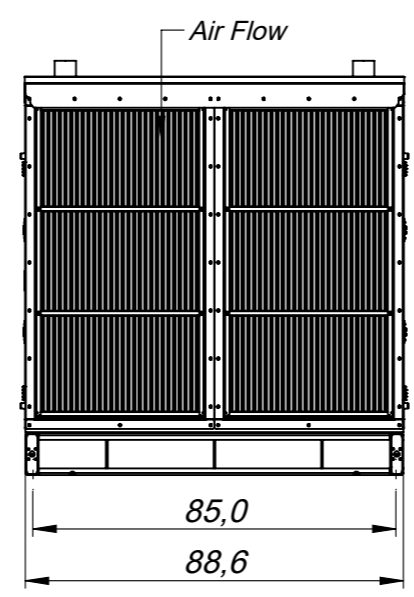
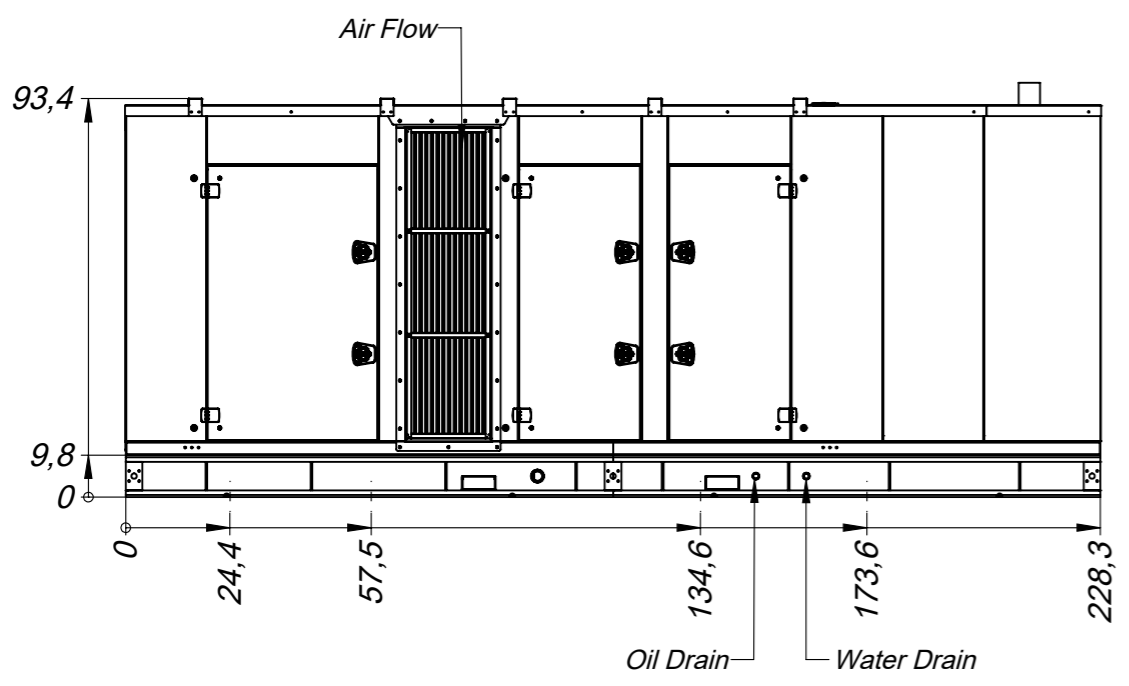
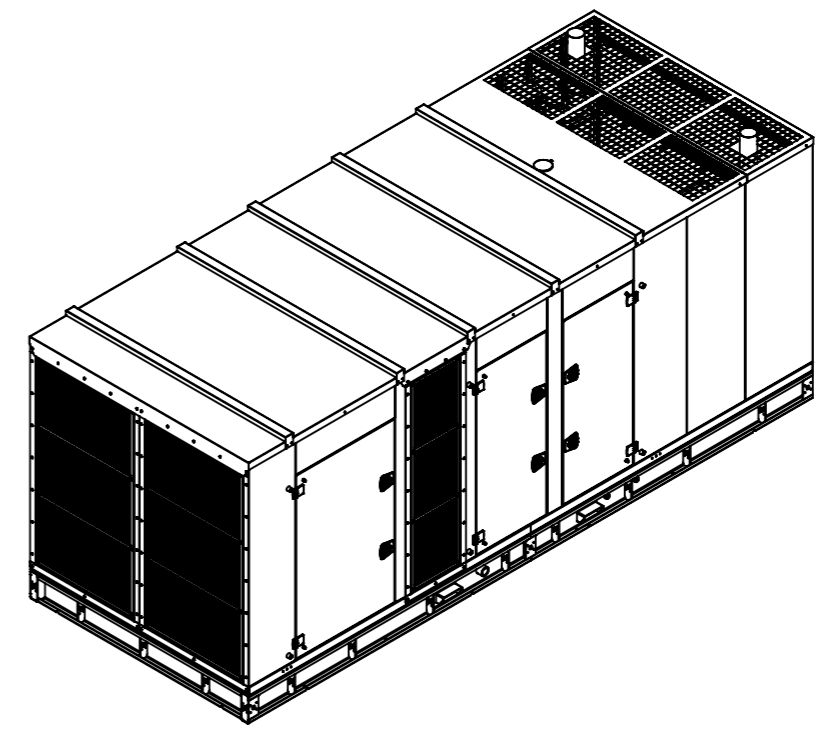
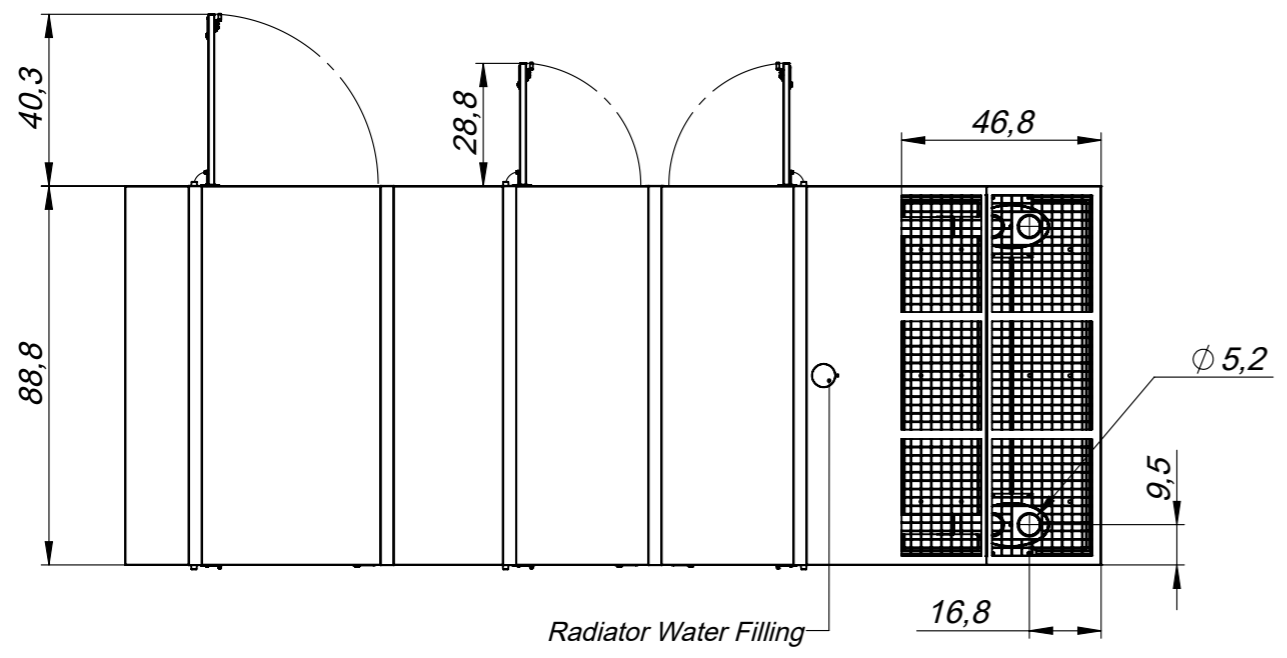


*DIMENSIONAL DRAWINGS*





Please do not take measures on the drawings.

	Tolerances	Name	Date	Document No
	N / A	Drawn Melih Gülşen	06-06-2023	SM-230682326
		Checked Melih Gülşen	22-01-2024	Part Code
		Approval -	-	-
	1. Projection Method	Paper Size	Scale	Order No
		A3	1:45	-
		Rev. No	Title	
		R00(G)	Jeneratör Seti-Dizel-Kabinli-	