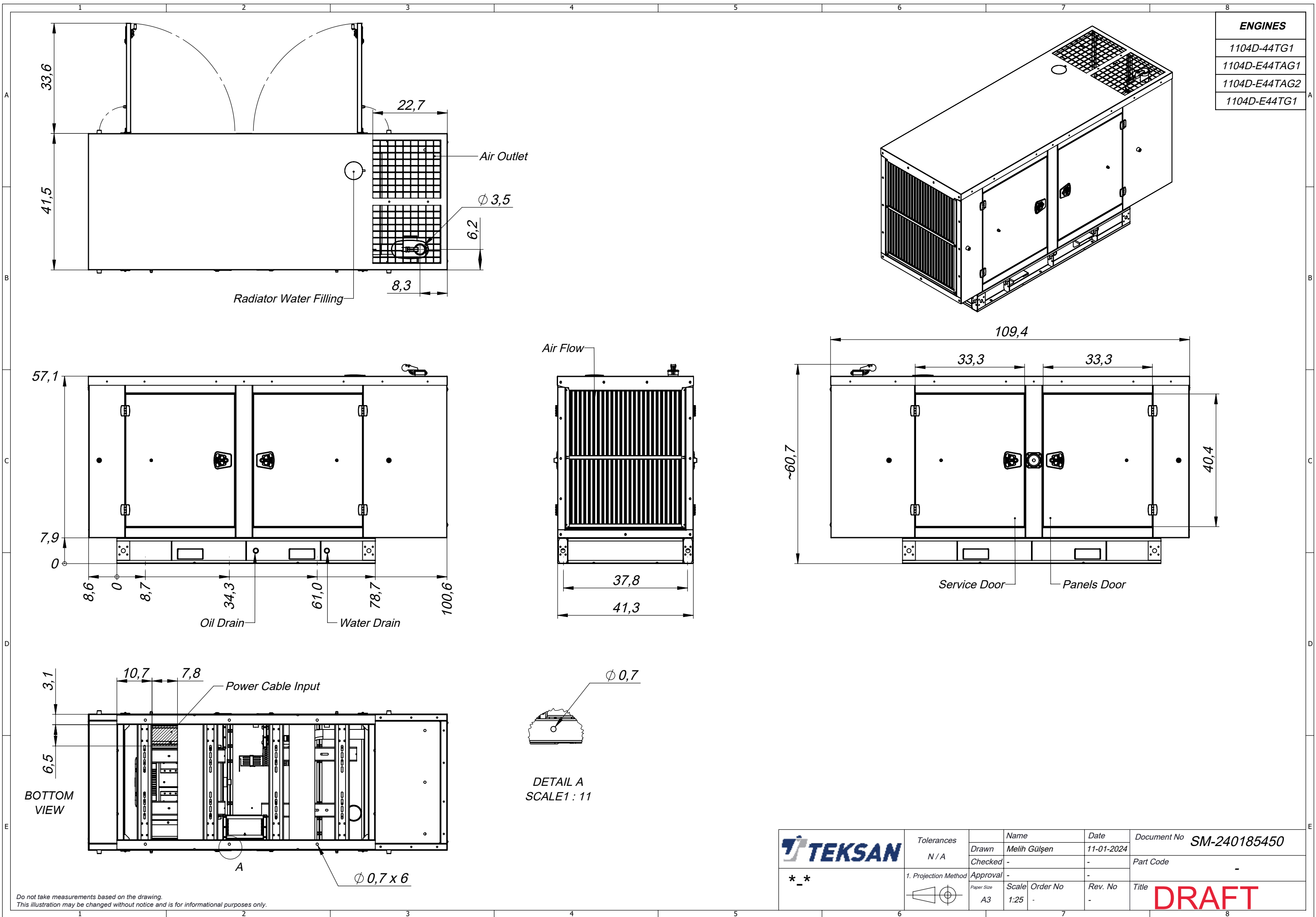


*DIMENSIONAL DRAWINGS*

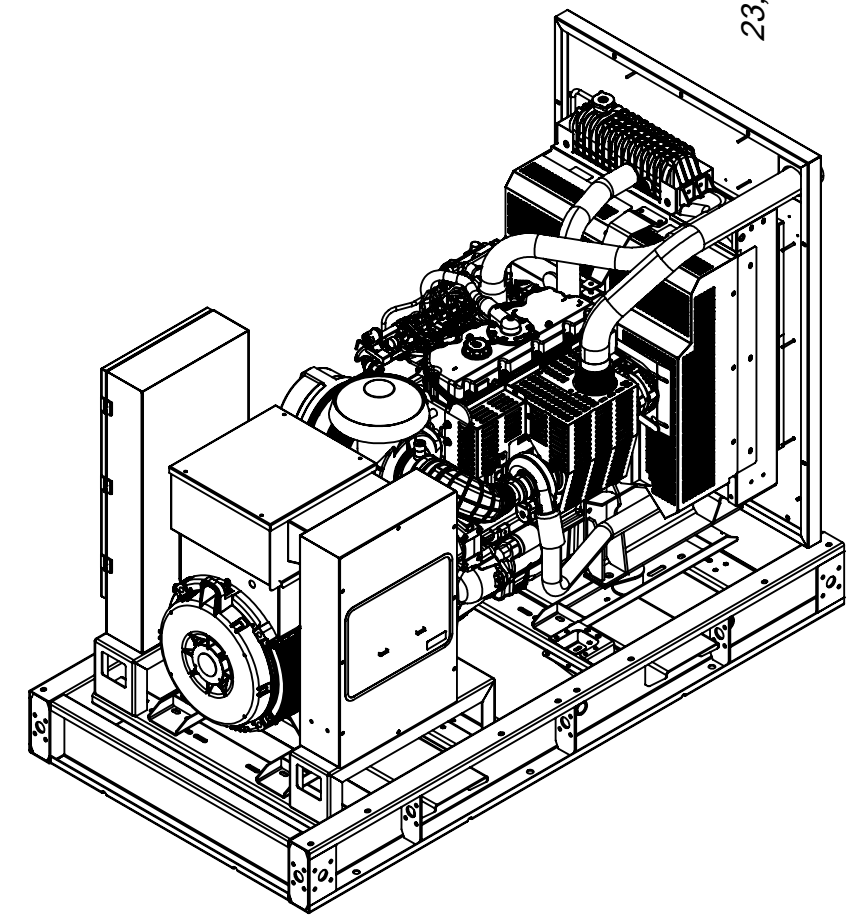
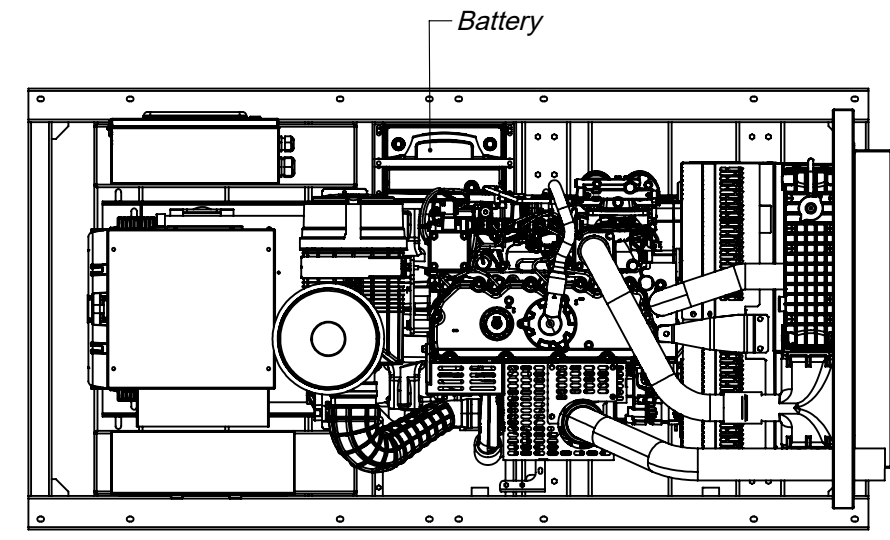
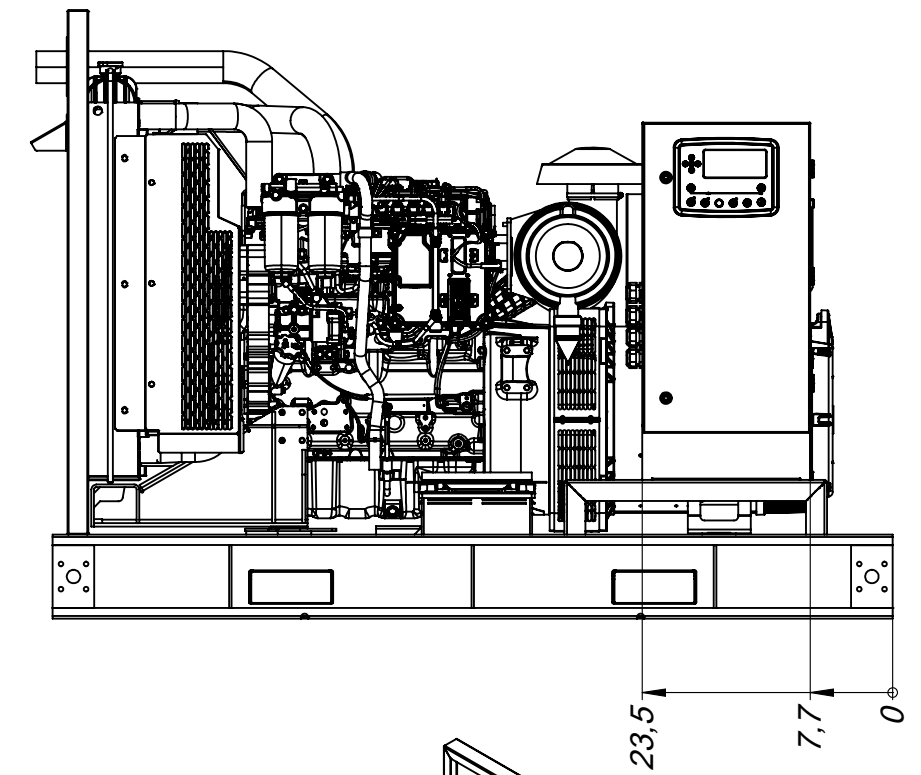
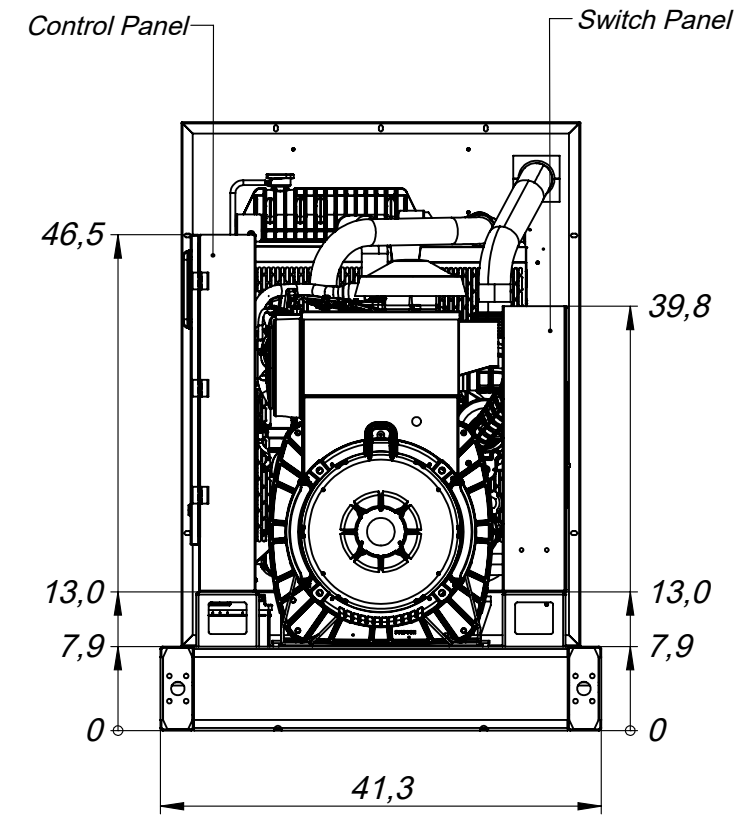
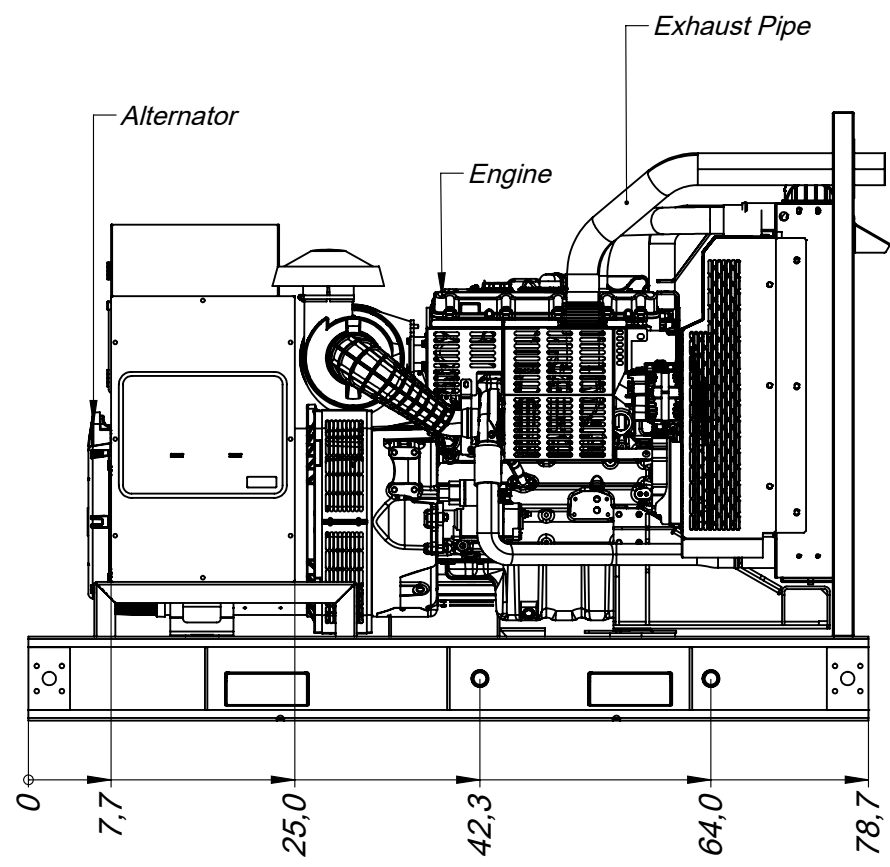




Do not take measurements based on the drawing.  
This illustration may be changed without notice and is for informational purposes only.

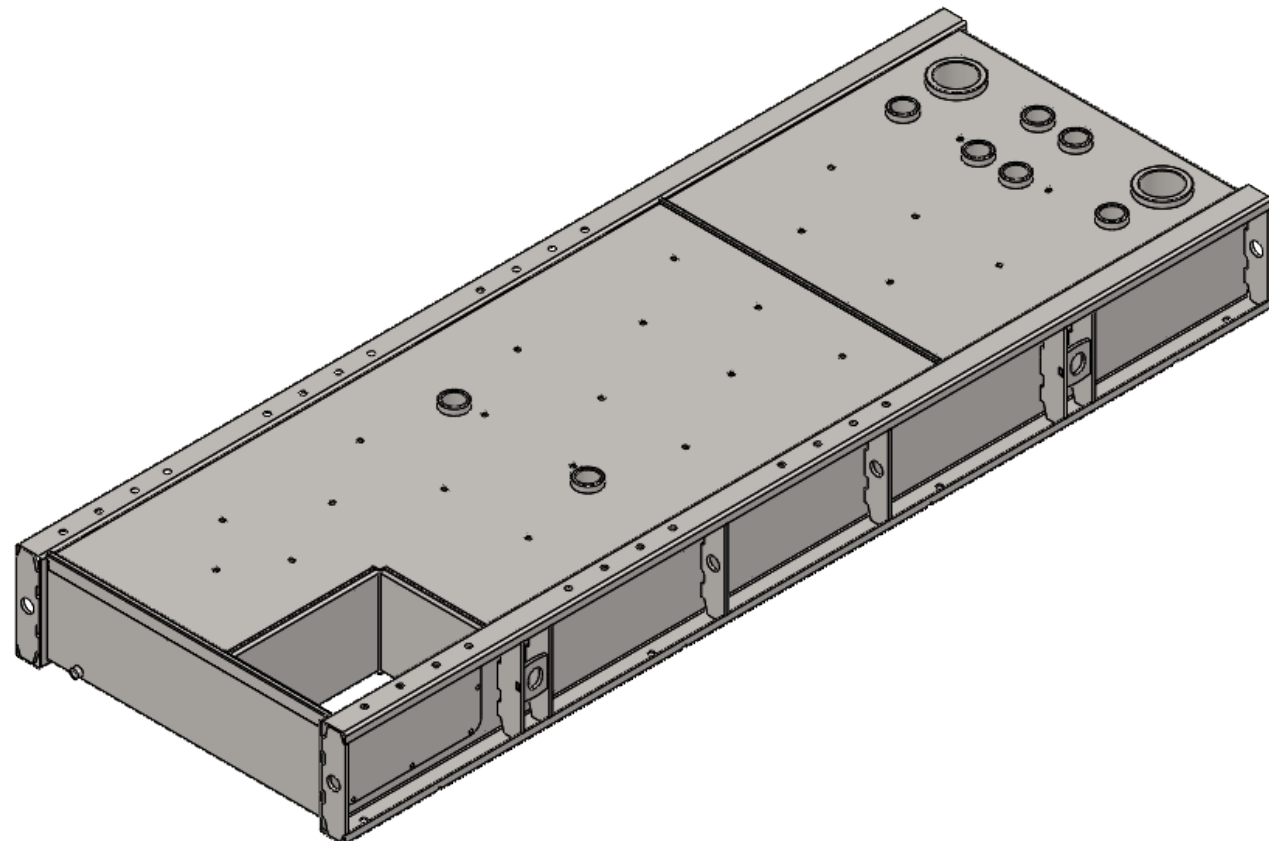
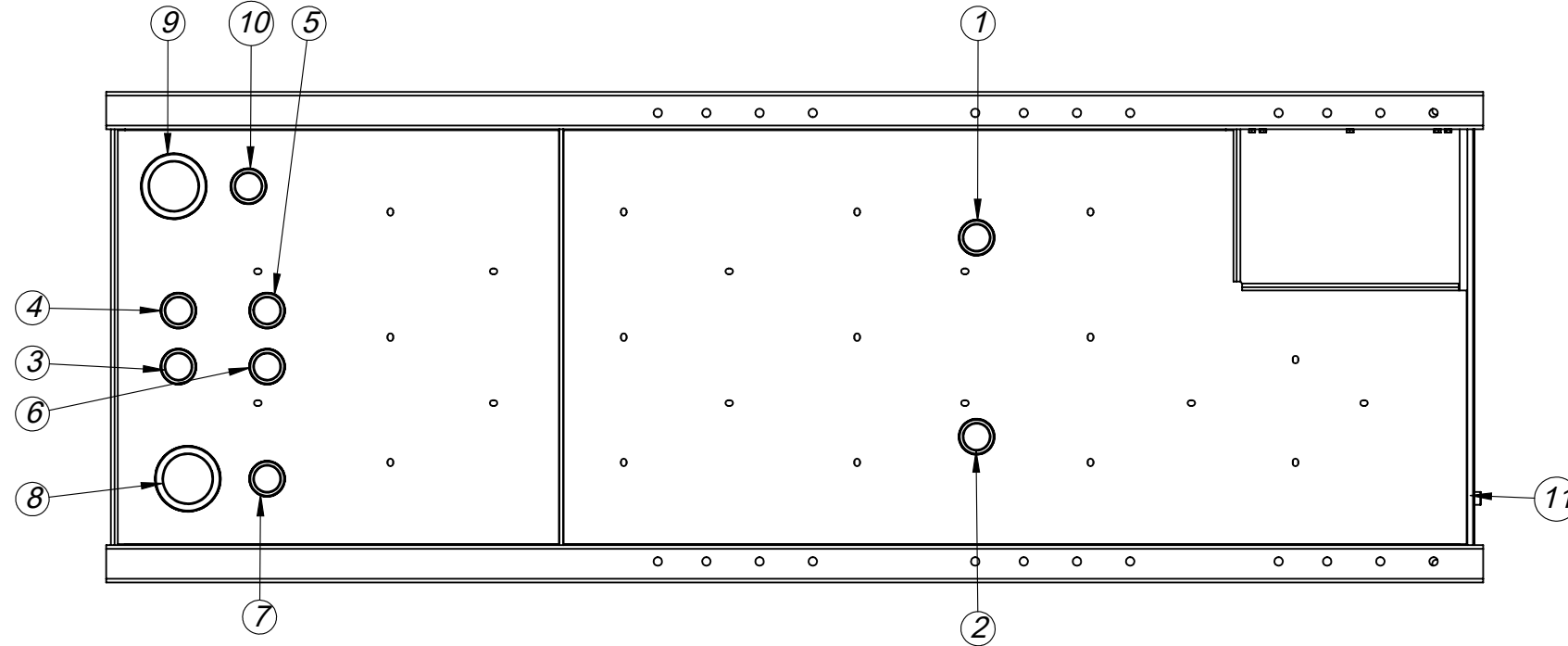
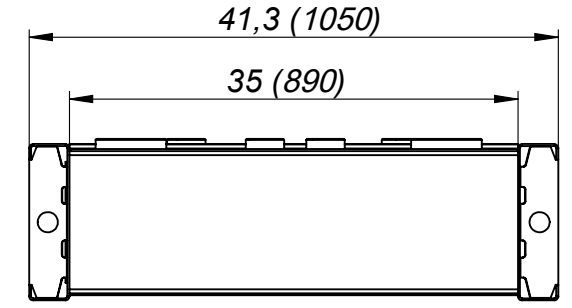
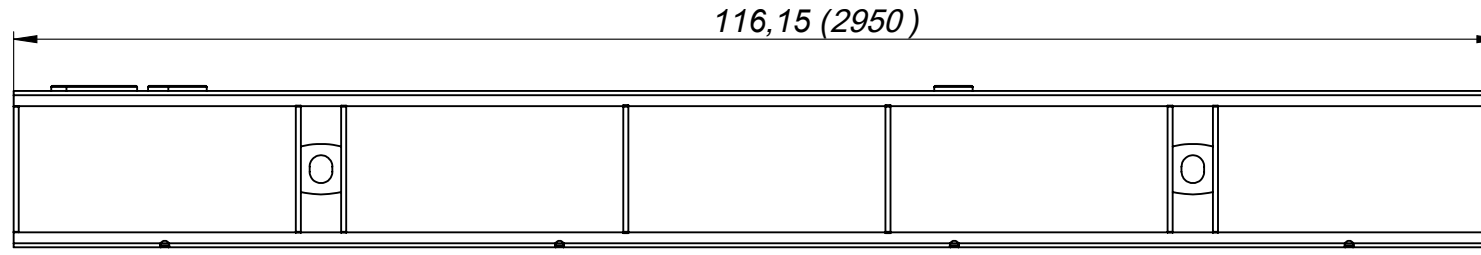
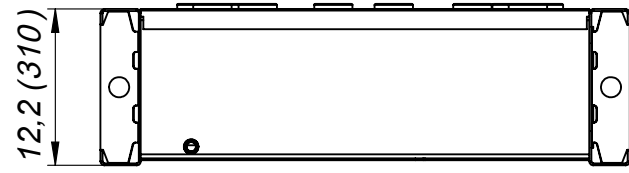
<b>TEKSAN</b>	Tolerances	Name	Date	Document No	
	N / A	Melih Gülşen	11-01-2024	SM-240185450	
	1. Projection Method	Checked	-	-	Part Code
		Approval	-	-	-
*_*	Paper Size	Scale	Order No	Rev. No	
	A3	1:25	-	-	
				Title	
				<b>DRAFT</b>	

ENGINES
1104D-44TG1
1104D-E44TAG1
1104D-E44TAG2
1104D-E44TG1



Do not take measurements based on the drawing.  
This illustration may be changed without notice and is for informational purposes only.

	Tolerances	Name	Date	Document No
	N / A	Drawn melih.gulsen	16-11-2023	SM-231184651
	1. Projection Method 	Checked Melih Gülşen	27-12-2023	Part Code
		Approval Goktug Ada	27-12-2023	-
* _ *	Paper Size	Scale	Order No	Rev. No
	A3	1:18	-	R02
				Title
				<b>DRAFT</b>

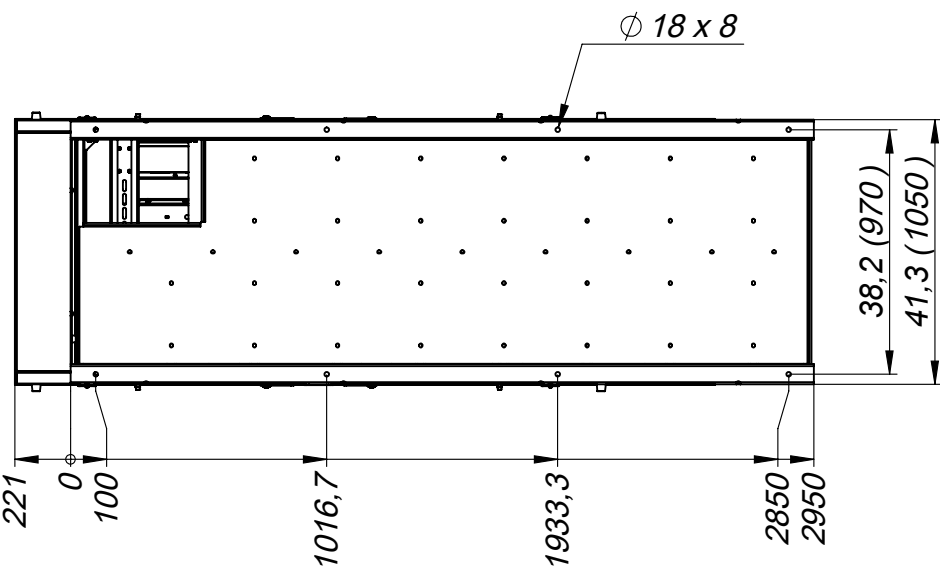
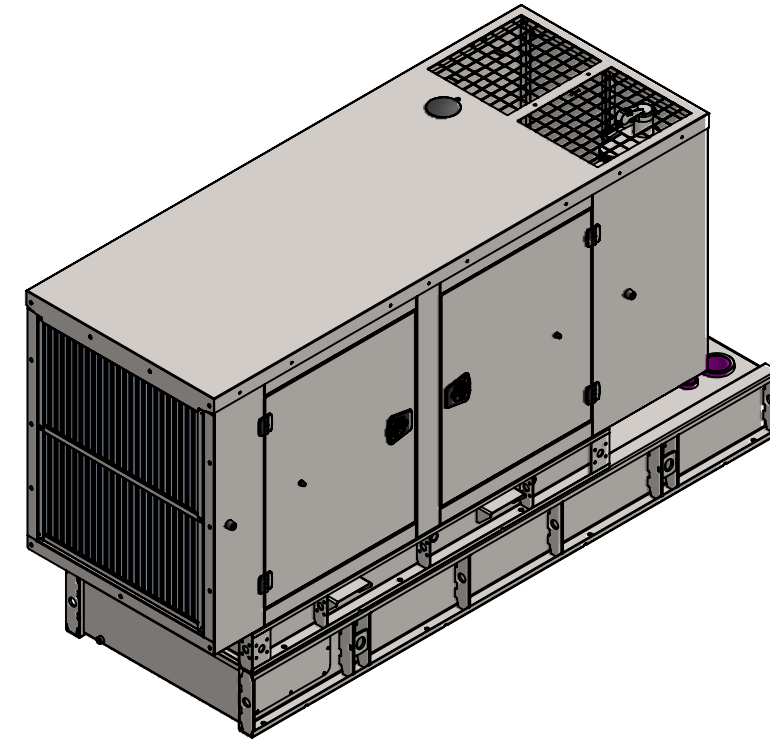
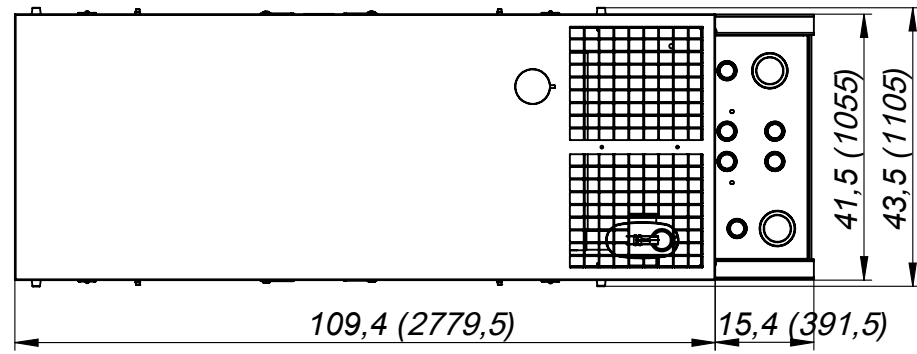
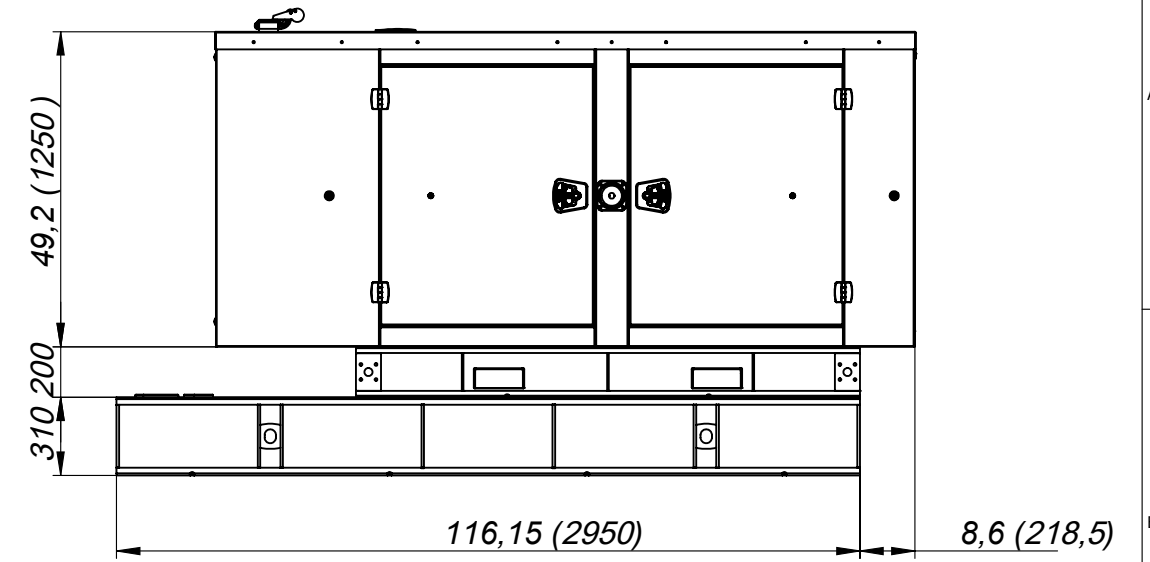
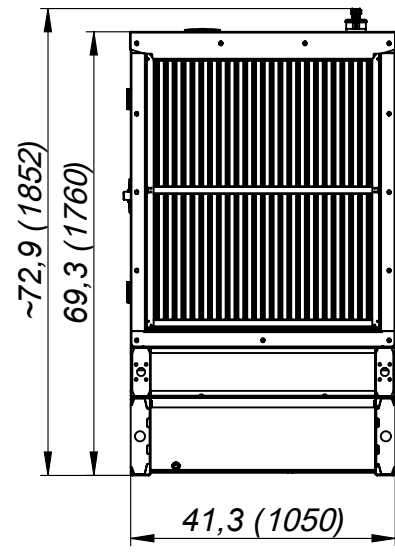
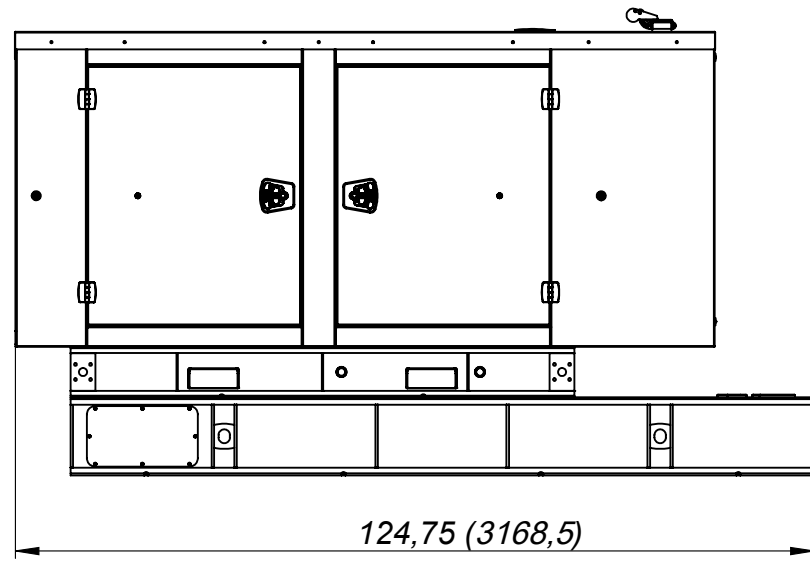


<b>UL 142</b>	
<b>GROUP-2 (125 GALLON)</b>	
<b>NOTES (PRIMARY STEEL TANK)</b>	
Thickness of tank;	
Lifting Lug & Support Brackets: 10mm	
Primary Tank: 4mm	
Secondary Tank: 4mm	
<b>TANK SPECIFICATION</b>	
Shell Material: S235JR	
Coupling Material: ASTM A106	

MARK	QUANTITY	SIZE	SPECIFICATION	DESCRIPTION
11	1	1/2" (NPT)	ASTM A105	Secondary Tank Drain
10	1	4" (NPT)	ASTM A105	Leak Detection Coupling
9	1	4" (NPT)	ASTM A105	Secondary Tank E. Vent
8	1	2" (NPT)	ASTM A105	Primary Tank E. Vent
7	1	2" (NPT)	ASTM A105	Normal Vent
6	1	2" (NPT)	ASTM A105	Fuel Low Level Sensor
5	1	2" (NPT)	ASTM A105	Fuel High Level Sensor
4	1	2" (NPT)	ASTM A105	Automatic Tank Gauge
3	1	2" (NPT)	ASTM A105	Filling Coupling
2	1	2" (NPT)	ASTM A105	Return Coupling
1	1	2" (NPT)	ASTM A105	Suction Coupling

<b>TEKSAN</b>	Tolerances	Name	Date	Document No	
	ISO 2768	Yasin Parlak	23-10-2023	SM-231084306	
	1. Projection Method 	Checked	Ferhat Nergis	29-11-2023	Part Code
		Approval	Murat Uysal	30-11-2023	-
*_*	Paper Size	Scale	Order No	Rev. No	
	A3	1:15	-	R00	
				<b>DRAFT</b>	

Do not take measurements based on the drawing.  
This illustration may be changed without notice and is for informational purposes only.



Do not take measurements based on the drawing.  
This illustration may be changed without notice and is for informational purposes only.



Toleranslar ISO 2768	İsim	Tarih	Ağırlık	Rev. No	Çizim No
Çizen Kontrol	melih.gulsen Hurcan Sevincli	14-11-2023 21-12-2023	1681079.07 gr.	R01	SM-231184613
İzdüşümü Metodu	Onay	Goktug Ada	Yüzey Alanı	Kalınlık	Stok Kodu
Sayfa A3	Ölçek 1:50	Malzeme	126418272.64 mm <sup>2</sup>	-	-
	Sipariş No	Ebatlar	1106 x 1851,6 x 3173,8	Tanım:	<b>DRAFT</b>