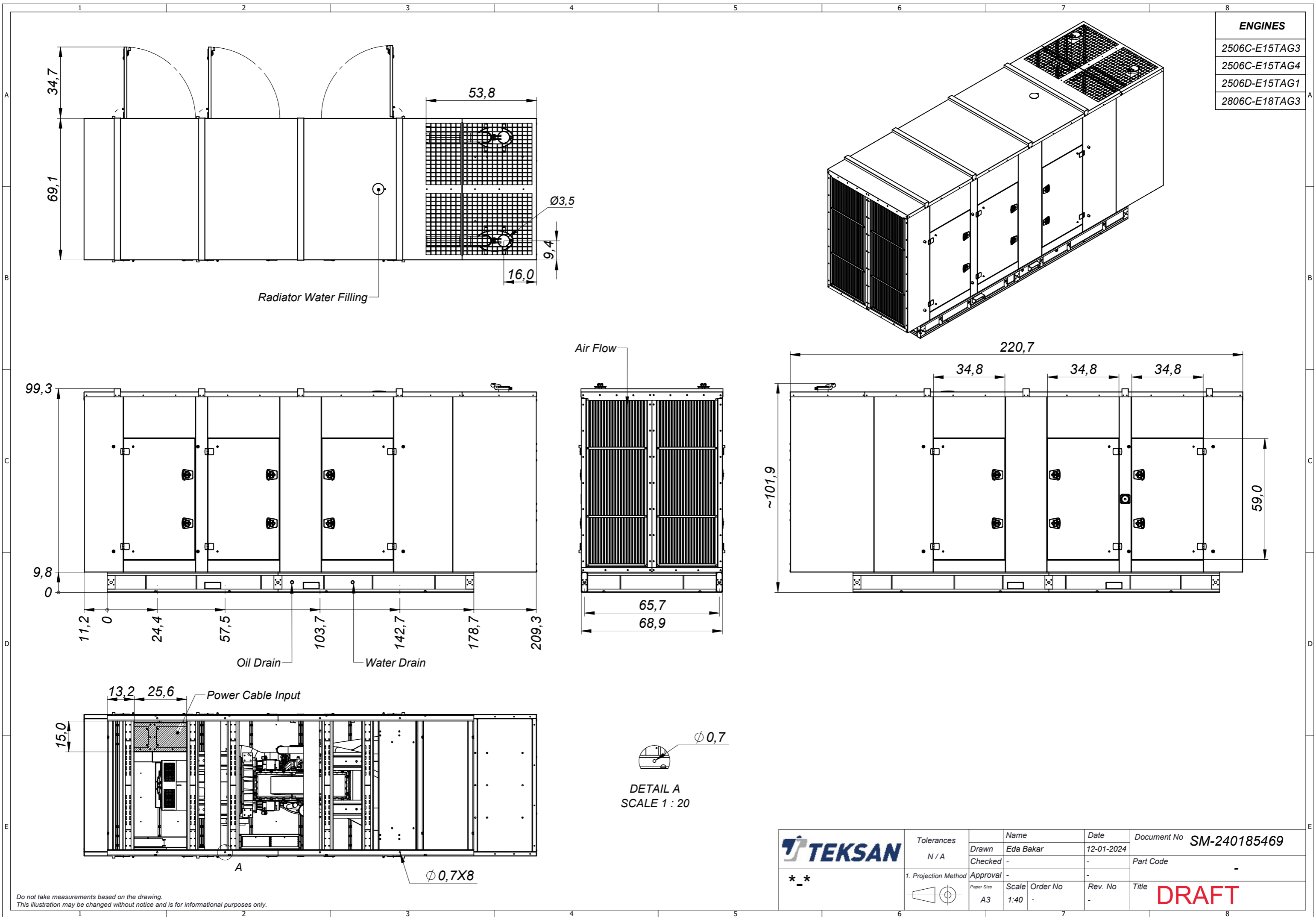


*DIMENSIONAL DRAWINGS*





ENGINES
2506C-E15TAG3
2506C-E15TAG4
2506D-E15TAG1
2806C-E18TAG3

Radiator Water Filling

Air Flow

Oil Drain

Water Drain

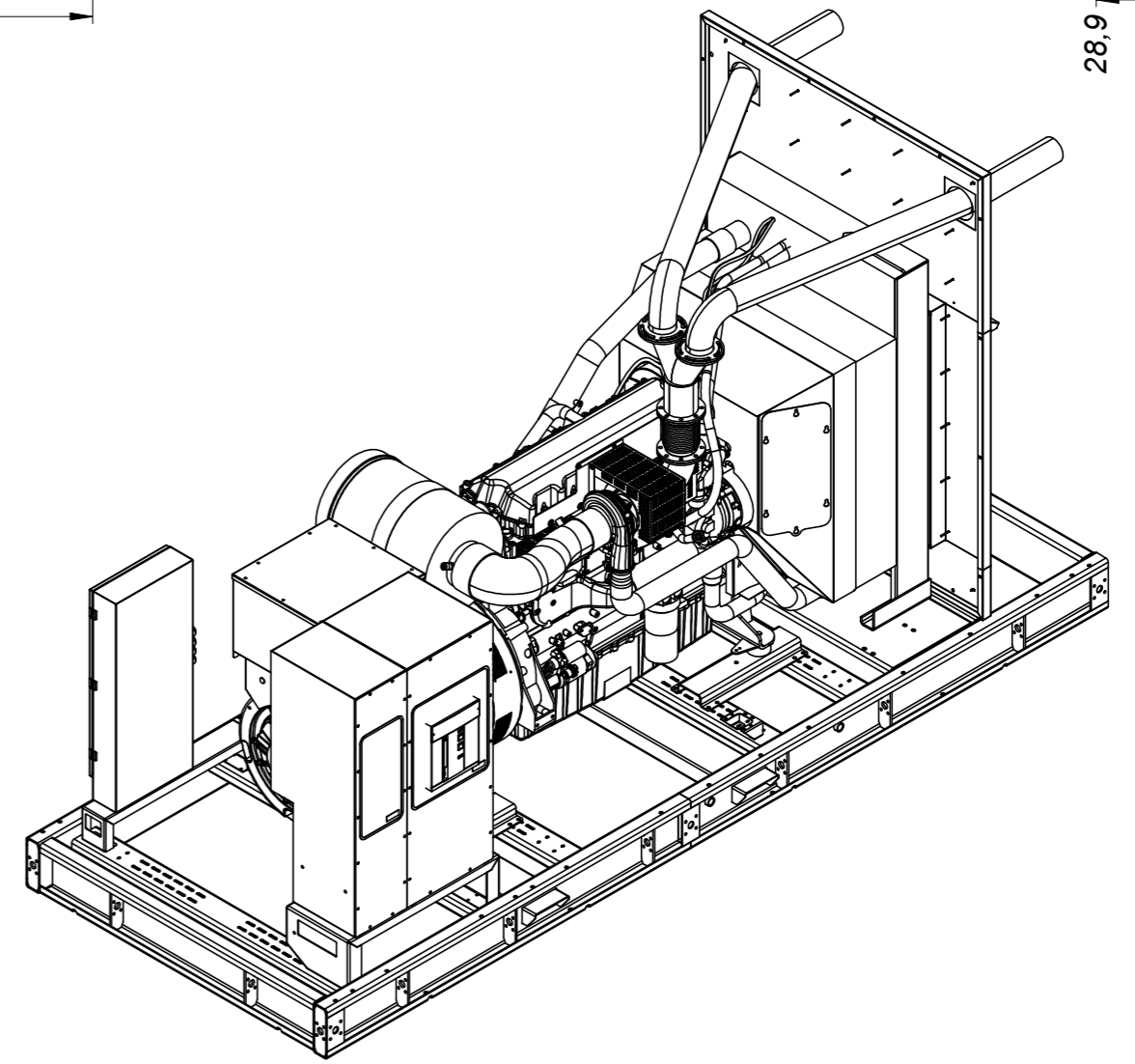
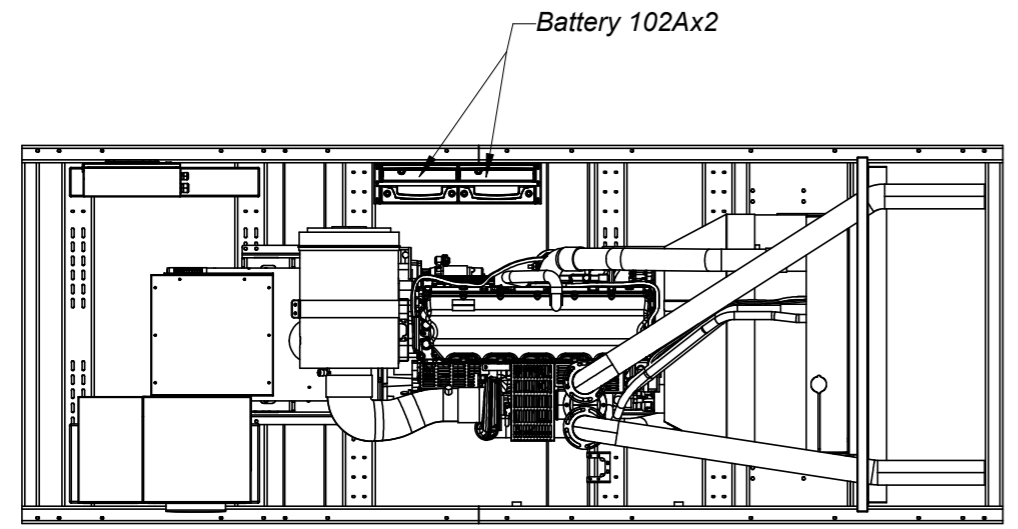
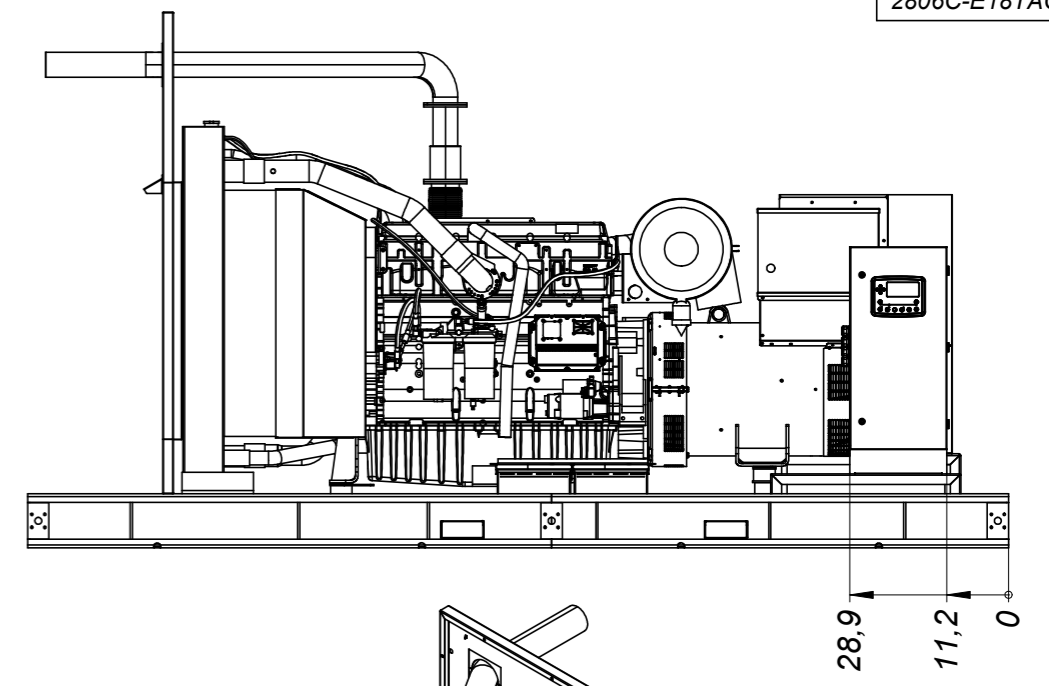
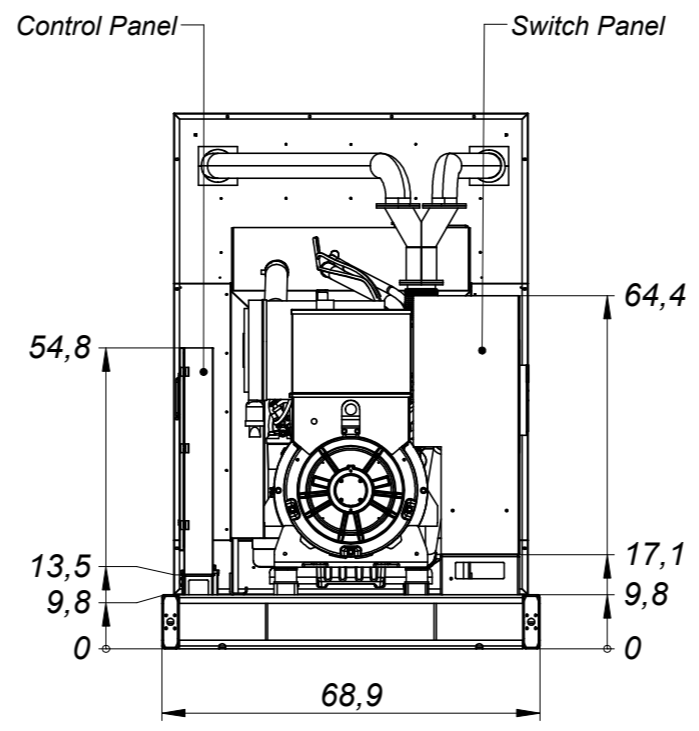
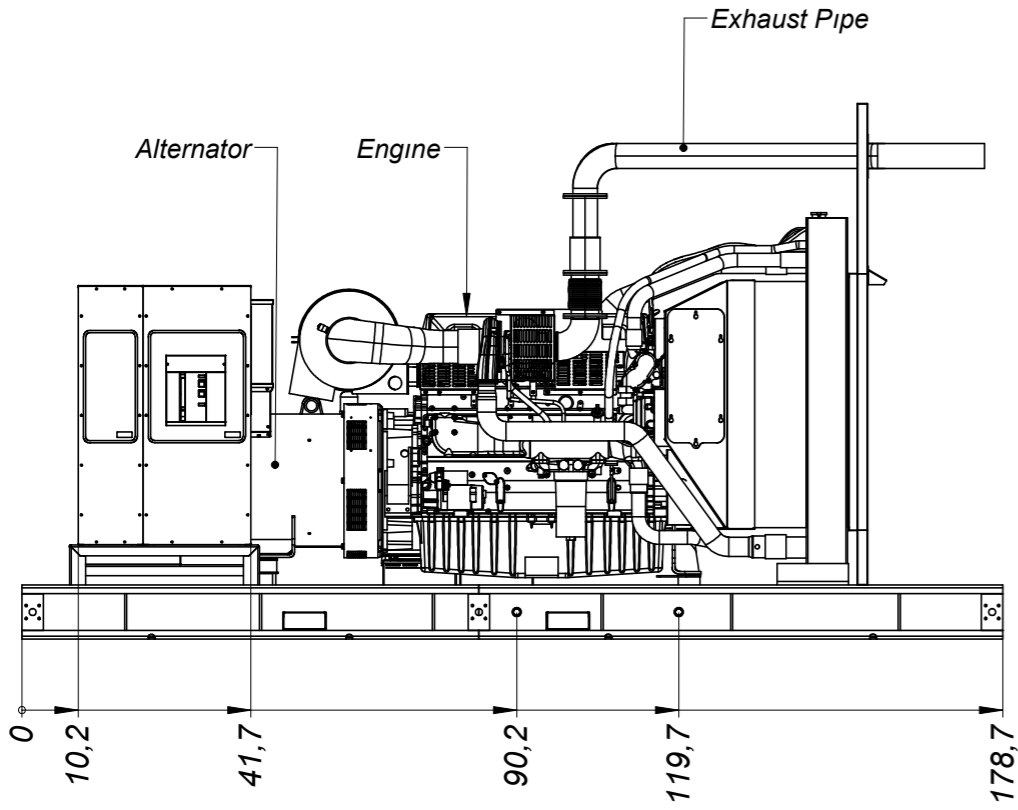
Power Cable Input

DETAIL A  
SCALE 1 : 20

	Tolerances	Name	Date	Document No
	N / A	Eda Bakar	12-01-2024	SM-240185469
	1. Projection Method	Checked	-	Part Code
	-	Approval	-	-
* - *	Paper Size	Scale	Order No	Rev. No
-	A3	1:40	-	-
				Title
				<b>DRAFT</b>

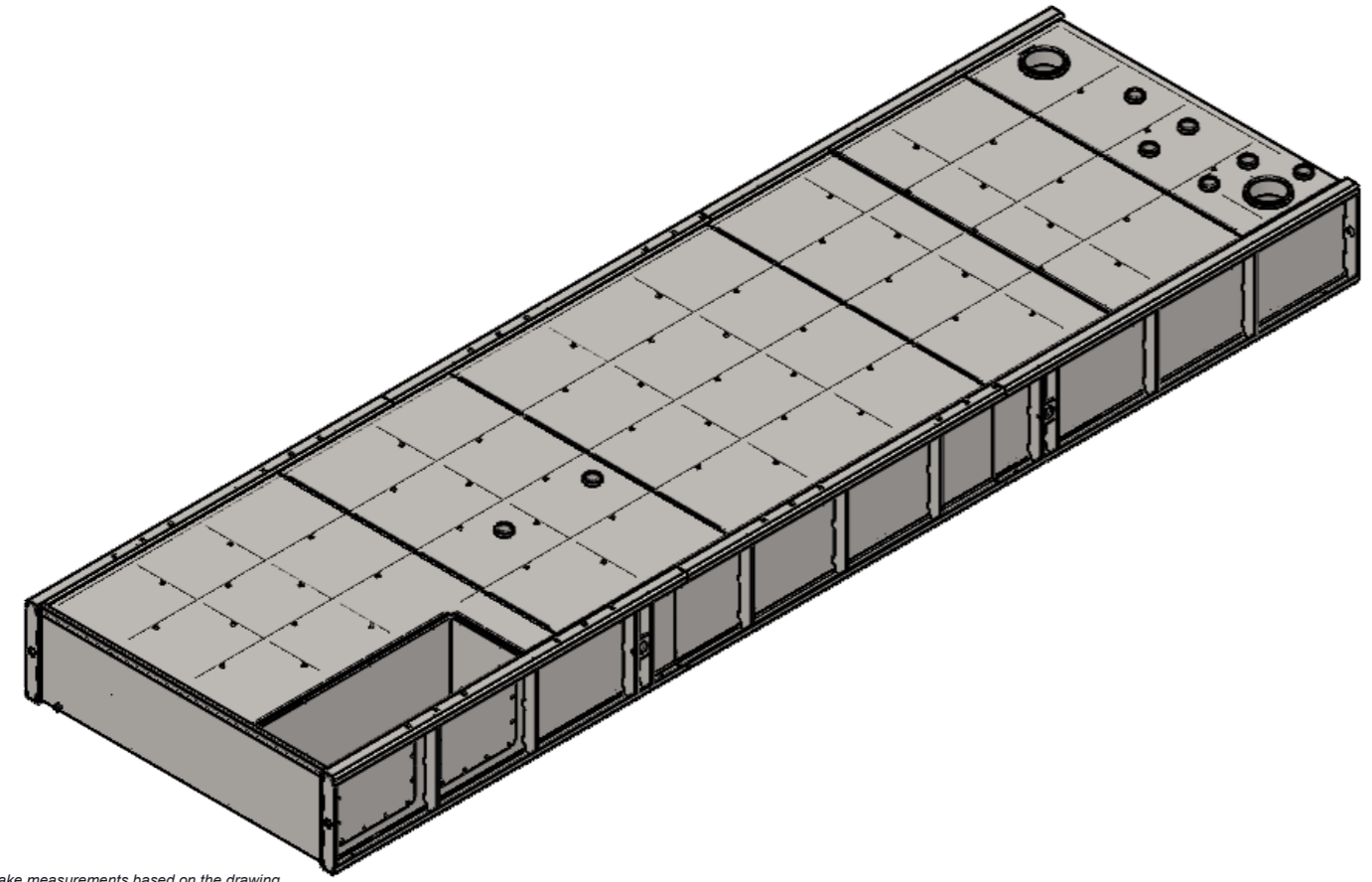
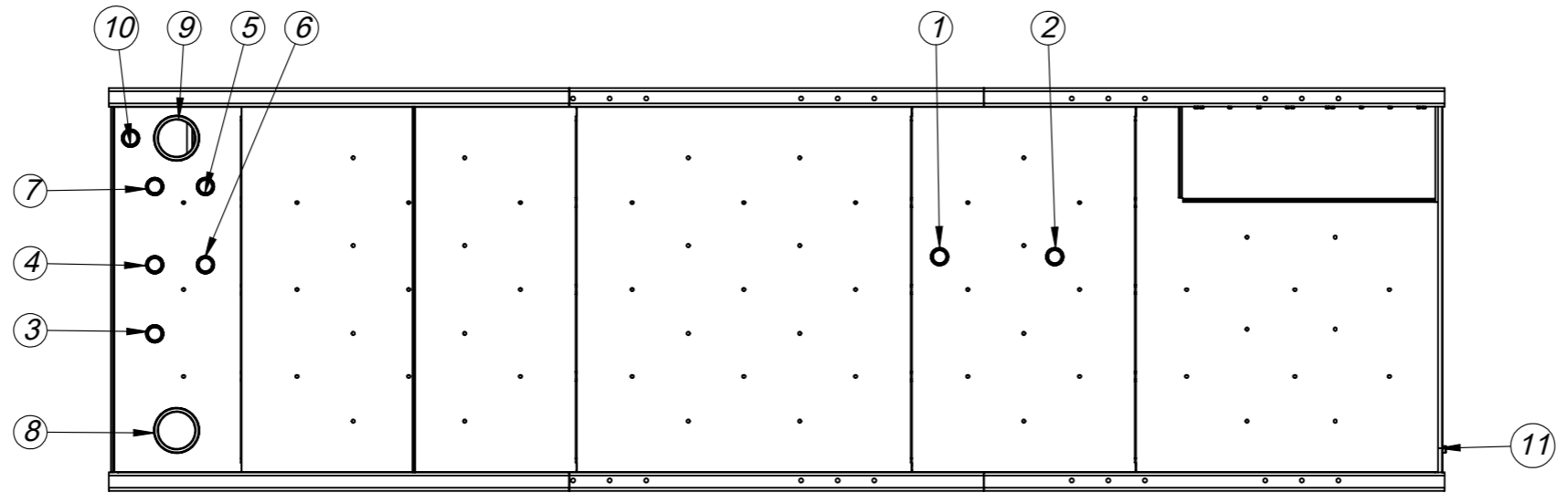
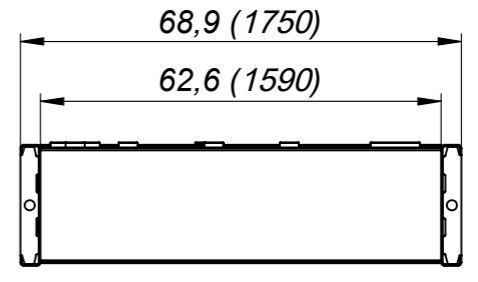
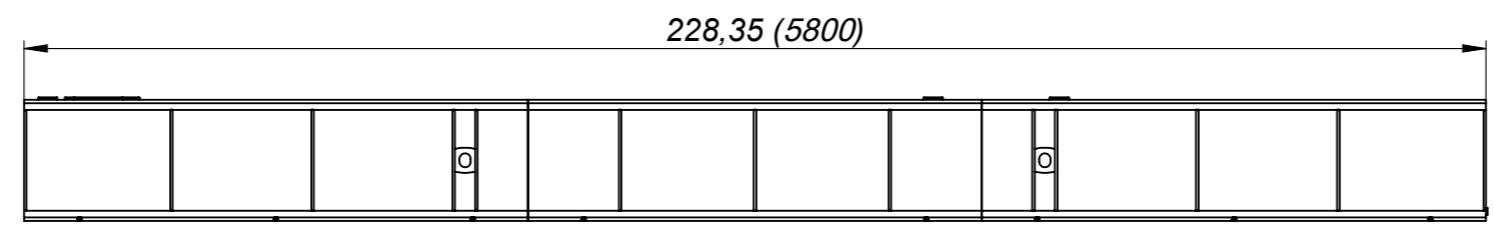
Do not take measurements based on the drawing.  
This illustration may be changed without notice and is for informational purposes only.

ENGINES
2506C-E15TAG3
2506C-E15TAG4
2506D-E15TAG1
2806C-E18TAG3



Do not take measurements based on the drawing.  
This illustration may be changed without notice and is for informational purposes only.

	Tolerances	Name	Date	Document No
	N / A	Eda Bakar	02-01-2024	SM-240185320
		Melih Gülşen	-	Part Code
		-	-	-
		-	-	-
1. Projection Method	Approval	Scale	Order No	Rev. No
		A3	1:35	-
				Title
				<b>DRAFT</b>

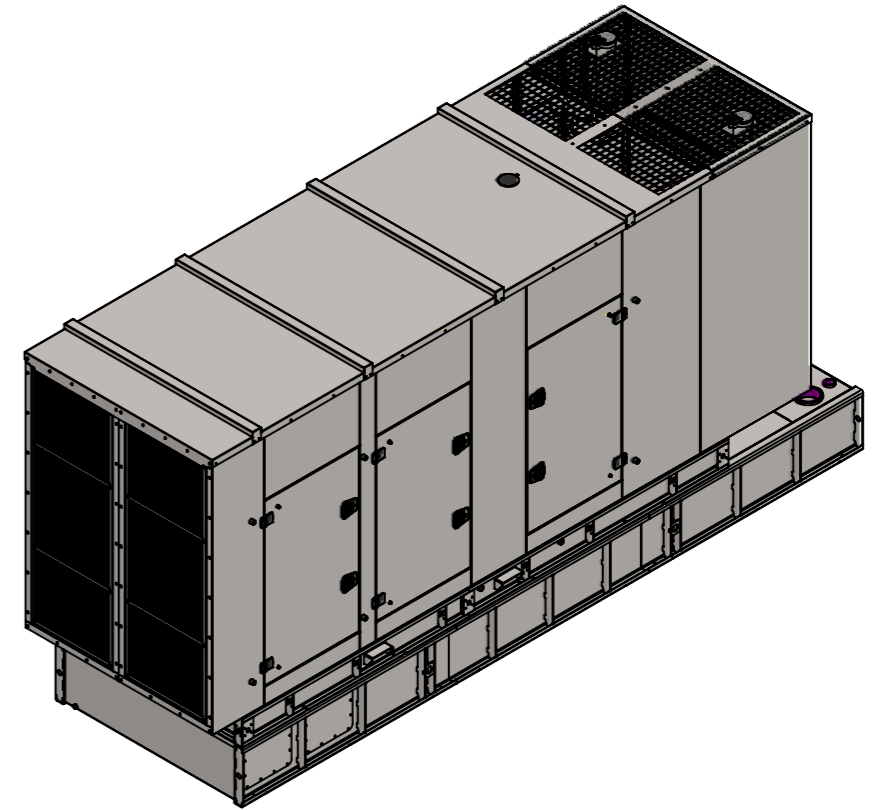
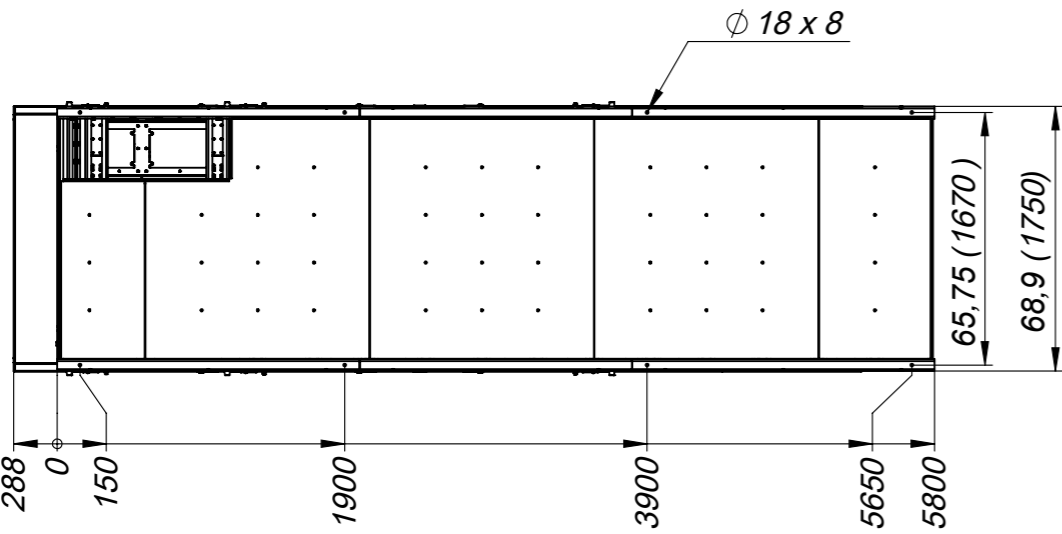
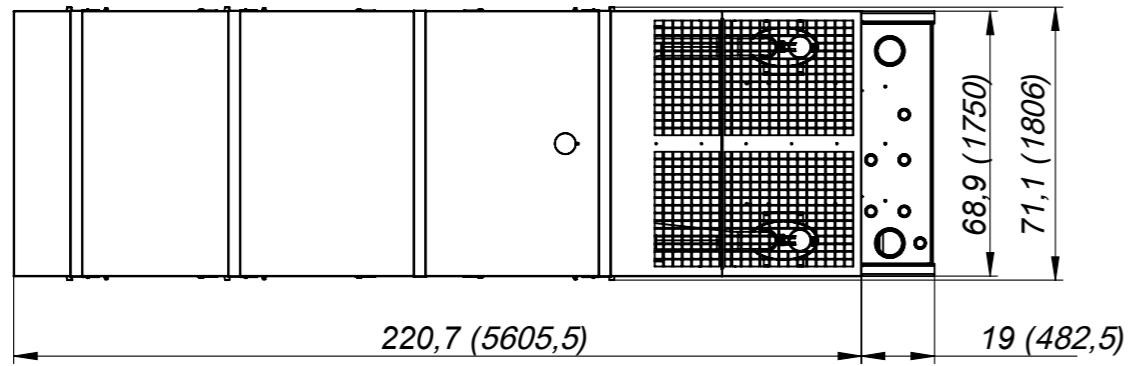
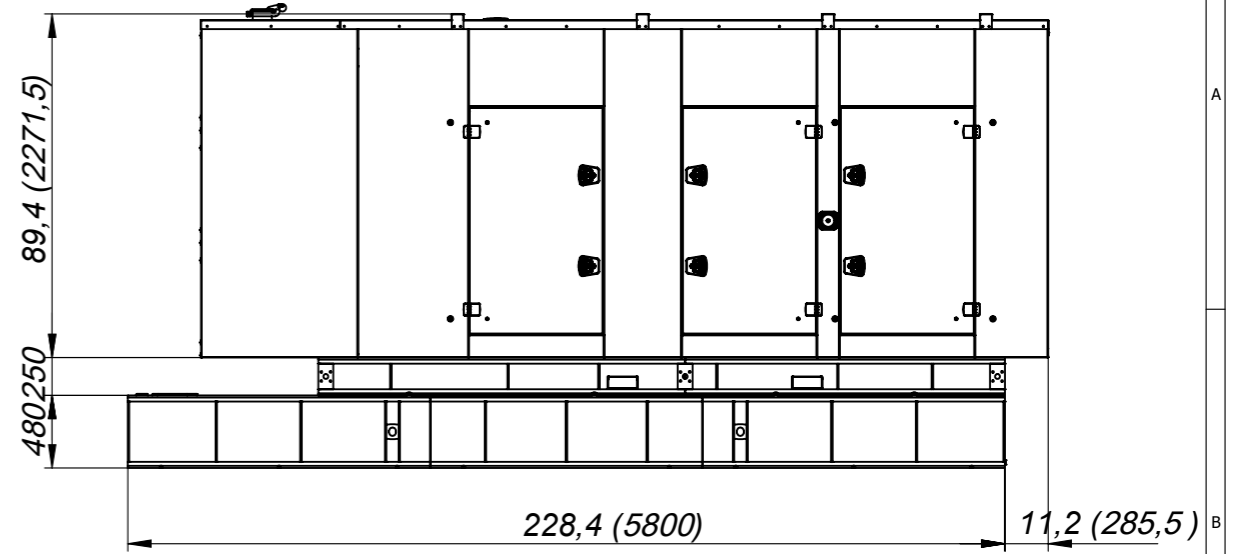
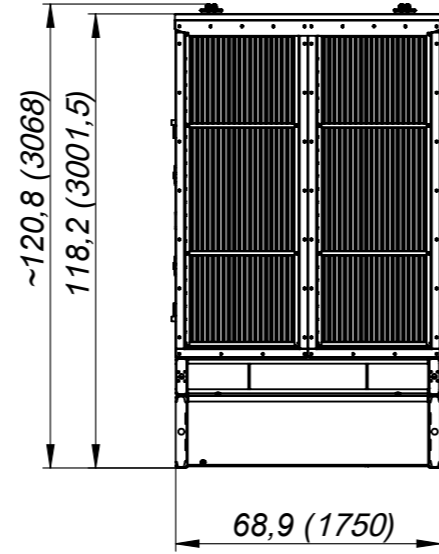
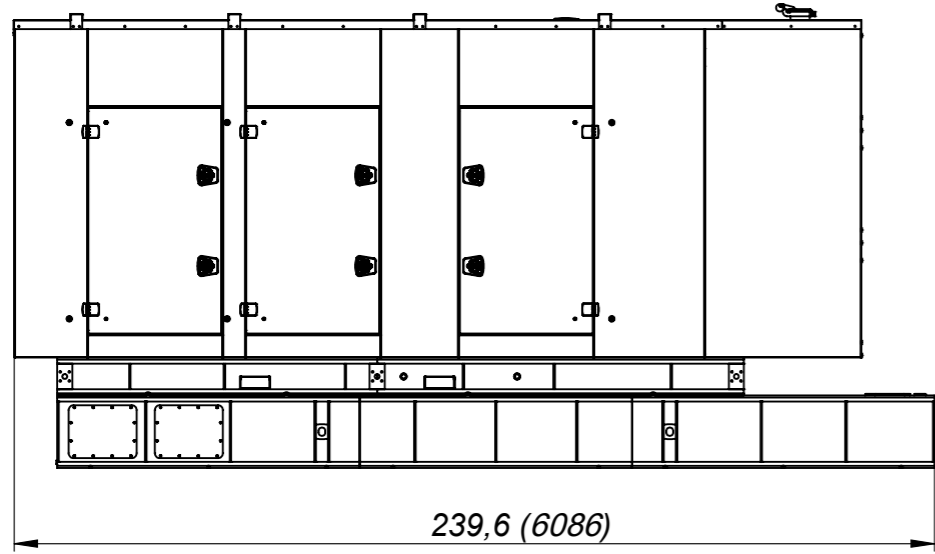


<b>UL 142</b>	
<b>GROUP-6 (850 GALLON)</b>	
<b>NOTES (PRIMARY STEEL TANK)</b>	
Thickness of tank;	
Lifting Lug & Support Brackets: 10mm	
Primary Tank: 4mm	
Secondary Tank: 6mm	
<b>TANK SPECIFICATION</b>	
Shell Material: S235JR	
Coupling Material: ASTM A106	

11	1	1/2" (NPT)	ASTM A105	Secondary Tank Drain
10	1	2" (NPT)	ASTM A105	Leak Detection Coupling
9	1	6" (NPT)	ASTM A105	Secondary Tank E. Vent
8	1	6" (NPT)	ASTM A105	Primary Tank E. Vent
7	1	2" (NPT)	ASTM A105	Normal Vent
6	1	2" (NPT)	ASTM A105	Fuel Low Level Sensor
5	1	2" (NPT)	ASTM A105	Fuel High Level Sensor
4	1	2" (NPT)	ASTM A105	Automatic Tank Gauge
3	1	2" (NPT)	ASTM A105	Filling Coupling
2	1	2" (NPT)	ASTM A105	Return Coupling
1	1	2" (NPT)	ASTM A105	Suction Coupling
MARK	QUANTITY	SIZE	SPECIFICATION	DESCRIPTION

<b>TEKSAN</b>	Tolerances		Name	Date	Document No
	ISO 2768		Yasin Parlak	10-11-2023	SM-231184571
	1. Projection Method		Checked Ferhat Nergis	04-12-2023	Part Code
	*_*		Approval Murat Uysal	05-12-2023	-
Paper Size		Scale	Order No	Rev. No	Title
A3		1:30	-	R00	DRAFT

Do not take measurements based on the drawing.  
This illustration may be changed without notice and is for informational purposes only.



Do not take measurements based on the drawing.  
This illustration may be changed without notice and is for informational purposes only.

	Toleranslar	İsim	Tarih	Ağırlık	Rev. No	Çizim No	<b>SM-231184544</b>
	ISO 2768	Çizen Kontrol	09-11-2023 15-12-2023	13151102.12 gr. R01 Yüzey Alanı	gr. R01 Kalınlık	Stok Kodu	
* *	İzdüşümü Metodu	Onay	15-12-2023	419204330.70 mm <sup>2</sup>			
		Sayfa	Sipariş No	Ebatlar		Tanım:	<b>DRAFT</b>
		A3	1:50				