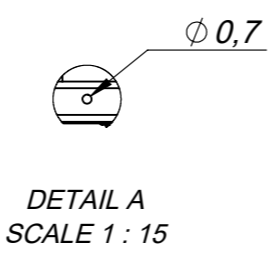
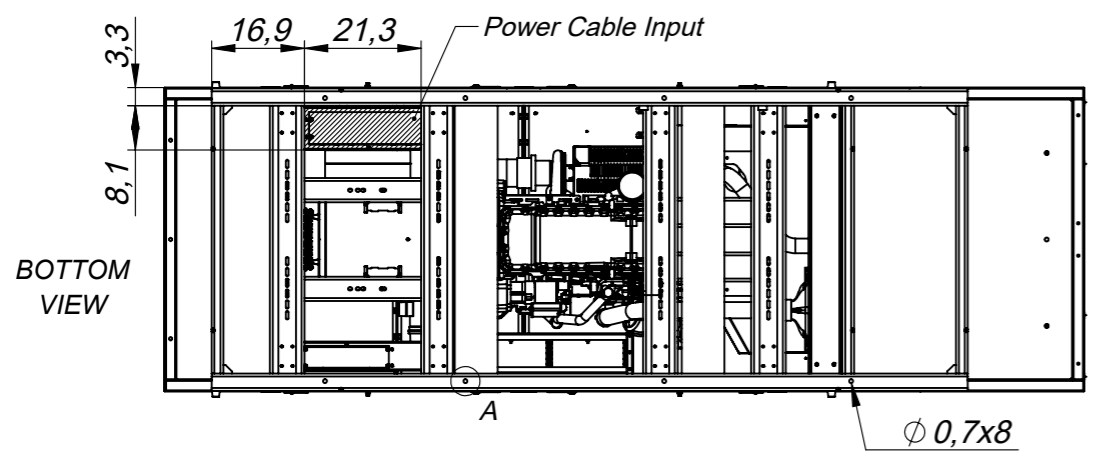
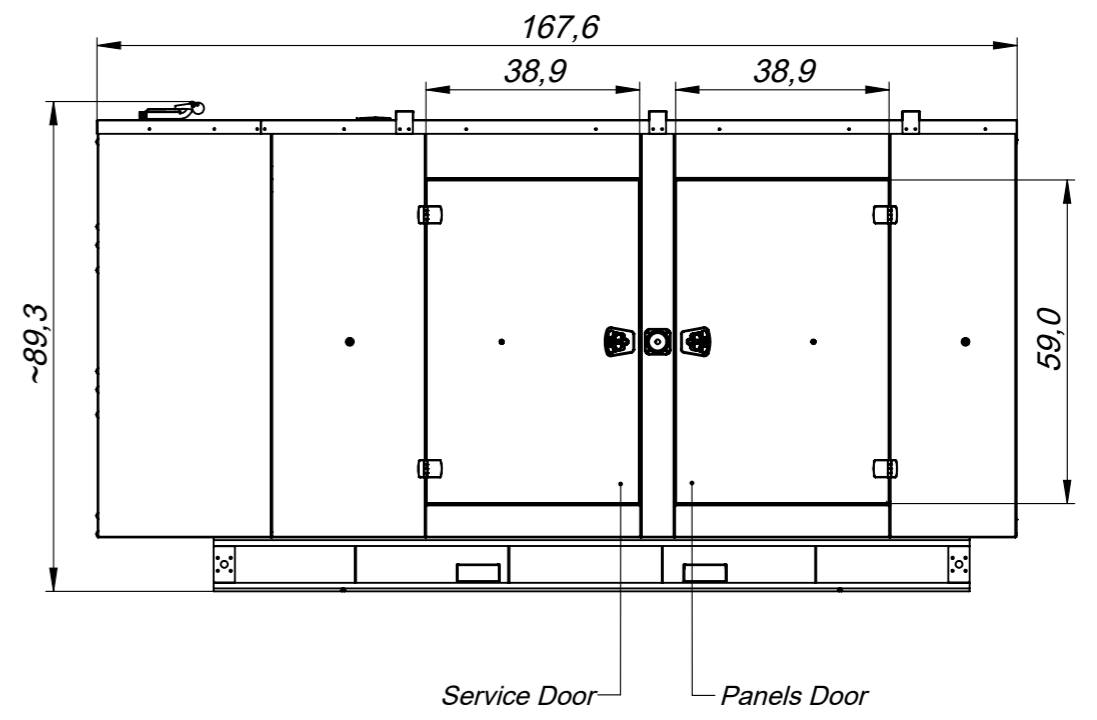
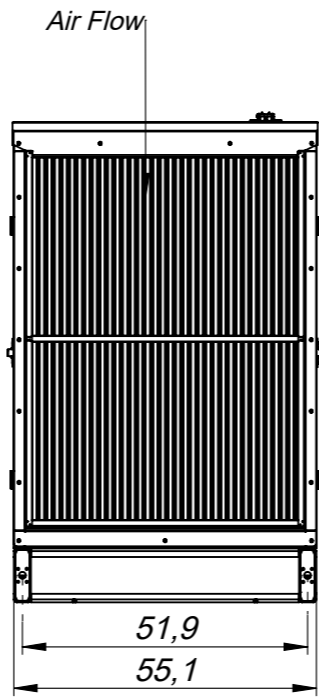
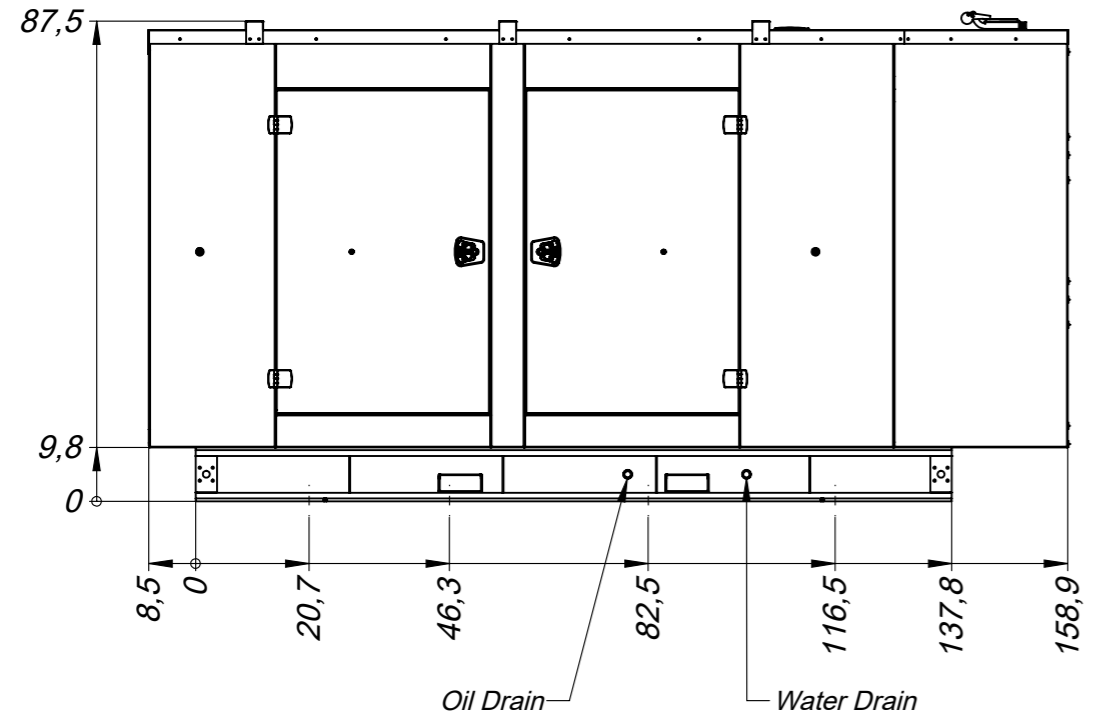
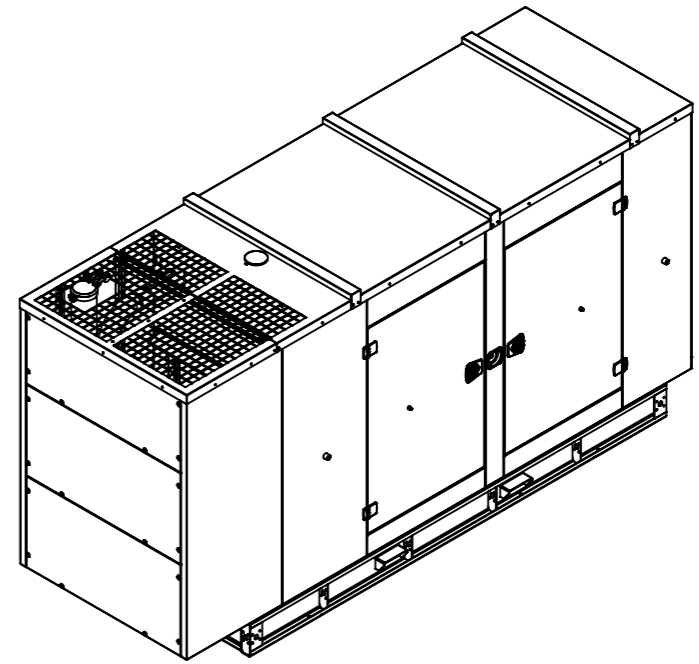
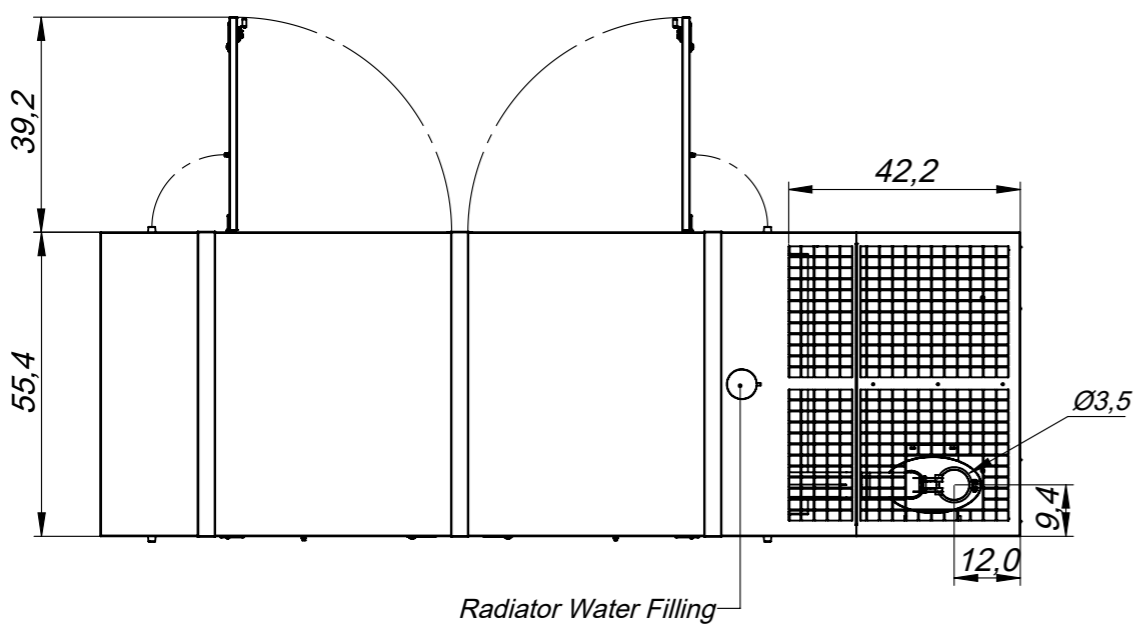


DIMENSIONAL DRAWINGS



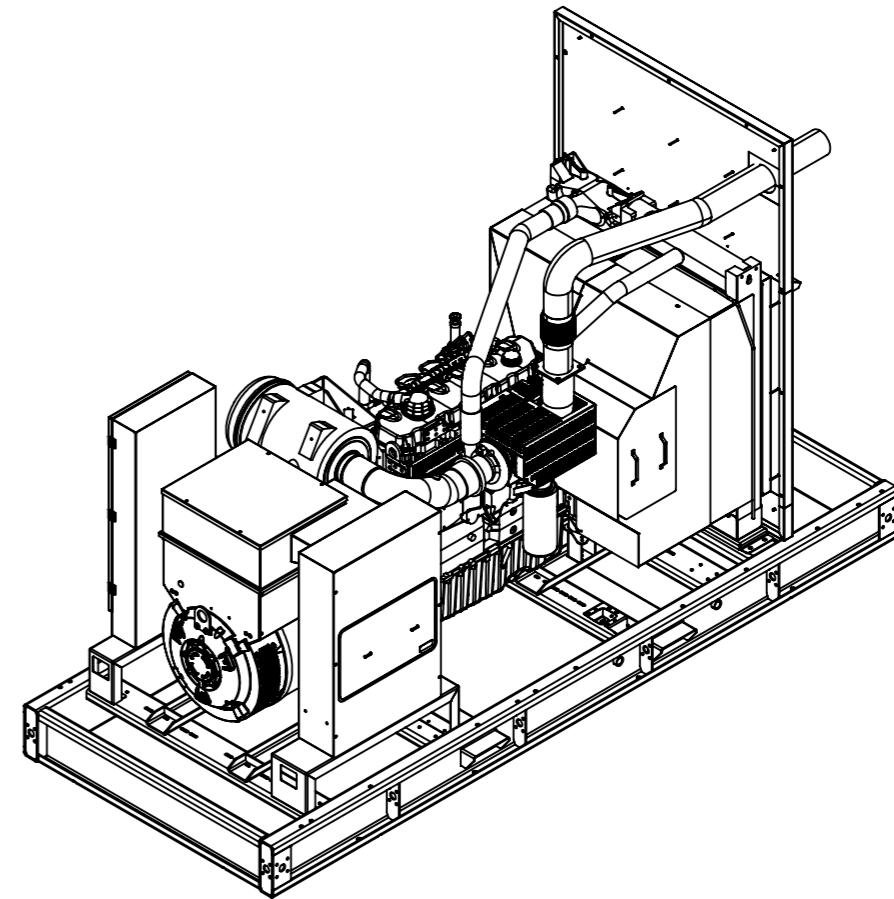
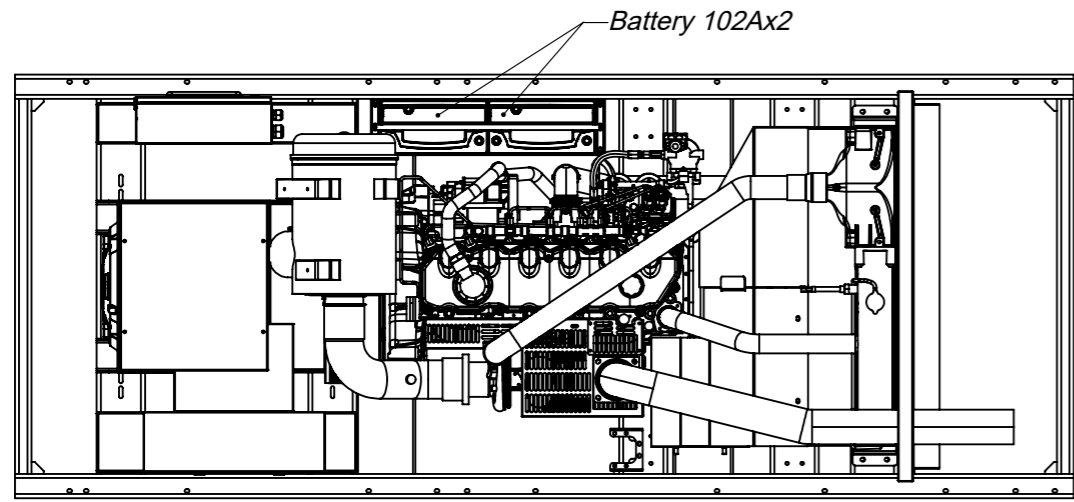
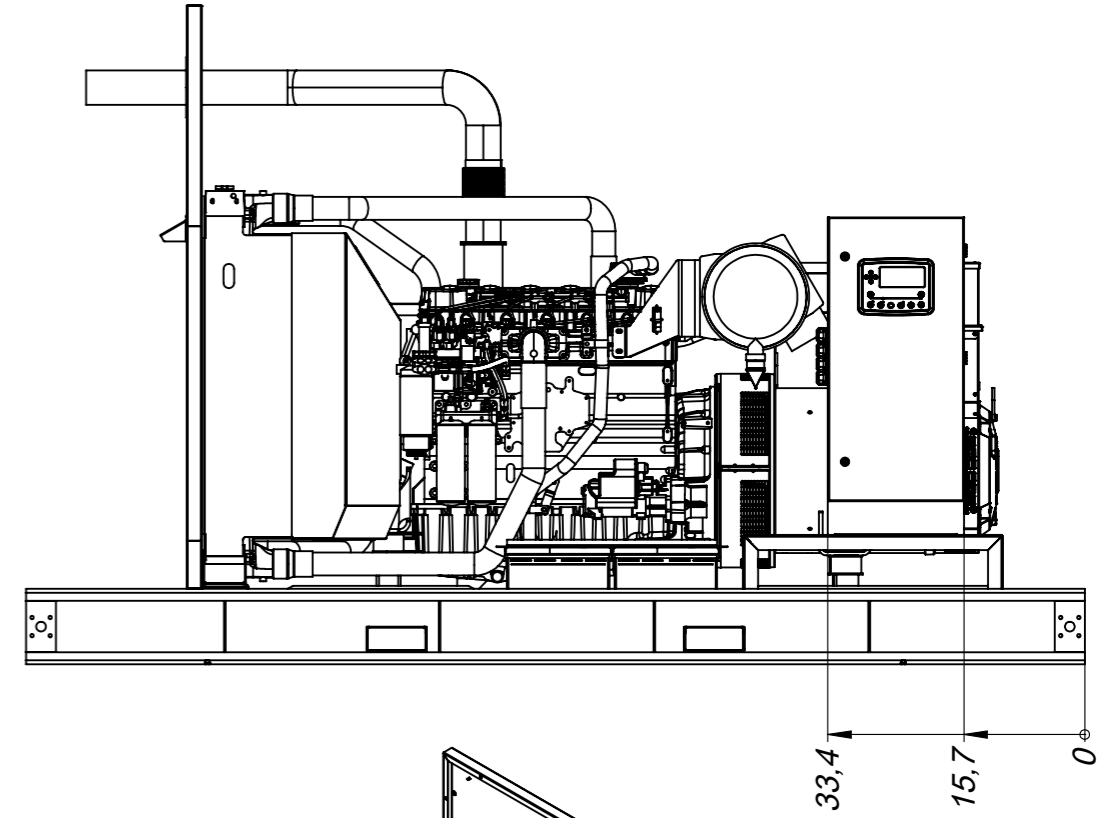
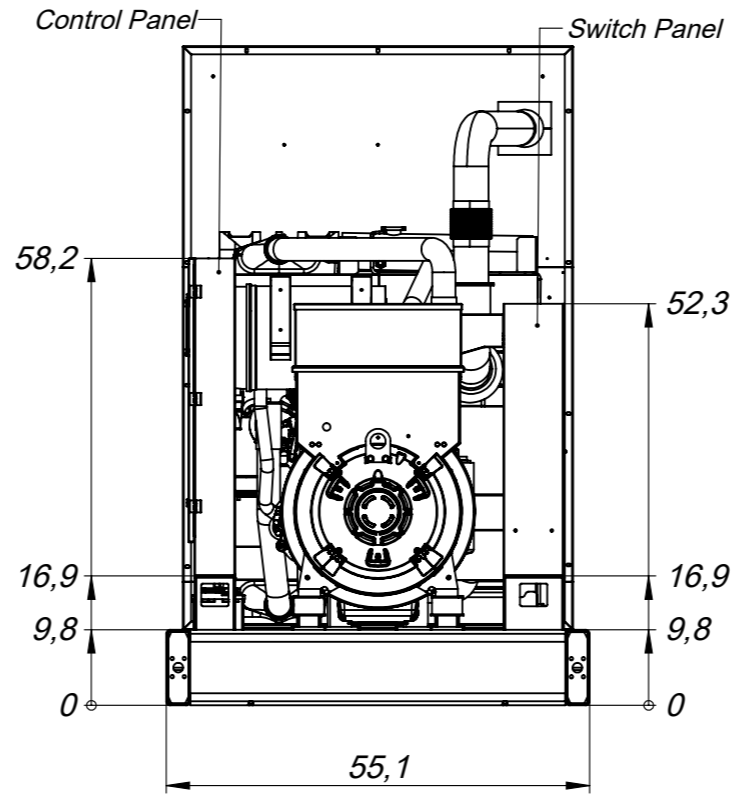
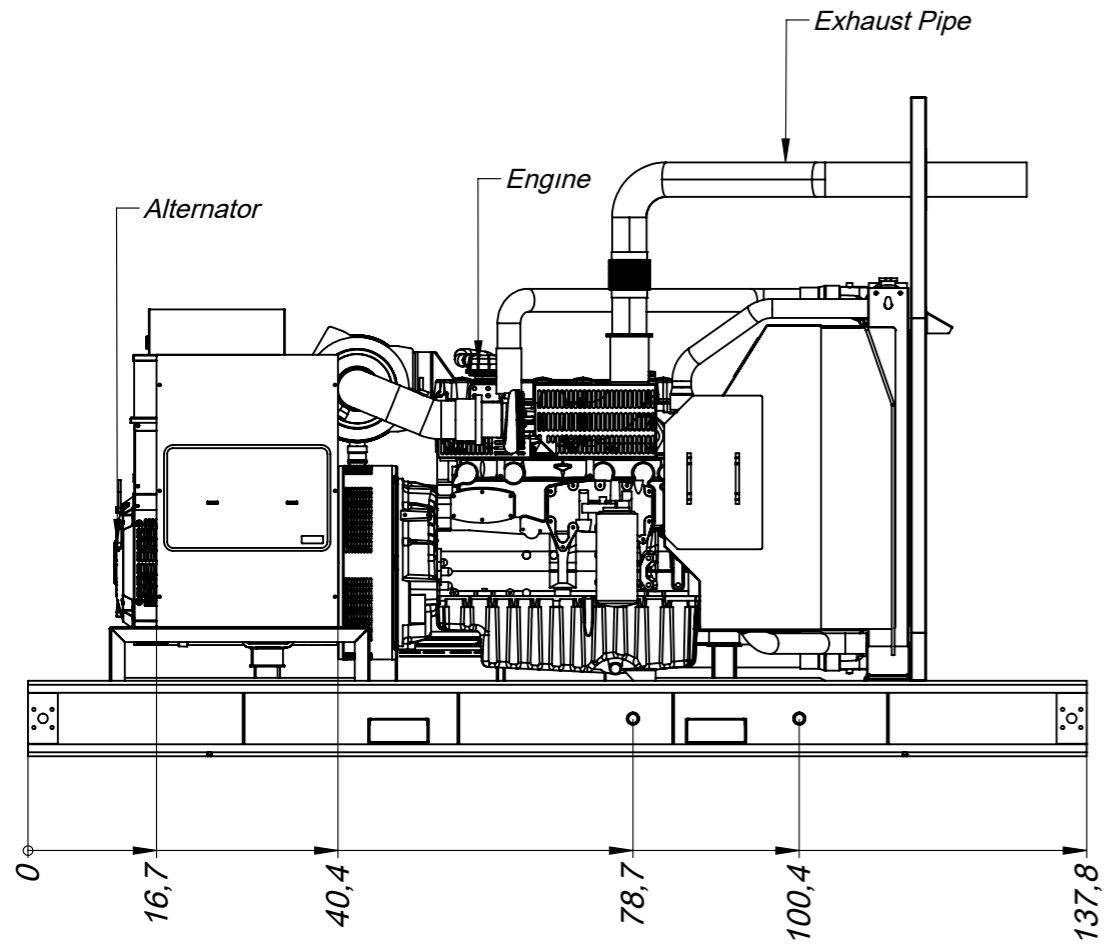
ENGINES
1706D-E93TAG1
1706D-E93TAG2



Do not take measurements based on the drawing.
This illustration may be changed without notice and is for informational purposes only.

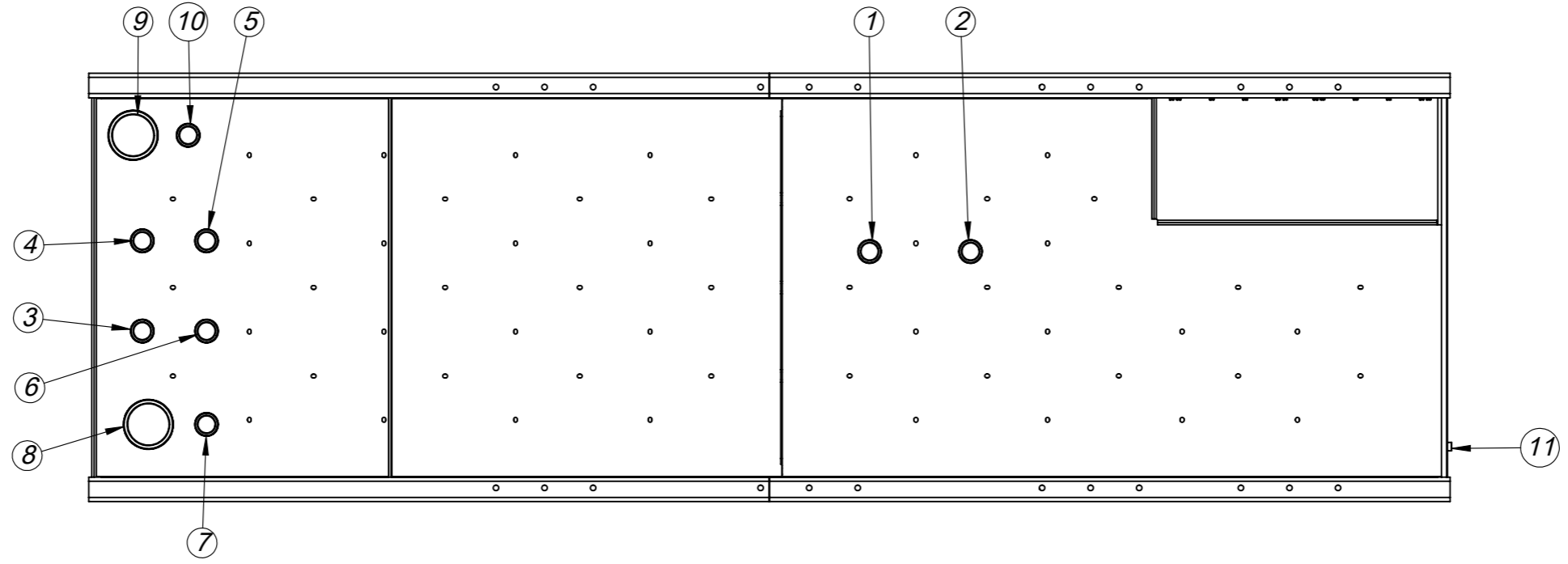
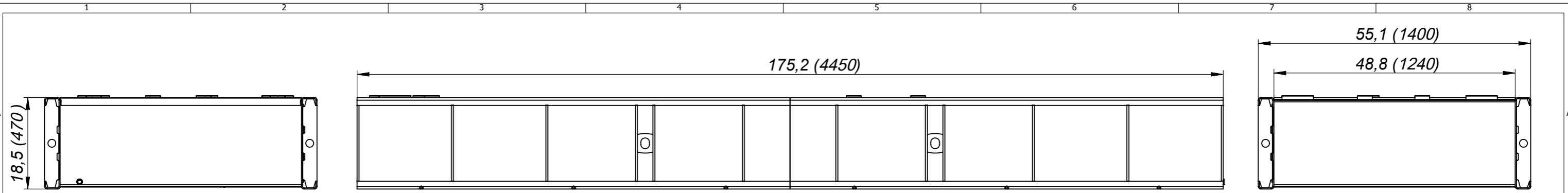
TEKSAN	Tolerances	Name	Date	Document No
	N / A	Eda Bakar	11-01-2024	SM-240185461
	1. Projection Method	Checked	-	Part Code
		Approval	-	-
* - *	Paper Size	Scale	Order No	Rev. No
	A3	1:35	-	-
				Title
				DRAFT

ENGINES
1706D-E93TAG1
1706D-E93TAG2

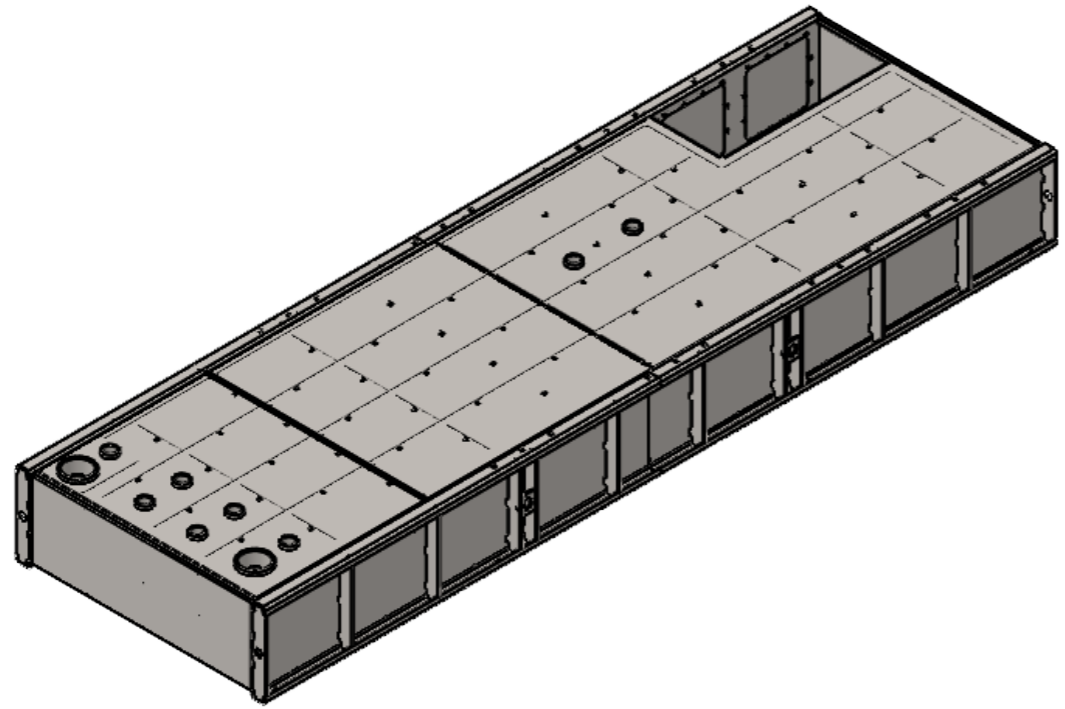


Do not take measurements based on the drawing.
This illustration may be changed without notice and is for informational purposes only.

TEKSAN	Tolerances	Name	Date	Document No
	N / A	Eda Bakar	05-01-2024	SM-240185383
		Melih Gülşen	12-01-2024	Part Code
		-	-	-
* *	1. Projection Method	Approval	Scale	Order No
		-	1:25	-
		Paper Size	Rev. No	Title
		A3	-	DRAFT



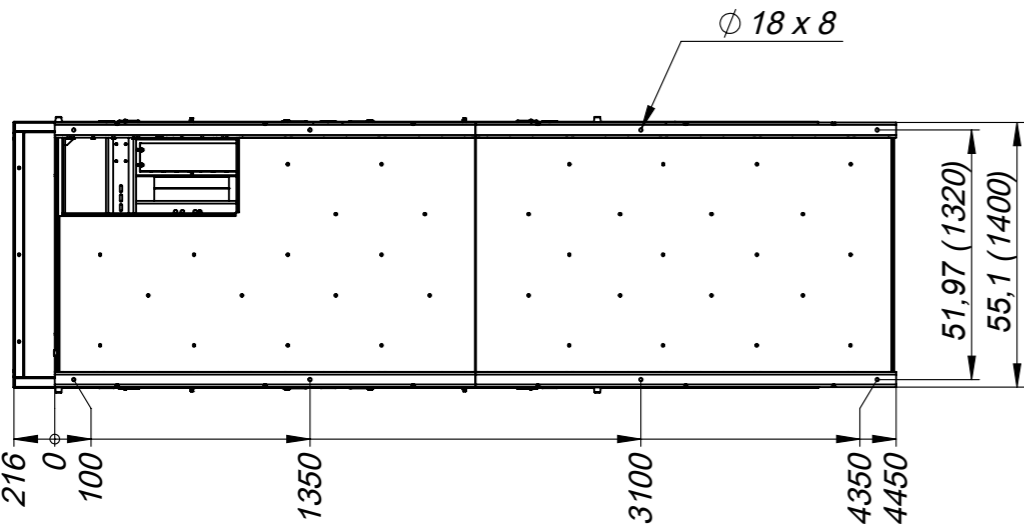
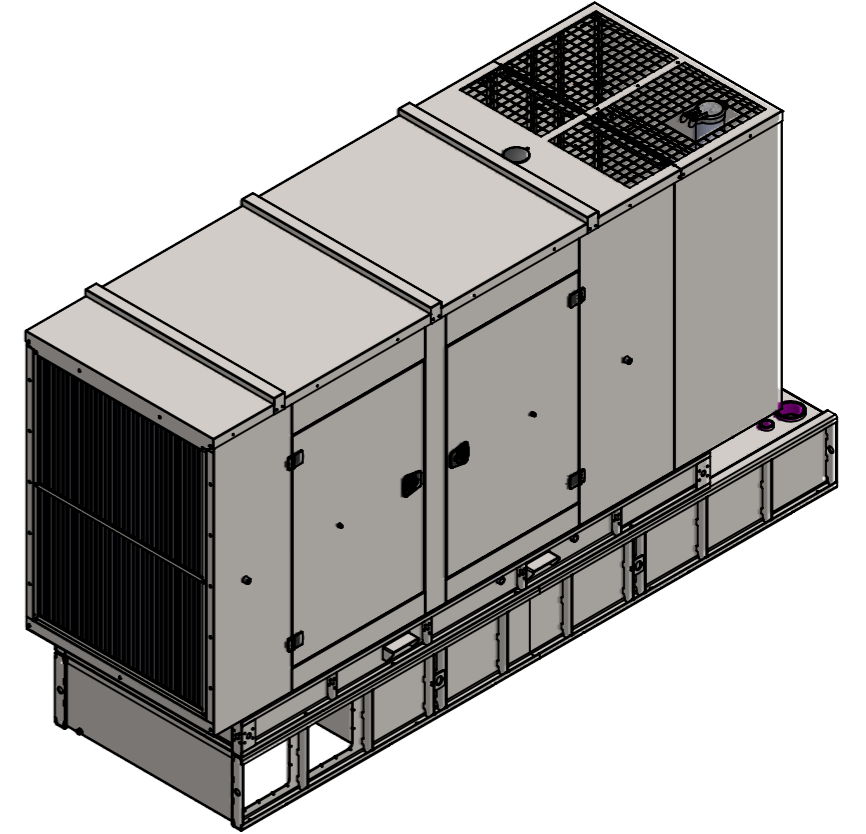
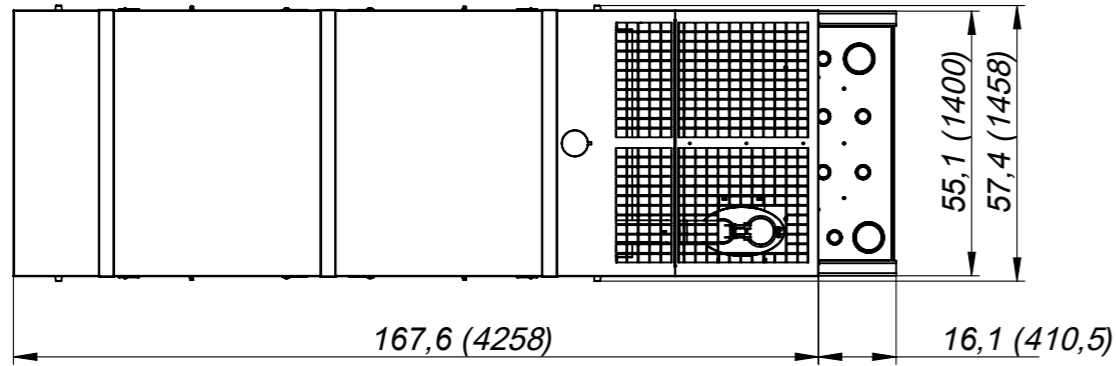
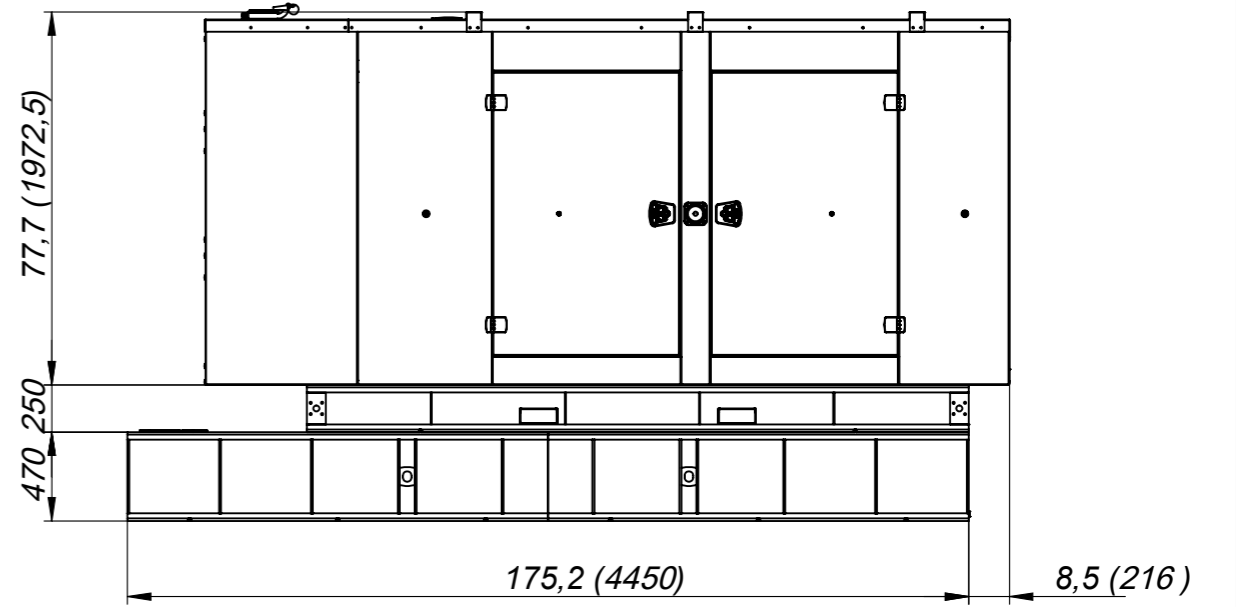
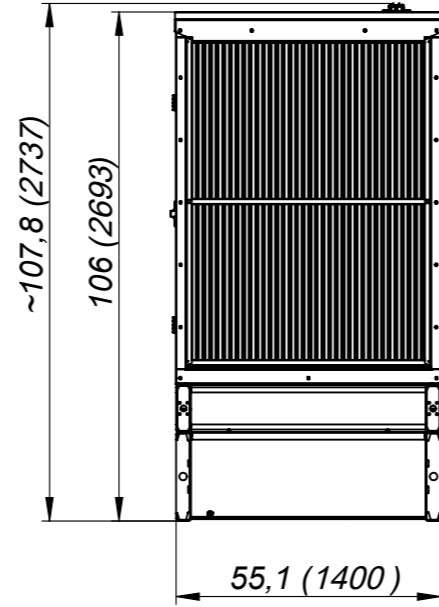
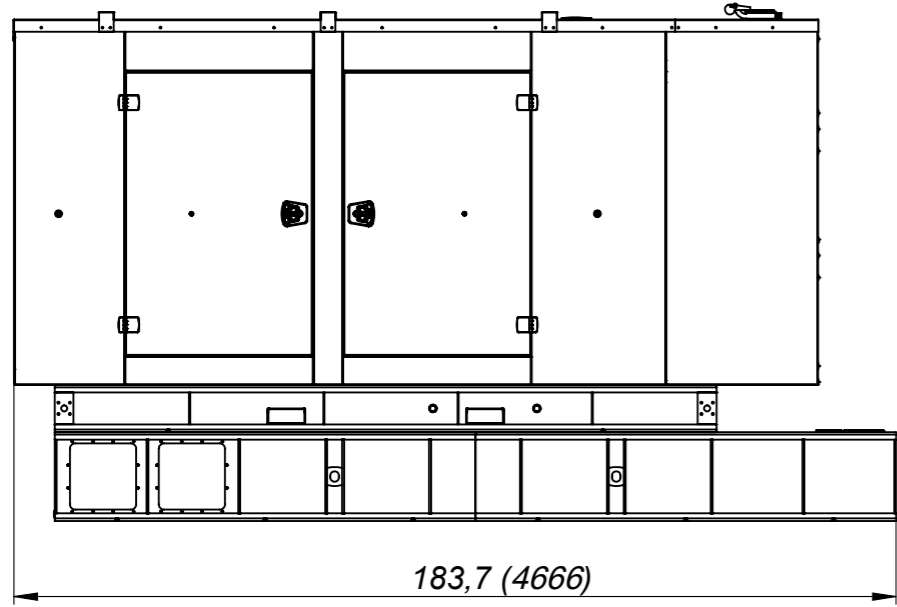
UL 142
GROUP-4 (470 GALLON)
NOTES (PRIMARY STEEL TANK)
 Thickness of tank;
 Lifting Lug & Support Brackets: 10mm
 Primary Tank: 4mm
 Secondary Tank: 6mm
TANK SPECIFICATION
 Shell Material: S235JR
 Coupling Material: ASTM A106



MARK	QUANTITY	SIZE	SPECIFICATION	DESCRIPTION
11	1	1/2" (NPT)	ASTM A105	Secondary Tank Drain
10	1	2" (NPT)	ASTM A105	Leak Detection Coupling
9	1	4" (NPT)	ASTM A105	Secondary Tank E. Vent
8	1	4" (NPT)	ASTM A105	Primary Tank E. Vent
7	1	2" (NPT)	ASTM A105	Normal Vent
6	1	2" (NPT)	ASTM A105	Fuel Low Level Sensor
5	1	2" (NPT)	ASTM A105	Fuel High Level Sensor
4	1	2" (NPT)	ASTM A105	Automatic Tank Gauge
3	1	2" (NPT)	ASTM A105	Filling Coupling
2	1	2" (NPT)	ASTM A105	Return Coupling
1	1	2" (NPT)	ASTM A105	Suction Coupling

TEKSAN	Tolerances	Name	Date	Document No	
	ISO 2768	Yasin Parlak	23-10-2023	SM-231084326	
	1. Projection Method	Checked	Ferhat Nergis	01-12-2023	Part Code
		Approval	Murat Uysal	01-12-2023	-
_	Paper Size	Scale	Order No	Rev. No	
	A3	1:20	-	R00	
				Title	
				DRAFT	

Do not take measurements based on the drawing.
 This illustration may be changed without notice and is for informational purposes only.



	Toleranslar	İsim	Tarih	Ağırlık	Rev. No	Çizim No
	ISO 2768	Çizen: eda.bakar	20-11-2023	4379888.51 gr.	R00	SM-231184684
* - * 	İzduşümü Metodu	Kontrol: eda.bakar	19-12-2023	Yüzey Alanı	Kalınlık	Stok Kodu
	Onay: Goktug Ada	25-12-2023	266200070.46 mm ²	-	-	
	Sayfa: A3	Ölçek: 1:40	Sipariş No	Ebatlar	Tanım:	DRAFT
				1458 x 2823,5 x 4675,4		

Do not take measurements based on the drawing.
This illustration may be changed without notice and is for informational purposes only.