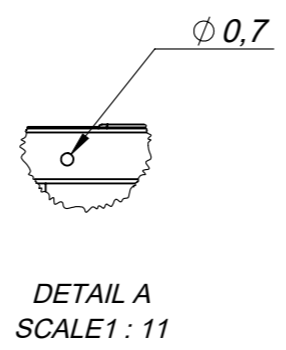
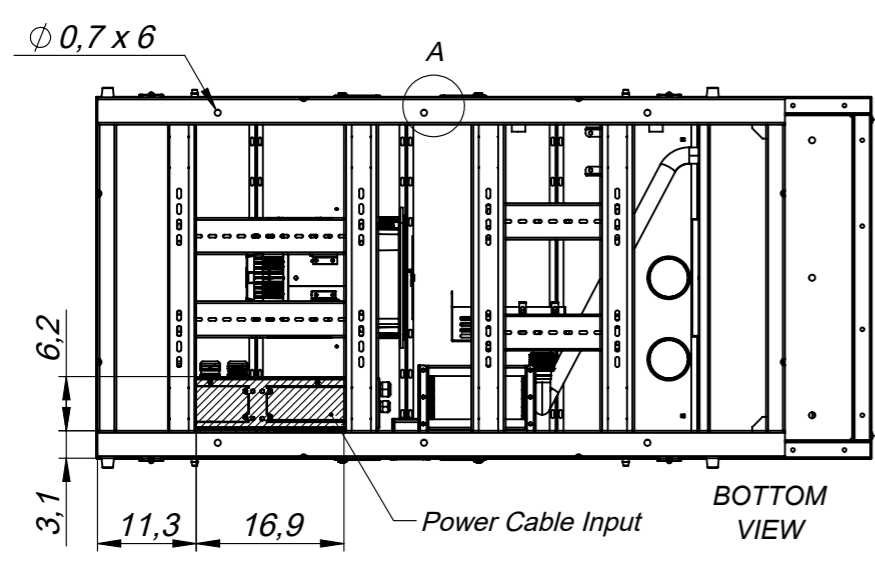
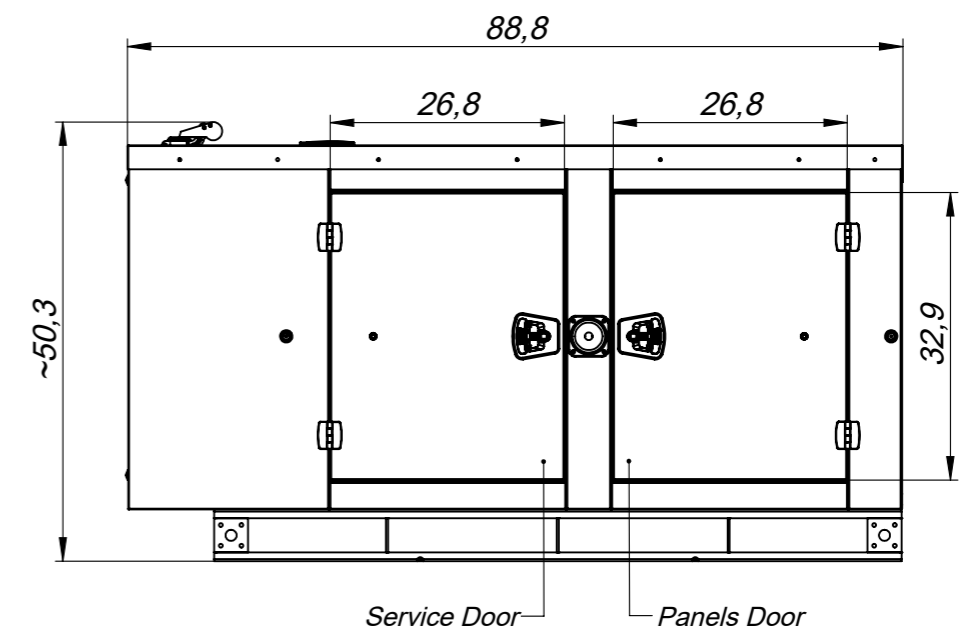
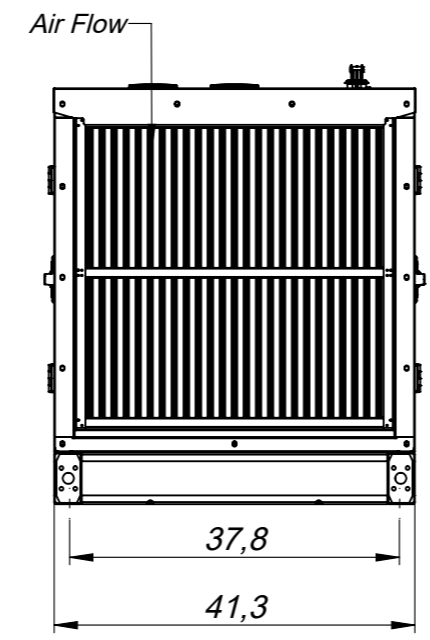
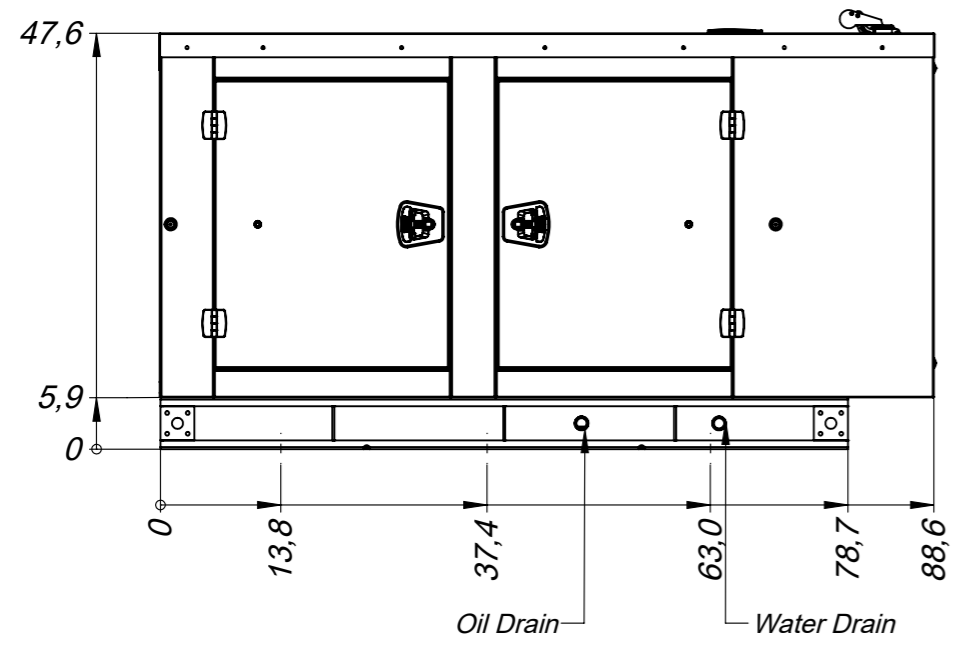
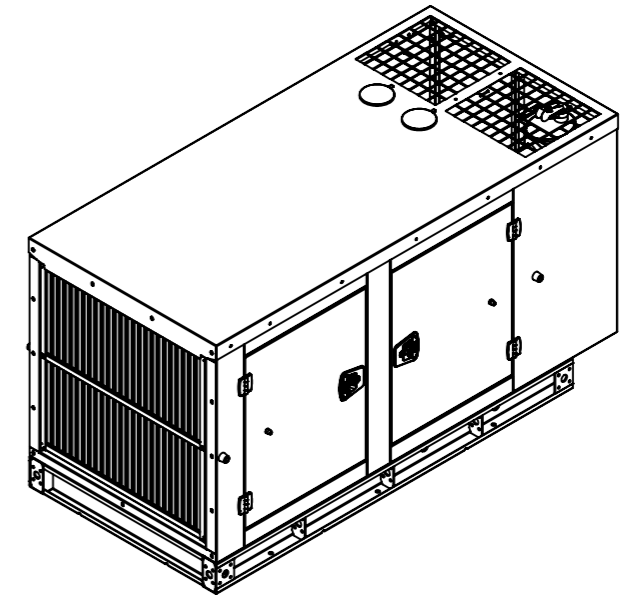
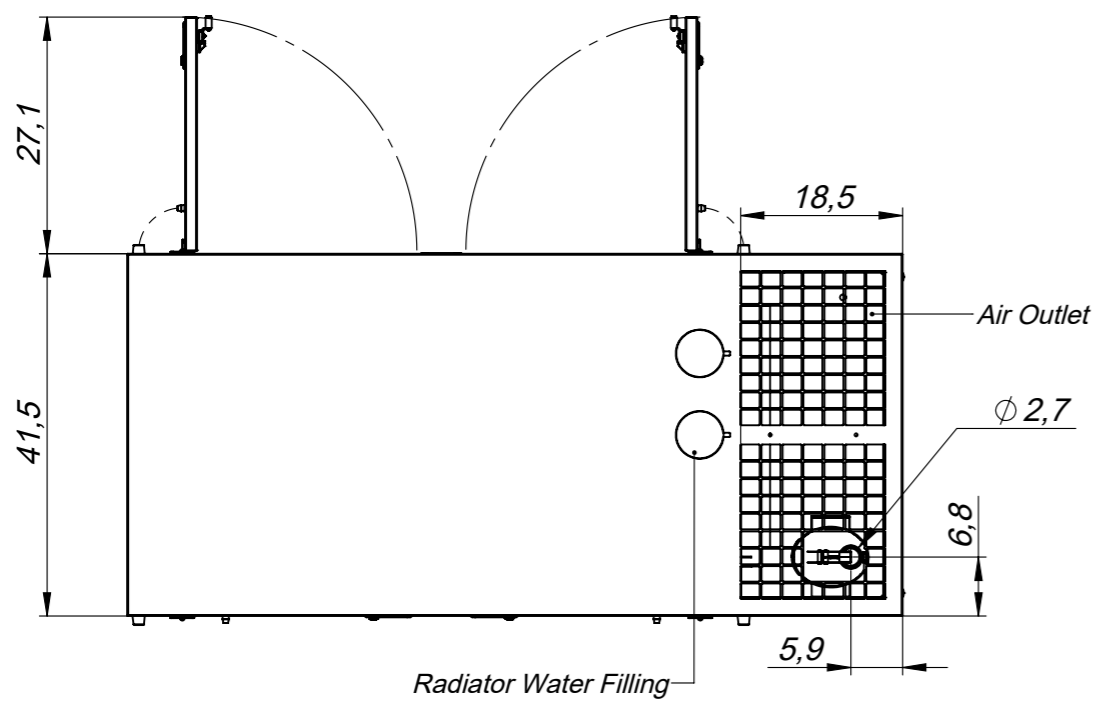


DIMENSIONAL DRAWINGS



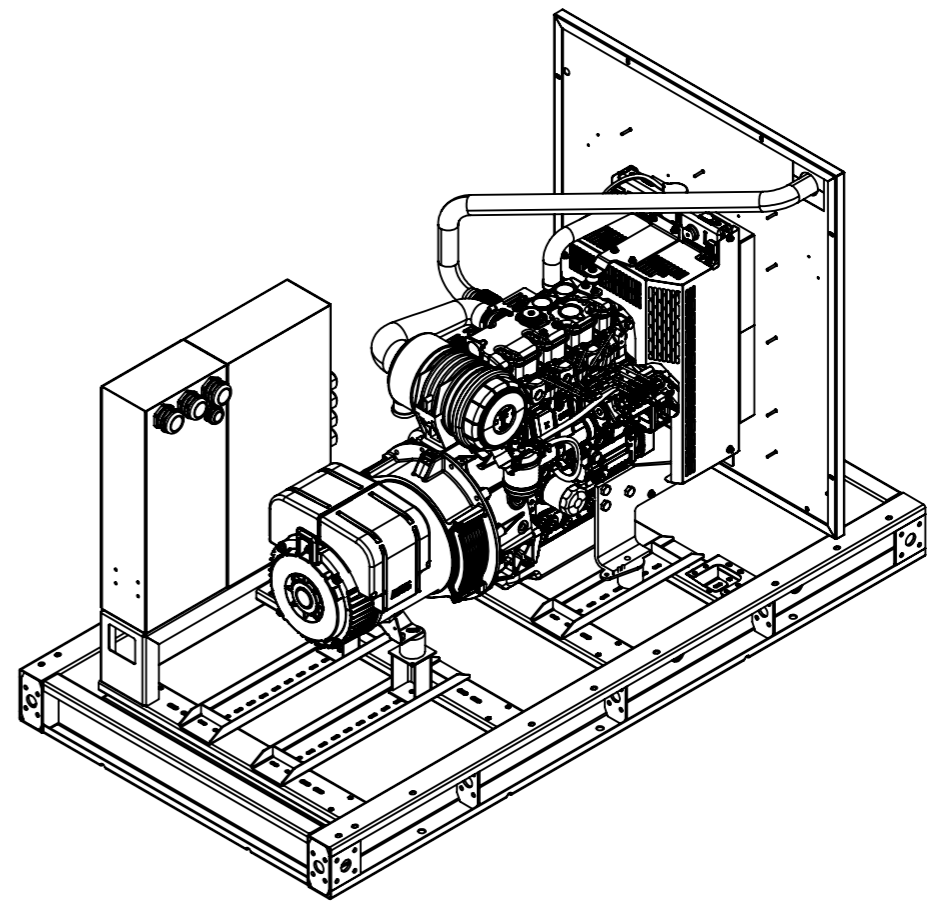
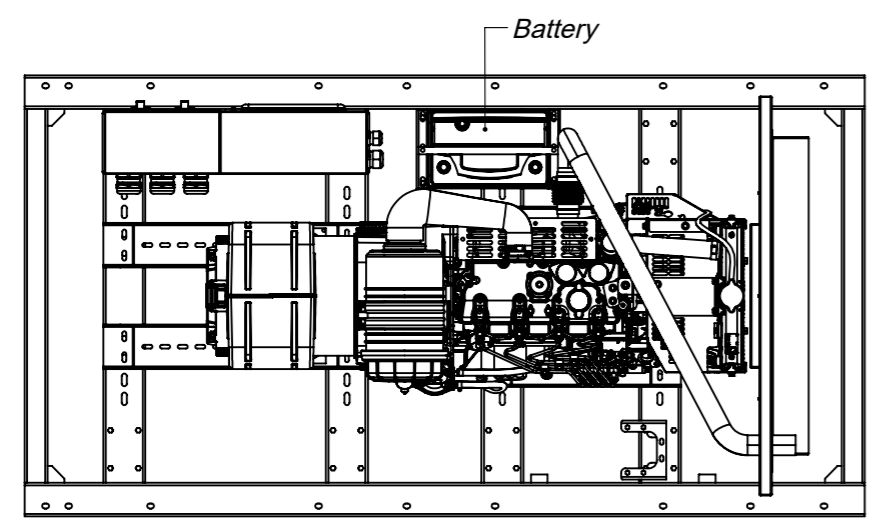
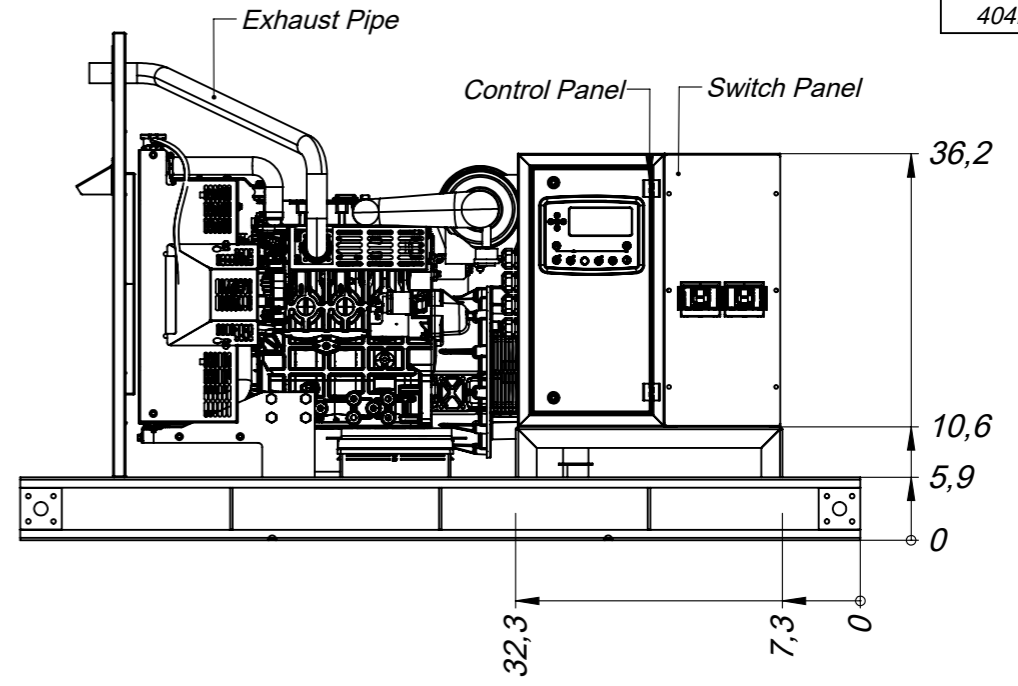
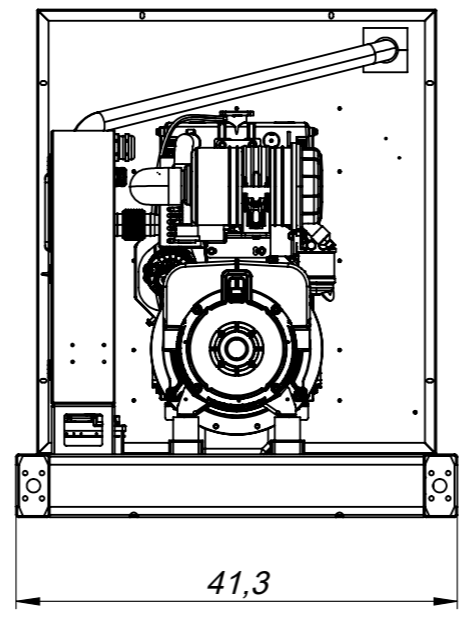
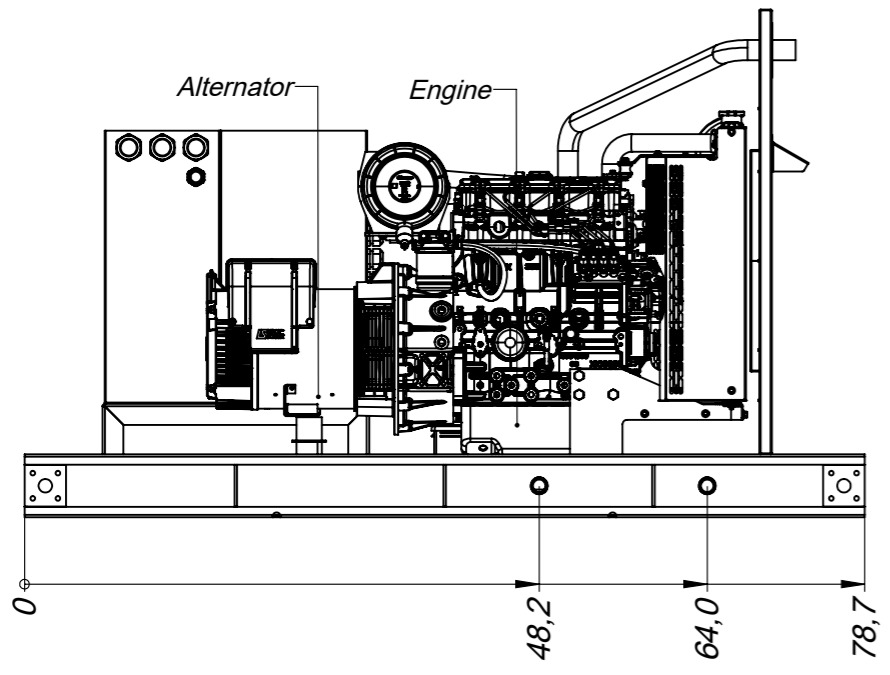
ENGINES
403D-11G
403D-15G
404D-22G
404D-22TG
404D-22TAG



Do not take measurements based on the drawing.
This illustration may be changed without notice and is for informational purposes only.

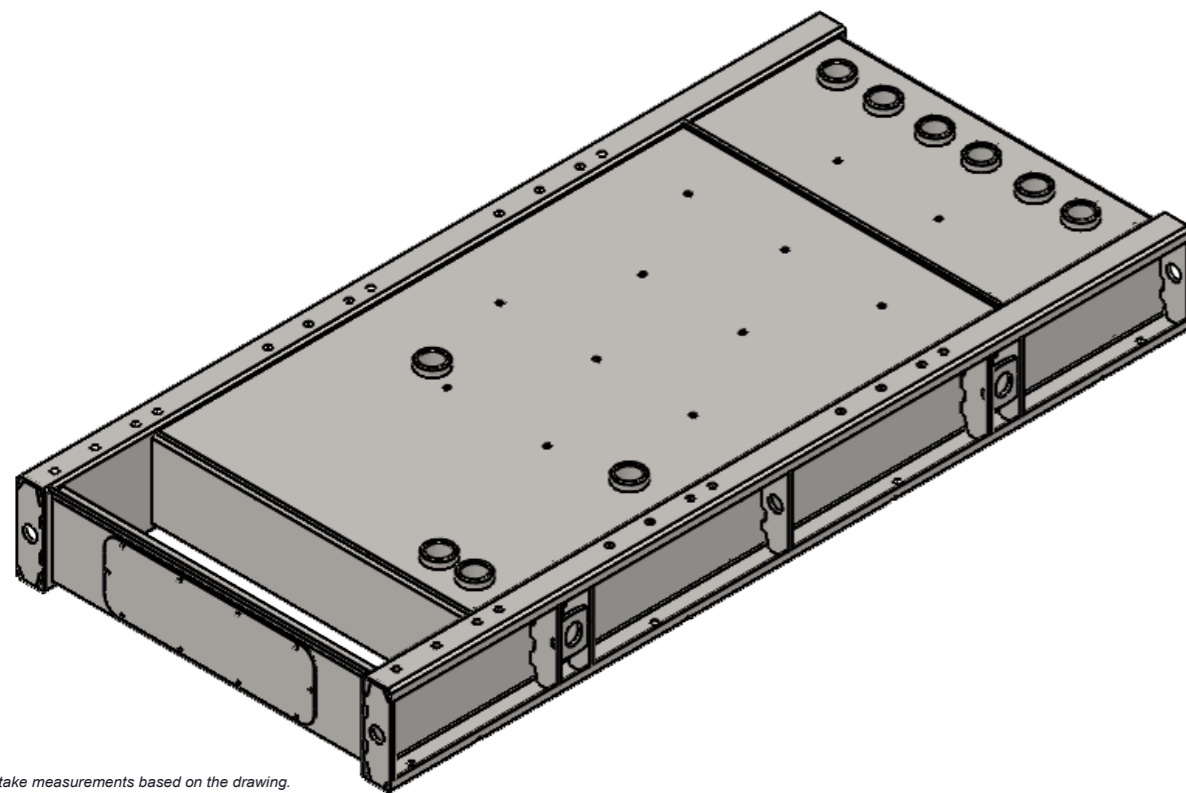
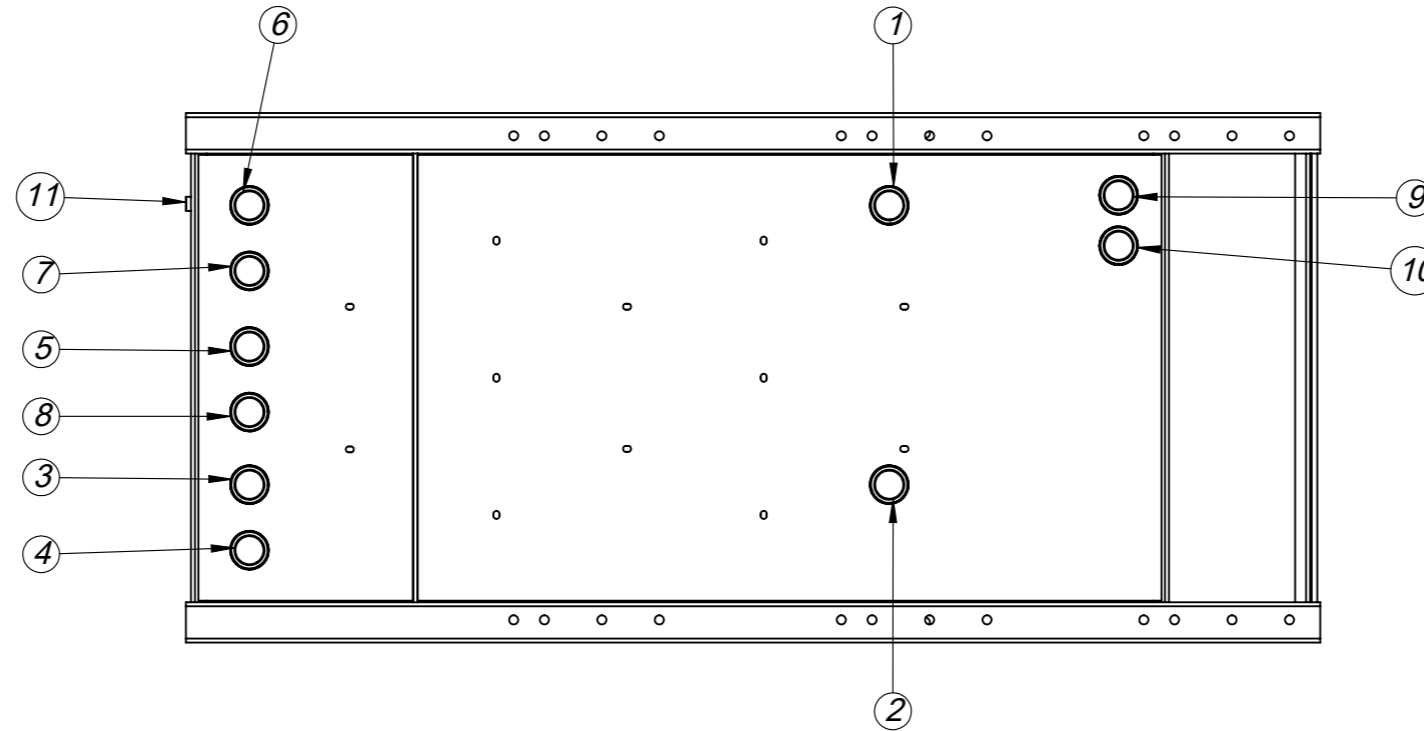
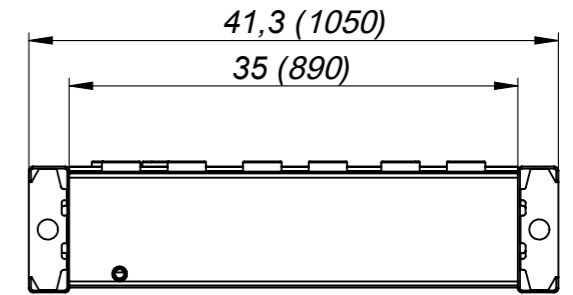
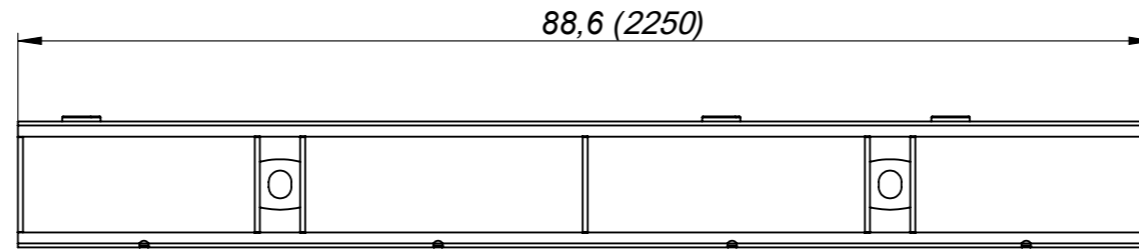
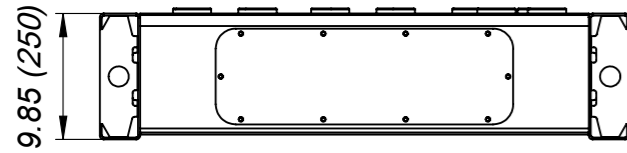
TEKSAN	Tolerances	Name	Date	Document No
	N / A	Melih Gülşen	10-01-2024	SM-240185446
	1. Projection Method	Checked	-	Part Code
		Approval	-	-
* _ *	Paper Size	Scale	Order No	Rev. No
	A3	1:22	-	-
				Title
				DRAFT

ENGINES
403D-11G
403D-15G
404D-22G
404D-22TG
404D-22TAG



Do not take measurements based on the drawing.
This illustration may be changed without notice and is for informational purposes only.

	Tolerances	Name	Date	Document No	
	N / A	Eda Bakar	05-01-2024	SM-240185375	
	1. Projection Method 	Checked	Melih Gülşen	08-01-2024	Part Code
		Approval	buse.bozoglu	08-01-2024	
* _ *	Paper Size	Scale	Order No	Rev. No	
	A3	1:18	-	R00	
				Title	
				DRAFT	



UL 142

GROUP-1 (65 GALLON)

NOTES (PRIMARY STEEL TANK)

Thickness of tank;
Lifting Lug & Support Brackets: 10mm
Primary Tank: 4mm
Secondary Tank: 4mm

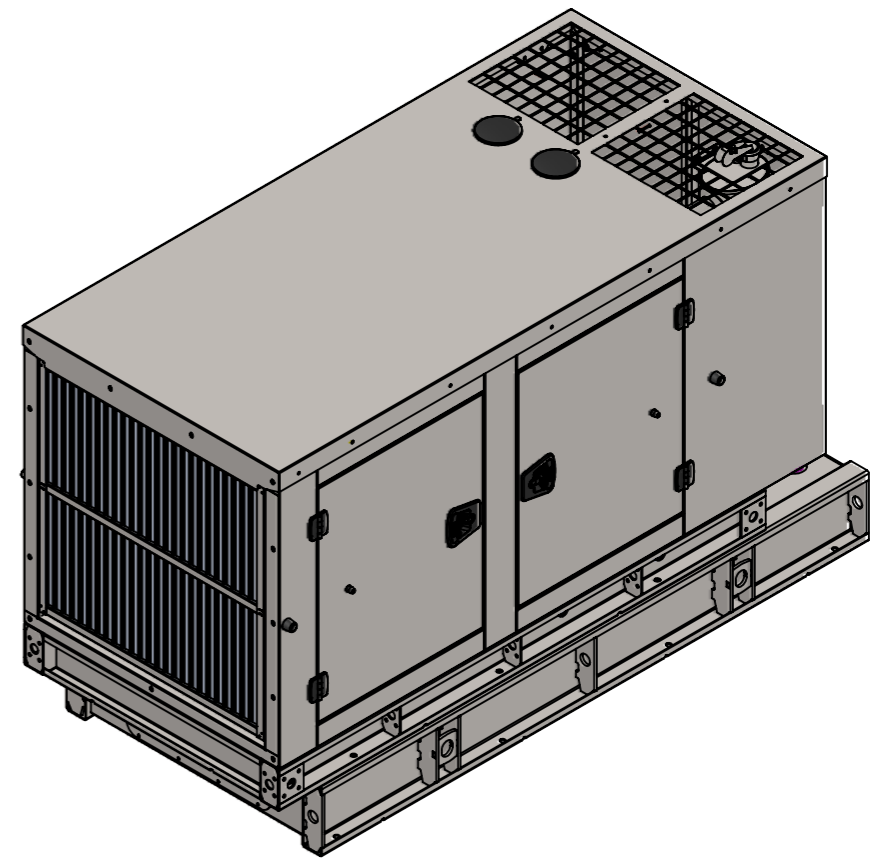
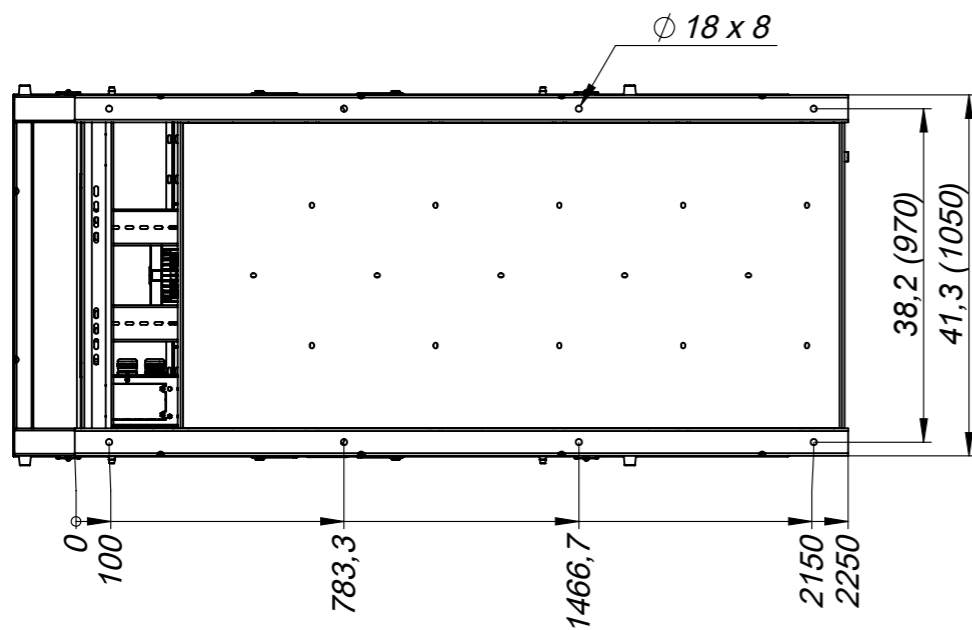
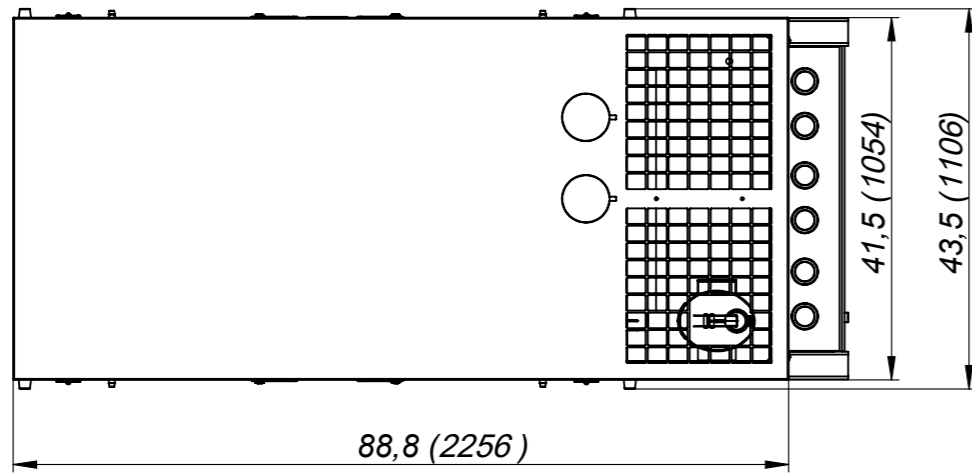
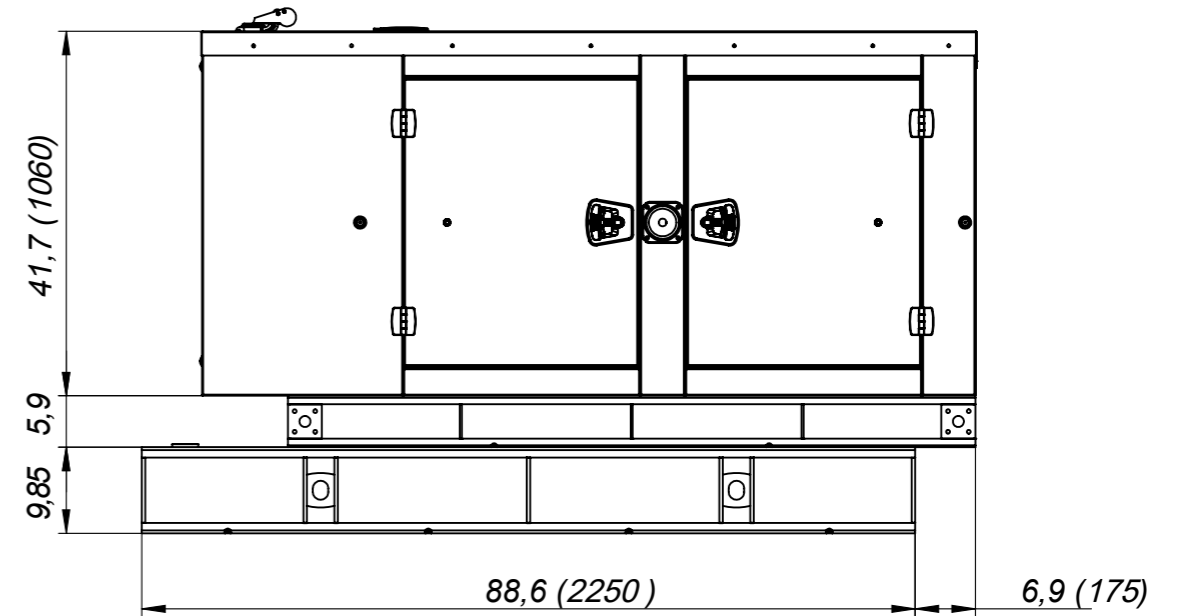
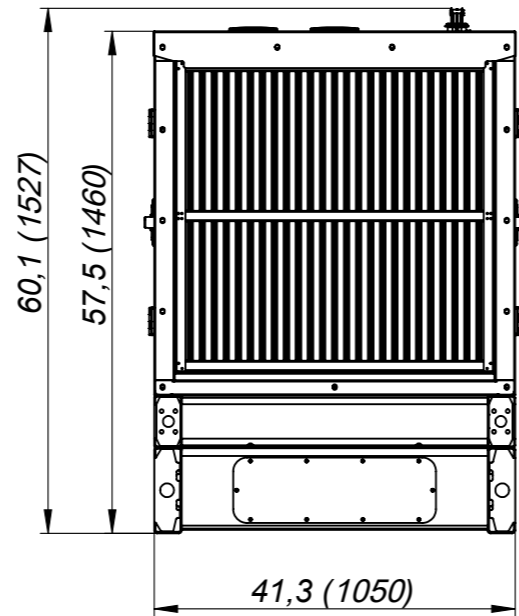
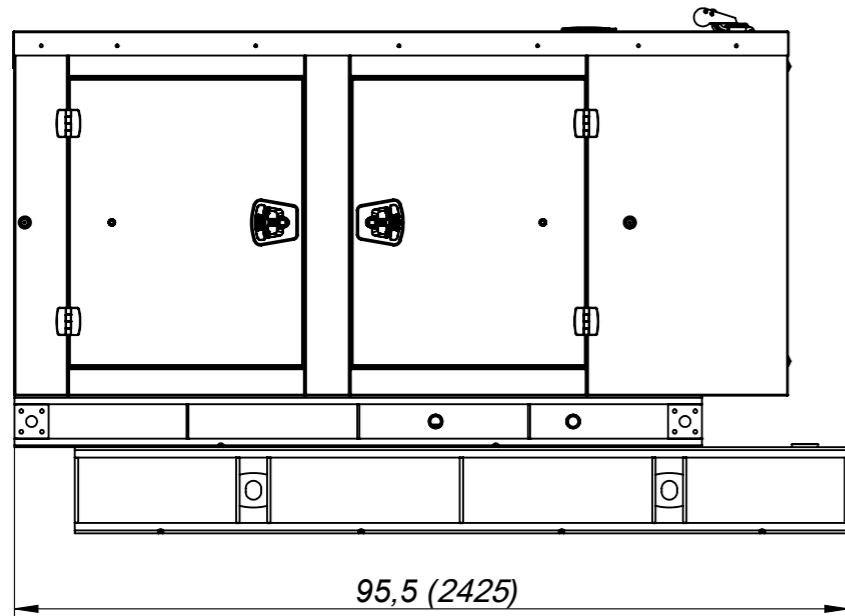
TANK SPECIFICATION

Shell Material: S235JR
Coupling Material: ASTM A106

MARK	QUANTITY	SIZE	SPECIFICATION	DESCRIPTION
11	1	1/2" (NPT)	ASTM A105	Secondary Tank Drain
10	1	2" (NPT)	ASTM A105	Leak Detection Coupling
9	1	2" (NPT)	ASTM A105	Secondary Tank E. Vent
8	1	2" (NPT)	ASTM A105	Primary Tank E. Vent
7	1	2" (NPT)	ASTM A105	Normal Vent
6	1	2" (NPT)	ASTM A105	Fuel Low Level Sensor
5	1	2" (NPT)	ASTM A105	Fuel High Level Sensor
4	1	2" (NPT)	ASTM A105	Automatic Tank Gauge
3	1	2" (NPT)	ASTM A105	Filling Coupling
2	1	2" (NPT)	ASTM A105	Return Coupling
1	1	2" (NPT)	ASTM A105	Suction Coupling

TEKSAN	Tolerances	Name	Date	Document No	
	ISO 2768	Yasin Parlak	30-03-2023	SM-230381129	
	_ 1. Projection Method	Checked	Ferhat Nergis	29-11-2023	Part Code
		Approval	Murat Uysal	30-11-2023	-
_ 1. Projection Method	Paper Size	Scale	Order No	Rev. No	
	A3	1:15	-	R00	
				DRAFT	

Do not take measurements based on the drawing.
This illustration may be changed without notice and is for informational purposes only.



BOTTOM VIEW

Do not take measurements based on the drawing.
This illustration may be changed without notice and is for informational purposes only.

	Tolerances	Name	Date	Document No
	ISO 2768	Drawn melih.gulsen	30-11-2023	SM-231184820
	1. Projection Method 	Checked melih.gulsen	01-12-2023	Part Code
		Approval Goktug Ada	01-12-2023	-
* - *	Paper Size	Scale	Order No	Rev. No
	A3	1:22	-	R00
				Title
				DRAFT