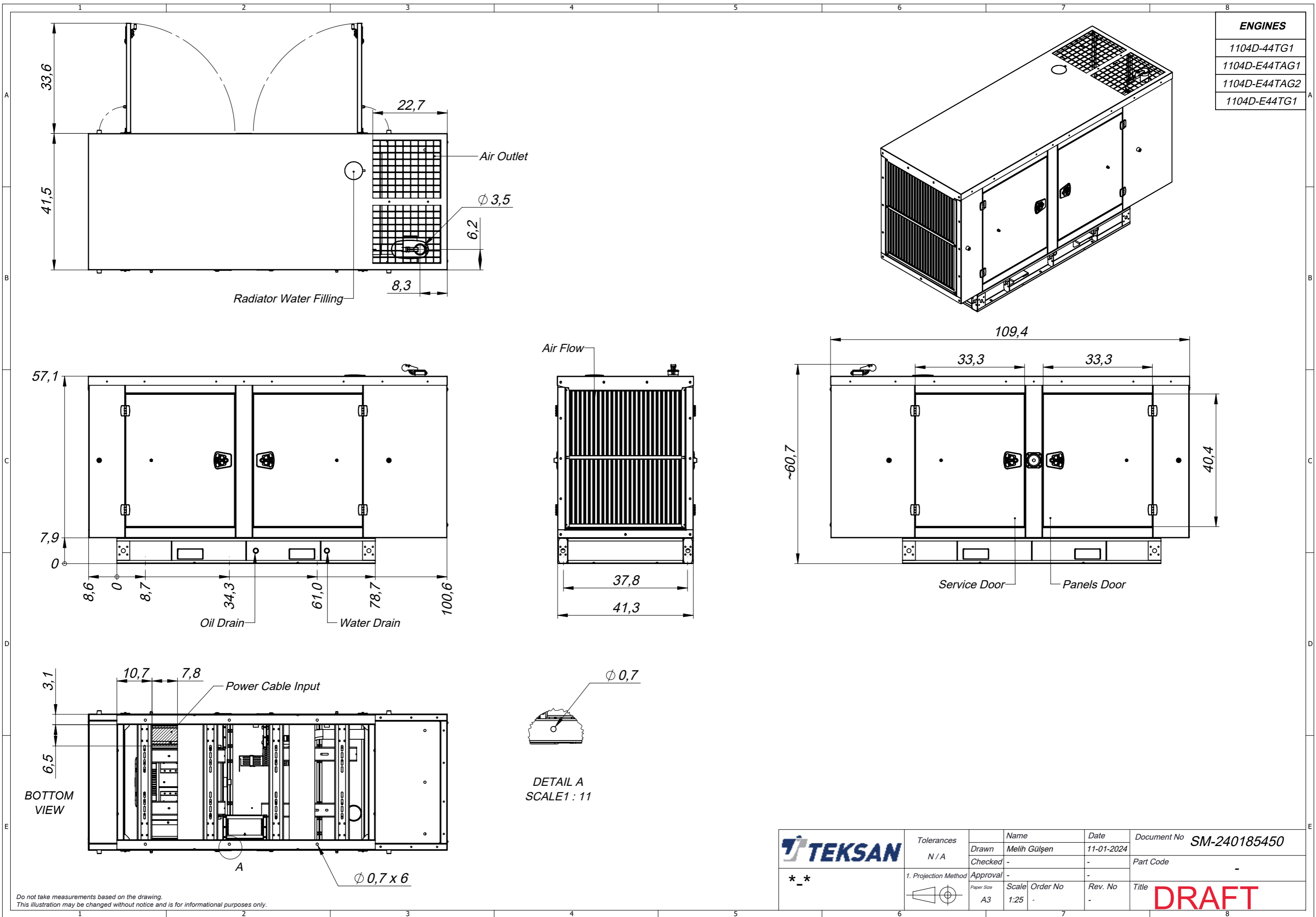


DIMENSIONAL DRAWINGS

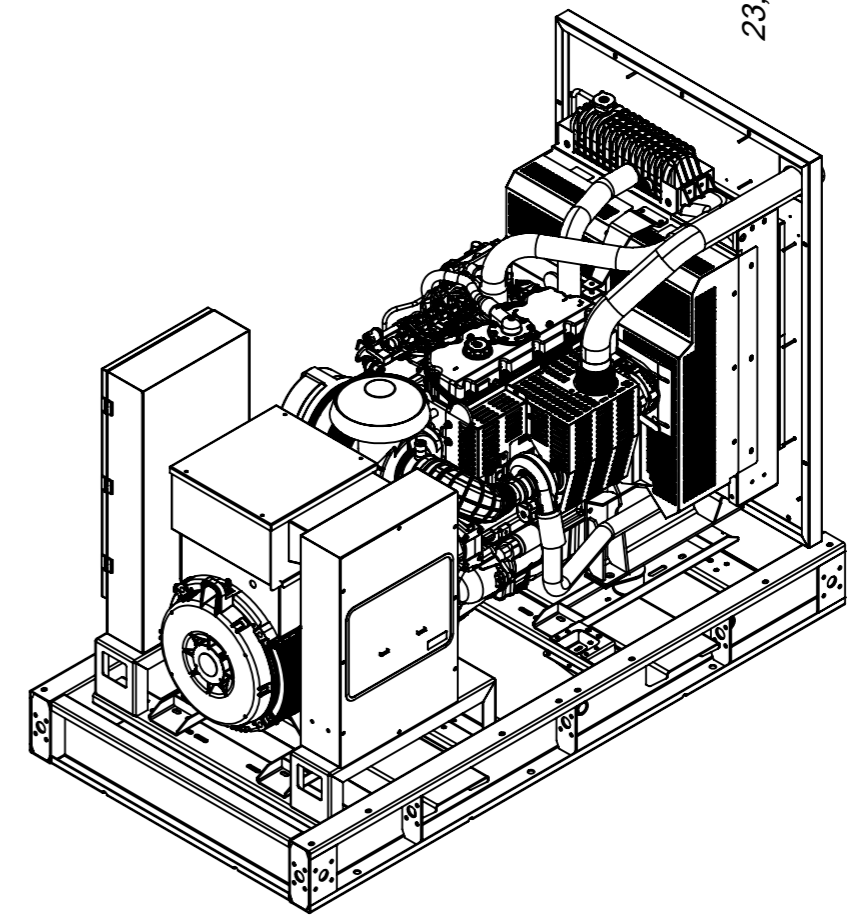
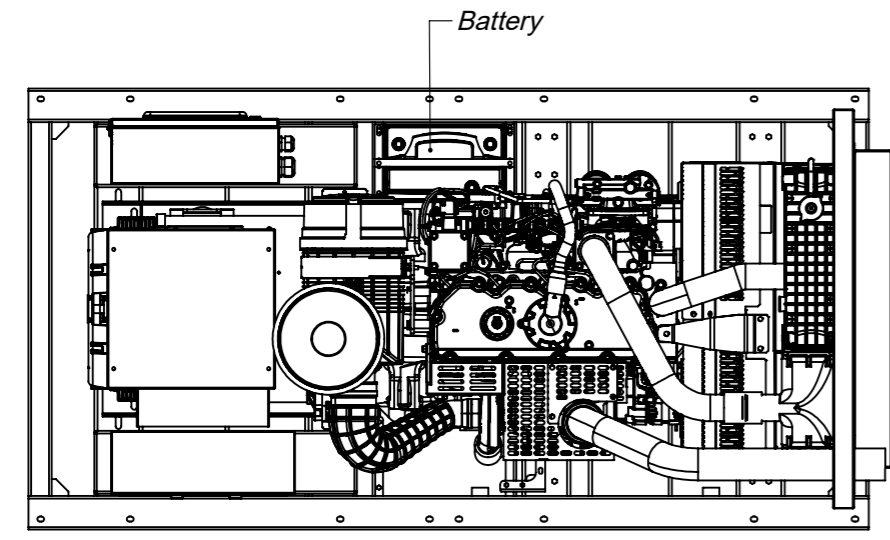
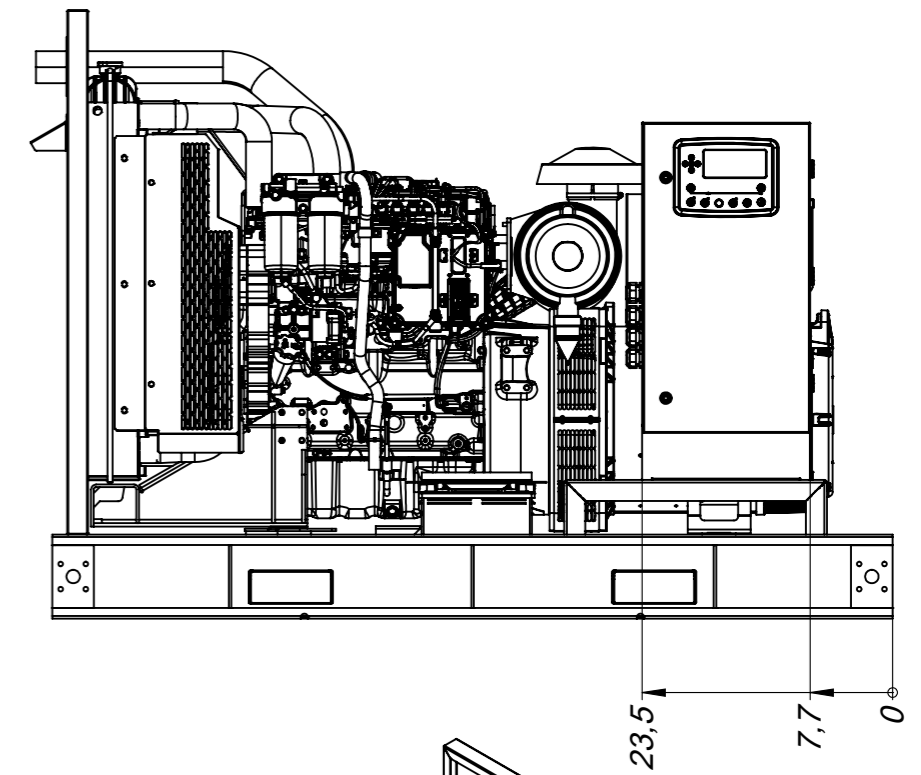
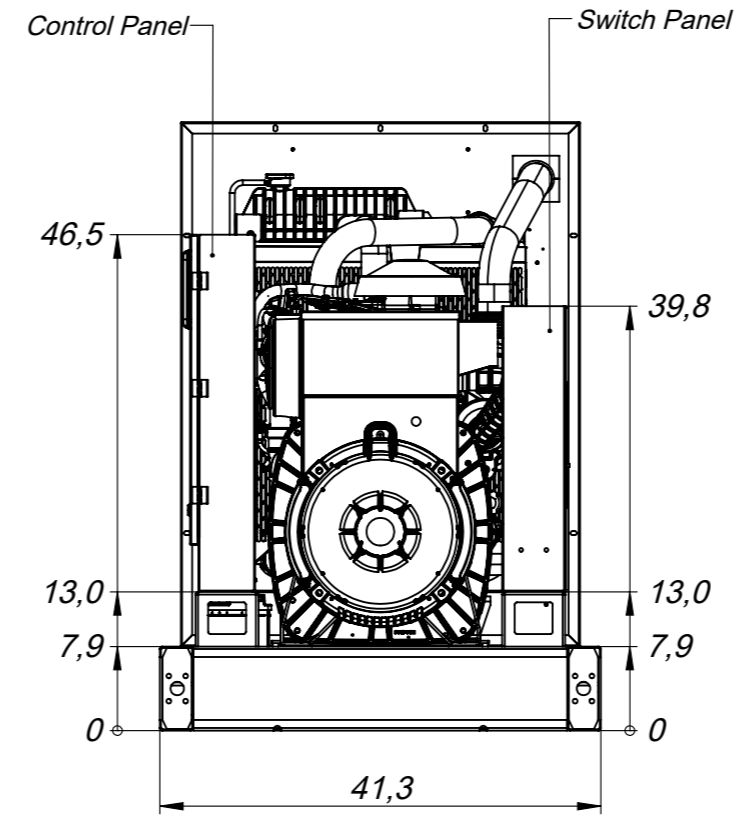
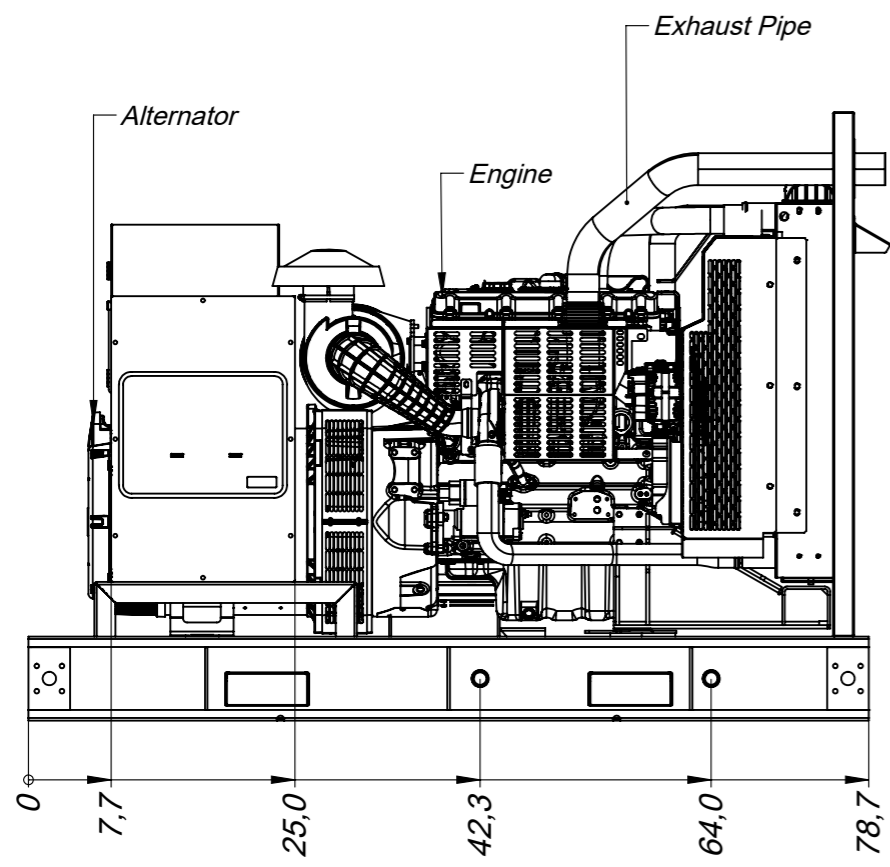




Do not take measurements based on the drawing.
This illustration may be changed without notice and is for informational purposes only.

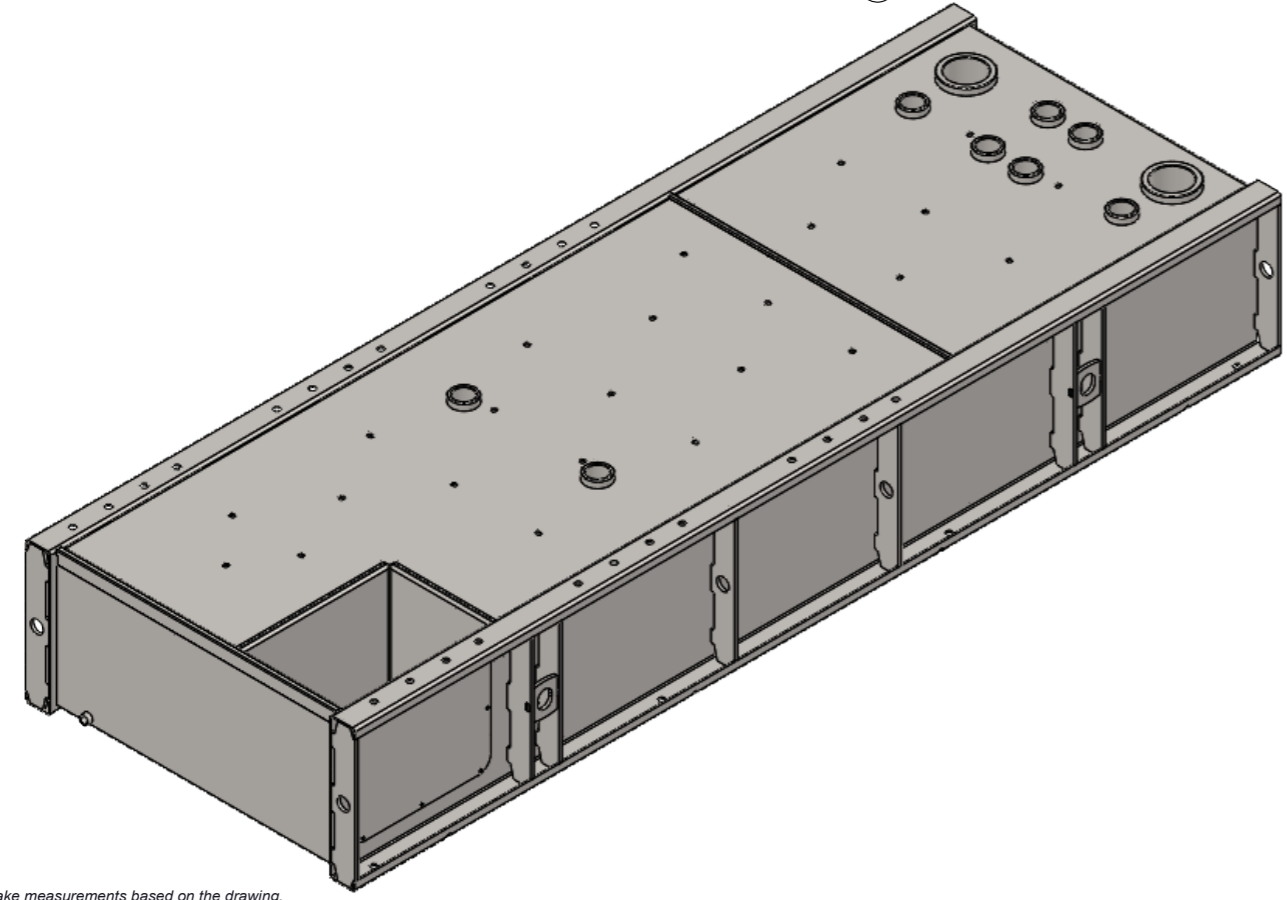
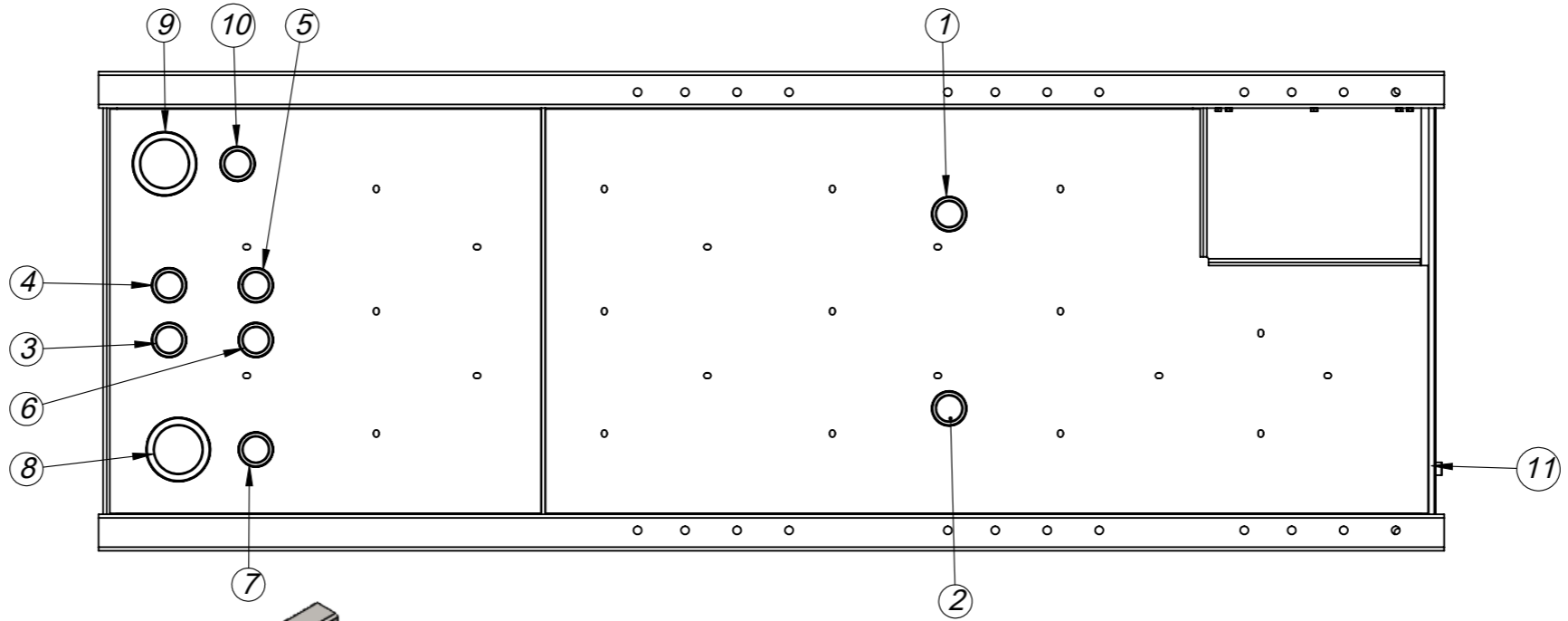
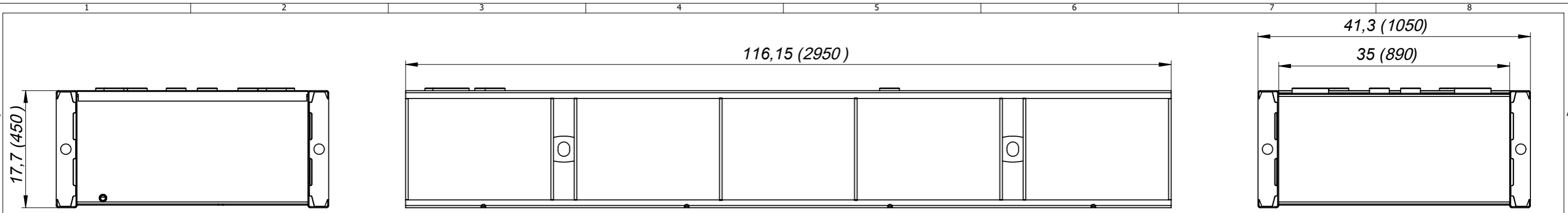
	Tolerances	Name	Date	Document No
	N / A	Melih Gülşen	11-01-2024	SM-240185450
	1. Projection Method	Checked	-	Part Code
_	Approval	-	-	-
	Paper Size	Scale	Order No	Rev. No
	A3	1:25	-	-
				Title
				DRAFT

ENGINES
1104D-44TG1
1104D-E44TAG1
1104D-E44TAG2
1104D-E44TG1



Do not take measurements based on the drawing.
This illustration may be changed without notice and is for informational purposes only.

	Tolerances	Name	Date	Document No
	N / A	Drawn melih.gulsen	16-11-2023	SM-231184651
	1. Projection Method 	Checked Melih Gülşen	27-12-2023	Part Code
		Approval Goktug Ada	27-12-2023	-
* _ *	Paper Size	Scale	Order No	Rev. No
	A3	1:18	-	R02
				Title
				DRAFT

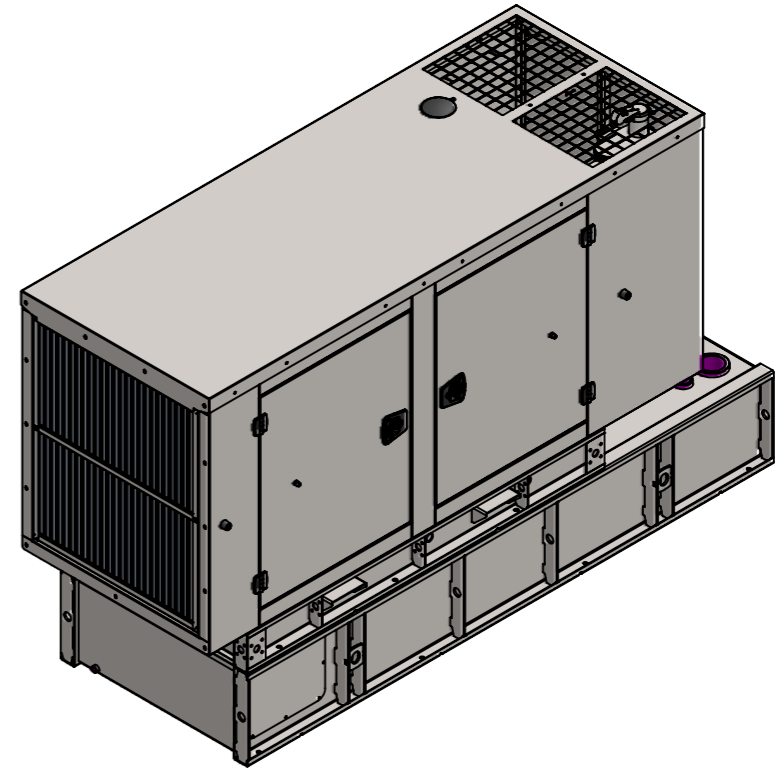
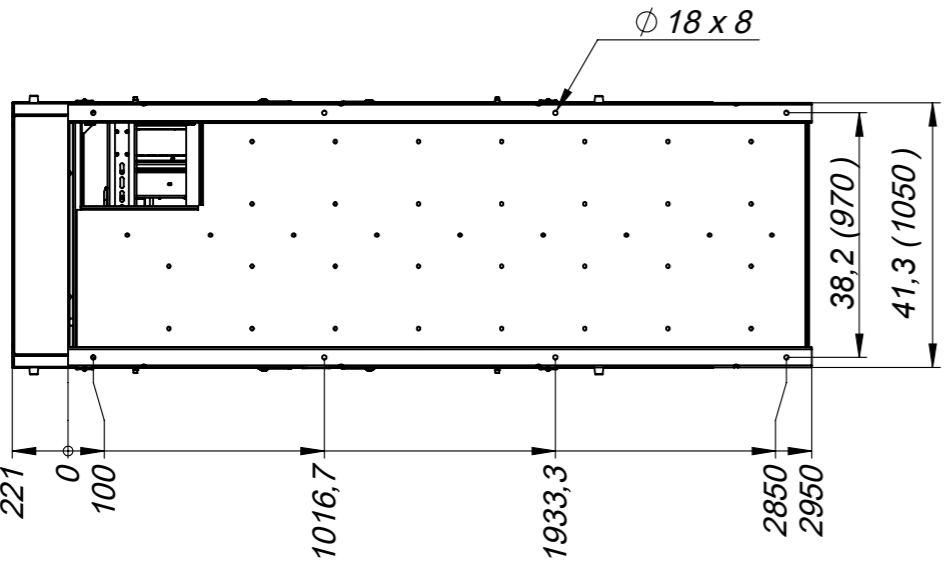
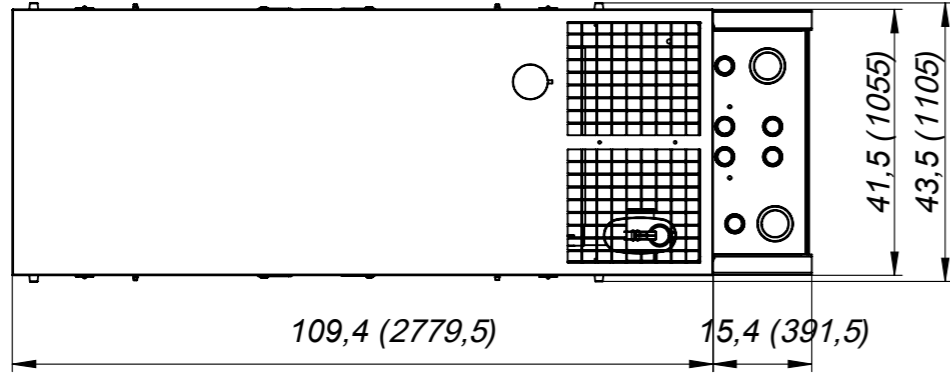
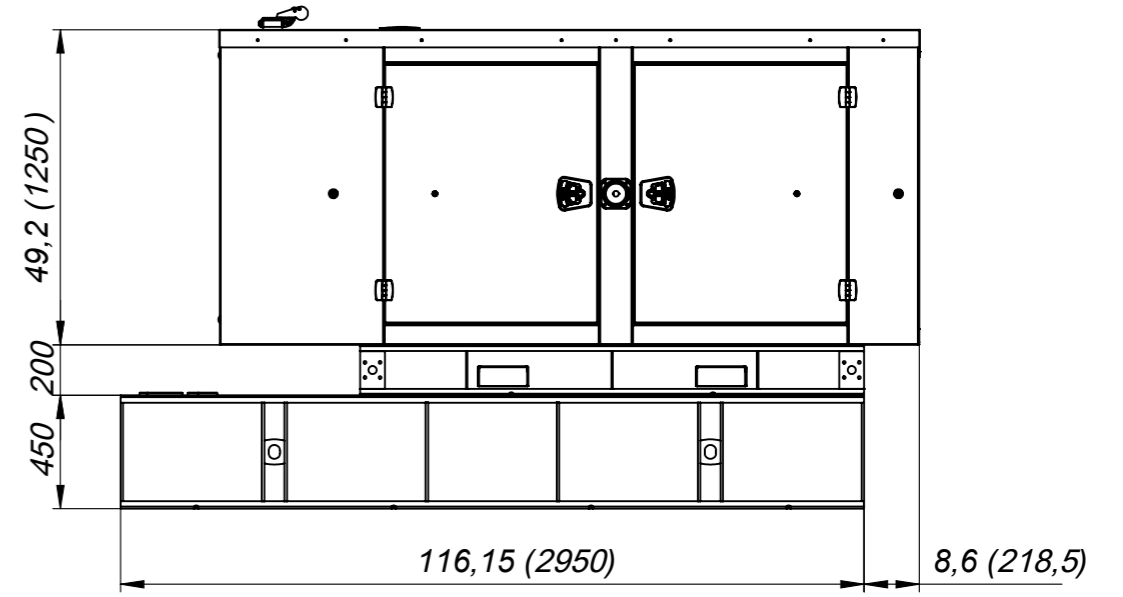
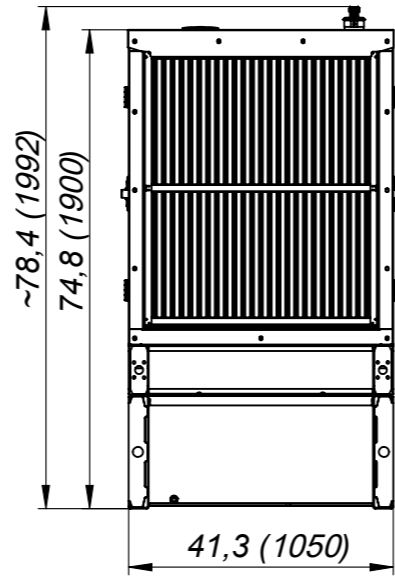
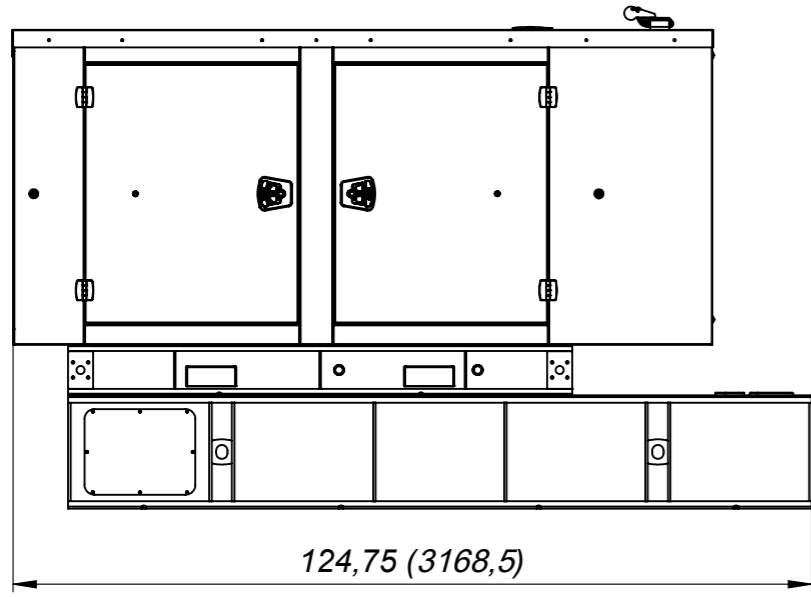


UL 142	
GROUP-2 (200 GALLON)	
NOTES (PRIMARY STEEL TANK)	
Thickness of tank;	
Lifting Lug & Support Brackets: 10mm	
Primary Tank: 4mm	
Secondary Tank: 4mm	
TANK SPECIFICATION	
Shell Material: S235JR	
Coupling Material: ASTM A106	

MARK	QUANTITY	SIZE	SPECIFICATION	DESCRIPTION
11	1	1/2" (NPT)	ASTM A105	Secondary Tank Drain
10	1	4" (NPT)	ASTM A105	Leak Detection Coupling
9	1	4" (NPT)	ASTM A105	Secondary Tank E. Vent
8	1	2" (NPT)	ASTM A105	Primary Tank E. Vent
7	1	2" (NPT)	ASTM A105	Normal Vent
6	1	2" (NPT)	ASTM A105	Fuel Low Level Sensor
5	1	2" (NPT)	ASTM A105	Fuel High Level Sensor
4	1	2" (NPT)	ASTM A105	Automatic Tank Gauge
3	1	2" (NPT)	ASTM A105	Filling Coupling
2	1	2" (NPT)	ASTM A105	Return Coupling
1	1	2" (NPT)	ASTM A105	Suction Coupling

TEKSAN	Tolerances		Name	Date	Document No
	ISO 2768		Yasin Parlak	22-05-2023	SM-230581837
	1. Projection Method		Checked Ferhat Nergis	10-10-2023	Part Code
			Approval Murat Uysal	13-10-2023	-
		Paper Size	Scale	Order No	Rev. No
		A3	1:15	-	R00
				Title	
				Nihai Montaj-Yakit Tankı-Jeneratör Altı-	

Do not take measurements based on the drawing.
This illustration may be changed without notice and is for informational purposes only.



Cizim üzerinden ölçü almayın.
Bu çizim haber verilmeden değiştirilmiş olabilir, sadece bilgi vermek amaçlıdır.

	Toleranslar	İsim	Tarih	Ağırlık	Rev. No	Çizim No
	ISO 2768	Çizen	16-11-2023	2233462.01 gr.	R01	SM-231184650
		Kontrol	04-12-2023	Yüzey Alanı	Kalınlık	Stok Kodu
* *	İzdüşümü Metodu	Onay	04-12-2023	142577663.63 mm ²		
		Sayfa	Sipariş No	Ebatlar		Tanım:
		A3		1106 x 1991,6 x 3173,8		Jeneratör Seti-Dizel-Kabinli-