

*OPTIONAL ACCESSORIES*

*REMOTE MONITORING - DSE WEBNET*



# DSEWebNet®

Industry-Leading Remote  
Control & Monitoring Software



SUPPORTS COMMUNICATION ACROSS MULTIPLE DEVICES





# ADVANCED REMOTE MONITORING OF GENSETS, PUMPS & COMPRESSORS.

Welcome to DSEWebNet® - the industry-leading online management tool for remote control and monitoring of generators, pumps and compressors.

Allows 24/7 access to multiple applications from anywhere in the world, and offers a range of outstanding features suitable for multiple applications. Available in desktop and mobile versions, DSEWebNet® is both powerful and versatile.



*"Our maintenance engineers were regularly required to go to site to fix issues with our generator fleet. Very often they arrived to find that the E Stop had been pressed or they did not have the right part to fix the problem. Now, with DSEWebNet® in place, we can see the live system status allowing us to diagnose problems in advance, saving us a considerable amount of time and money".*

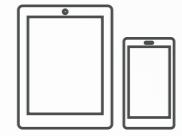
*"Many of our generators are in unsupervised sites and were continually running out of fuel. Since we installed DSEWebNet® we automatically receive emails when the fuel level is low, so timely refuelling can be arranged".*

*"As a rental company one of the key benefits of DSEWebNet® to us is the remote engine reporting. This allows us to effectively manage the contracted running hours of our entire rental fleet".*



### User Configurable Access

Allocate different user privileges, giving admin users the ability to provide full control or read only access, to prevent accidental system changes.



### App for Mobile & Tablet

Available for iOS and Android devices. The App can be linked to sites pre-configured using a desktop connection.



### Single User or Organisational Accounts

Operate as a single user with full control or create an organisational account allowing access to multiple users with flexible permissions.



### Geo-Fencing & Asset Tracking

Protect against theft or movement by creating a virtual geographic boundary around your equipment using GPS.



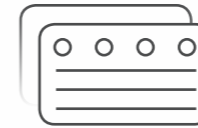
### Configurable Reporting

Choose the reports you want to see and send automatically by email or SMS to a maximum of 25 users.



### Maintenance Scheduling & Logging

Plan and customise essential maintenance schedules and keep logs of previous maintenance work for all users to view.



### Configurable User Interfaces

Create bespoke user interfaces using configurable widgets and templates to allow quick and easy access to key equipment and site data.



### Event Triggers

Set up event triggers to email or message users when specific conditions occur, including active alarms, low fuel levels and genset status.



### Customisable Branding

Organisational accounts allow custom branded backgrounds and logos to be used, producing screens with a bespoke corporate identity.



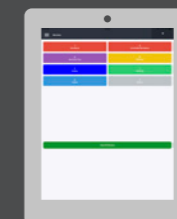
### Works across any phone network

Compatible with SIM cards from any network provider, allowing our DSE890 and DSE891 to be used globally.

## KEY INDUSTRIES



## WORKS ACROSS MULTIPLE PLATFORMS



# Wherever you are, wherever your application, DSEWebNet® keeps you in control.

A gateway device is required to use DSEWebNet®.  
There are two different variants available.



**DSE890**  
DSEWebNet® Gateway  
3G (GSM)/Ethernet



**DSE891**  
DSEWebNet® Gateway  
Ethernet Only



## Efficient Fleet Management.

### DEEP SEA ELECTRONICS LTD

**TELEPHONE**  
+44 (0)1723 890099  
**EMAIL**  
[sales@deepseaelectronics.com](mailto:sales@deepseaelectronics.com)

### DEEP SEA ELECTRONICS INC

**TELEPHONE**  
+1 (815) 316 8706  
**EMAIL**  
[usasales@deepseaelectronics.com](mailto:usasales@deepseaelectronics.com)

### DEEP SEA ELECTRONICS INDIA

**TELEPHONE**  
+91 (0) 124 4817080  
**EMAIL**  
[sales@deepseaelectronics.com](mailto:sales@deepseaelectronics.com)

Our distributor network is well established and provides stock, service and support in your local marketplace.  
Full details of all **DSE Distributors** can be found on our website.  
[www.deepseaelectronics.com](http://www.deepseaelectronics.com)

## DSE890 MKII DSEWebNet® / IoT 4G Gateway (GSM/Ethernet)

### Remote Communications Interface

The DSE890 MKII 4G gateway is used in conjunction with supported DSE controllers to provide remote monitoring and communications data via DSEWebNet® or third party MQTT brokers.

The DSE890 MKII gateway communicates with up to five connected DSE controllers, monitoring instrumentation and operating states. When this data changes, data is logged internally and transmitted from the gateway device to the DSEWebNet® or MQTT broker (Amazon Web Services, Google, IBM etc..).

DSEWebNet® software is accessed using an Internet browser or the dedicated app. Users are able to perform multiple tasks including: monitoring equipment, clearing alarm conditions, starting/stopping equipment and monitoring fuel levels.

The IoT feature of the DSE890 MKII supports MQTT V 3.1.1 (ISO/IEC 20922:2016). This enables connection to a third party server that is running an MQTT broker, whilst simultaneously supporting connection to the DSEWebNet® server.

For additional information on DSEWebNet® software refer to data sheet 055-192.

**Note:** The DSE890 MKII also supports 2G & 3G connections.



#### SPECIFICATIONS

##### DC SUPPLY CONTINUOUS VOLTAGE RATING

8 V to 36 V continuous

##### CRANKING DROPOUTS

Able to survive 0 V for 100 mS, providing supply was at least 8 V before dropout and supply recovers to 8 V. This is achieved without the need for internal batteries

##### MAXIMUM OPERATING CURRENT

GSM	755 mA at 12 V
	376 mA at 24 V
GSM & GPS	755 mA at 12 V
	376 mA at 24 V

##### MAXIMUM STANDBY CURRENT

GSM	207 mA at 12 V
	113 mA at 24 V
GSM & GPS	207 mA at 12 V
	113 mA at 24 V

##### COMMUNICATIONS

USB (Single DSE Controller)  
CAN\* (Multiple DSE Controller)  
RS485 (Multiple DSE Controllers)  
Ethernet (Multiple DSE Controllers)

##### DIMENSIONS

85 mm x 149 mm x 51 mm

##### MOUNTING

DIN Rail  
Chassis Mount

\* Only active for third-party MQTT brokers.

#### PRODUCT

DSEWebNet® / IoT 4G Gateway - 4G (GSM & Ethernet)

#### ACCESSORIES

Combined 4G LTE (Main & Diversity) and GPS Antenna

#### RELATED MATERIALS

DSE890 MKII Installation Instructions  
DSE890 MKII Operators Manual  
DSEWebnet® Data Sheet  
DSEWebnet® PC Internet Browser Software Manual  
DSEWebnet® Smart Device Software Manual

#### PART NO.

0890-04

#### PART NO.

020-1053

#### PART NO.

053-247

057-304

055-192

057-168

057-235

#### COMPATIBLE DSE CONTROLLERS

For a complete list of DSE controllers compatible with the DSE890 MKII Gateway, please refer to the operators manual (057-304).

#### DEEP SEA ELECTRONICS UK

T: +44 (0) 1723 890099  
E: sales@deepseaelectronics.com  
W: www.deepseaelectronics.com

#### DEEP SEA ELECTRONICS USA

T: +1 (815) 316 8706  
E: usasales@deepseaelectronics.com  
W: www.deepseaelectronics.com

#### DEEP SEA ELECTRONICS UAE

T: +971 (0) 45910819  
E: uaesales@deepseaelectronics.com  
W: www.deepseaelectronics.com

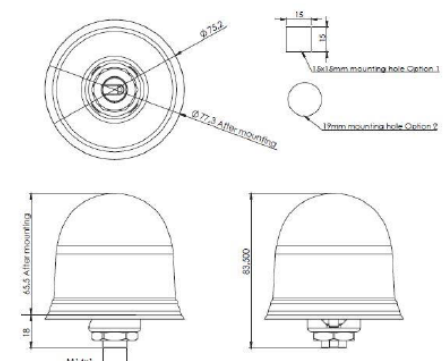
#### DEEP SEA ELECTRONICS INDIA

T: +91 20 68195900  
E: sales@deepseaelectronics.com  
W: www.deepseaelectronics.com

# 020-1053

## COMBINED 4G LTE (MAIN & DIVERSITY) AND GPS ANTENNA



<b>TYPE</b>	GPS/GLONASS Antenna
<b>FREQUENCIES</b>	GPS / QZSS / Galileo (1575.42 MHz) GLONASS (1598 - 1606)
<b>MOUNTING</b>	Body mounting
<b>IMPEDANCE</b>	50 Ω
<b>POLARISATION</b>	RHCP
<b>GAIN</b>	28 dB @ 2.7 V
<b>VSWR</b>	<1.4:1
<b>PROTECTION</b>	IP67/IP69K/IK09
<b>OPERATING TEMPERATURE</b>	-40 °C to +85 °C -40 °F to +185 °F
<b>MATERIAL</b>	Housing – ASA Base – Zamak
<b>MAXIMUM DIMENSIONS</b>	<p><b>Diameter</b> 77.3 mm 3.04"</p> <p><b>Housing depth</b> 65.5 mm 2.58"</p> <p><b>Bolt depth</b> 18 mm 0.71"</p> 
<b>WEIGHT</b> (Based on default cable length & connector)	300 g 10.58 oz
<b>COLOUR</b>	Black

