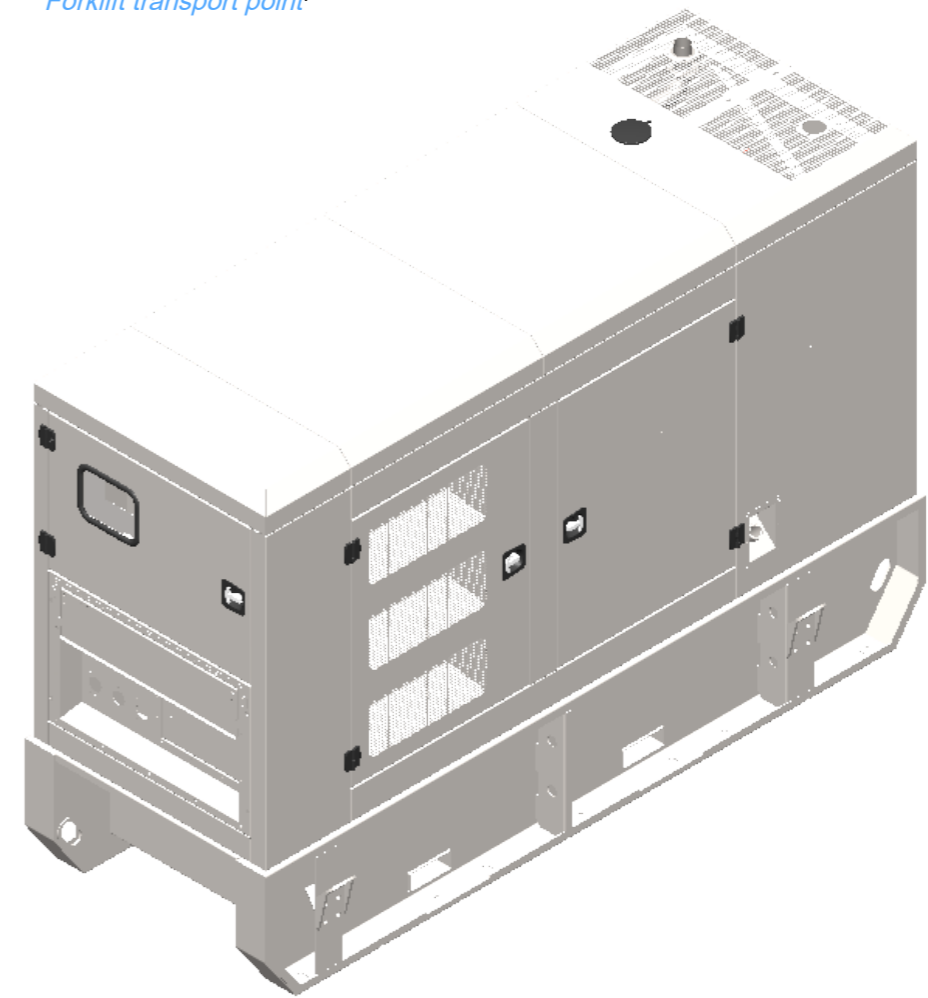
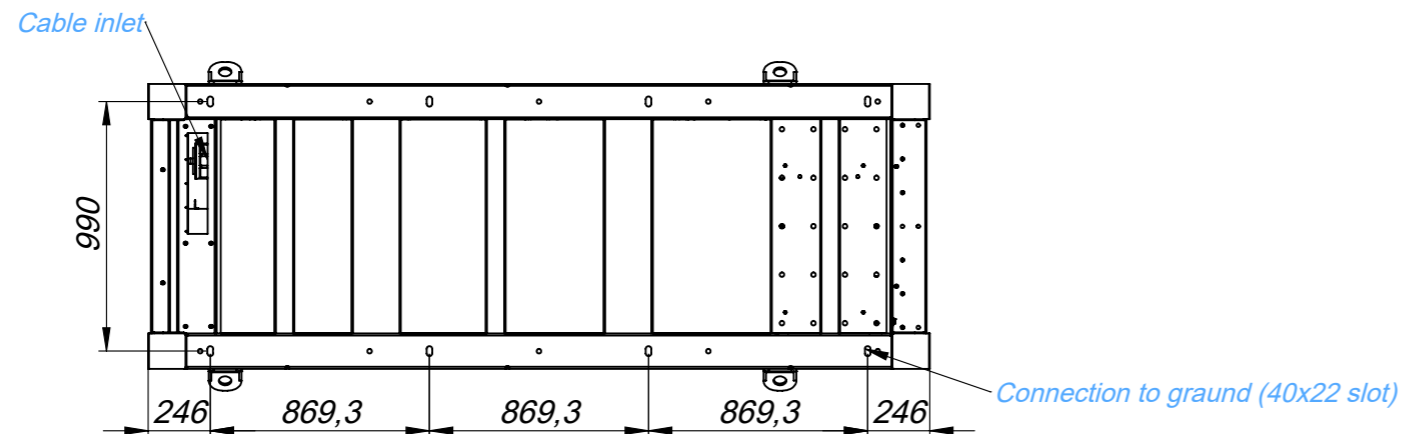
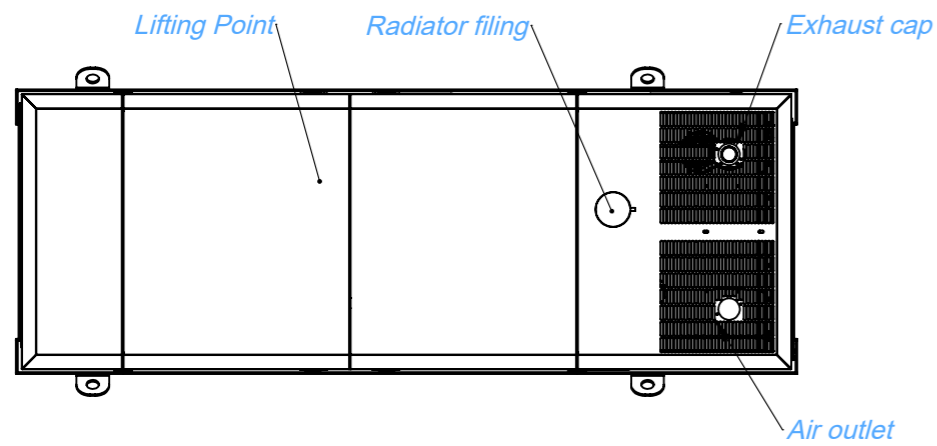
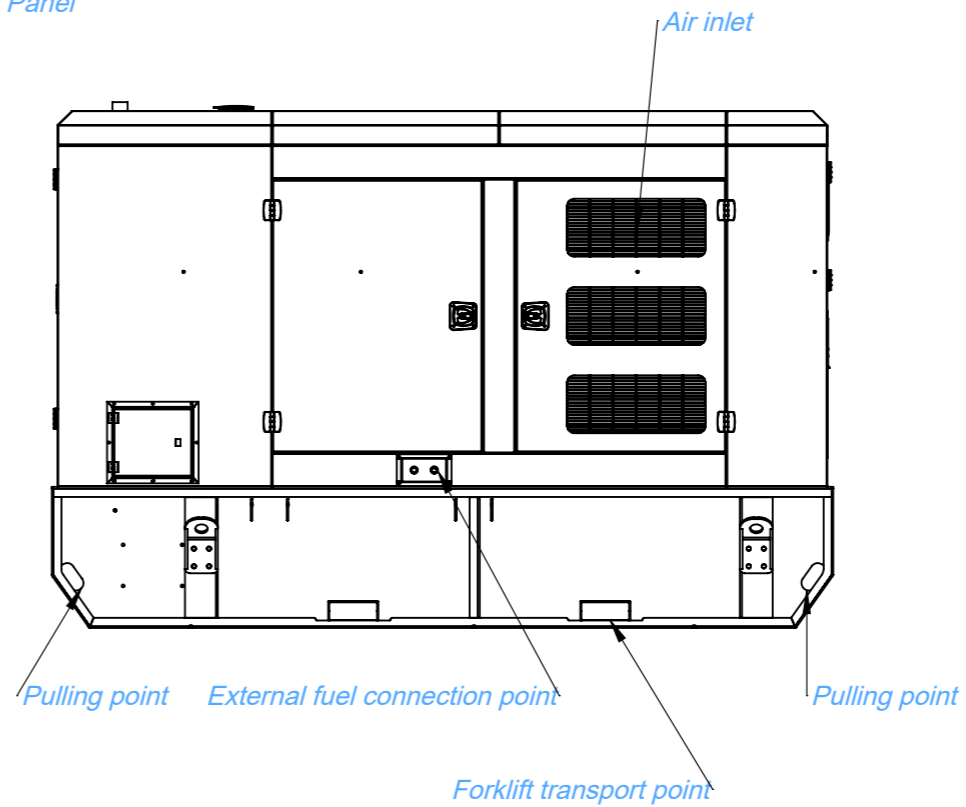
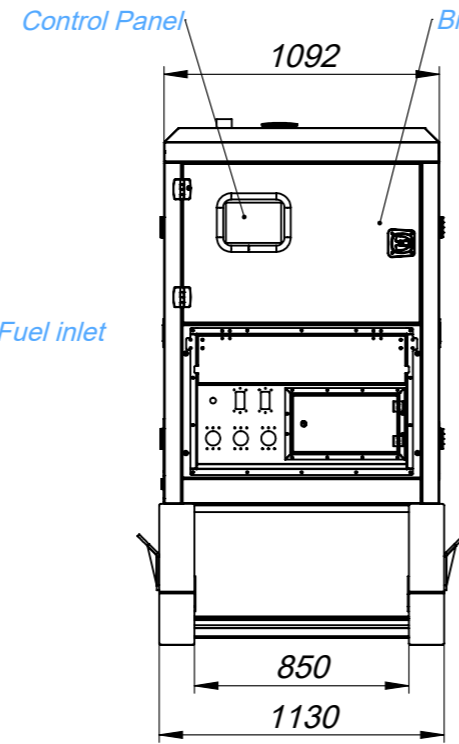
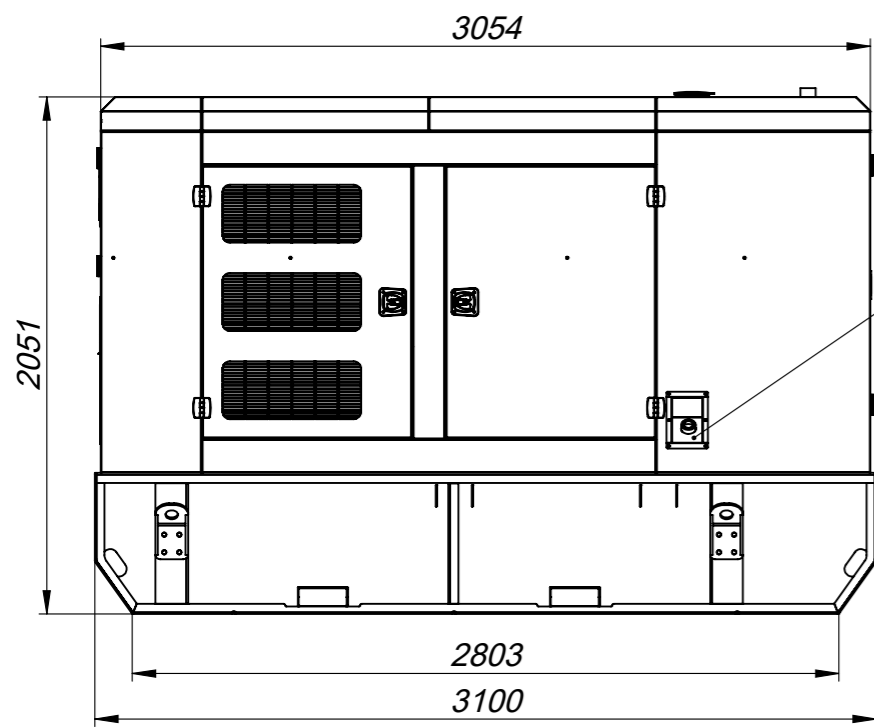


DIMENSIONAL DRAWINGS



TJ-4F-R-92DW6L



Please do not take measures on the drawings.

	Tolerances	Name	Date	Document No
	ISO 2768	Yasin Parlak	13-05-2022	SM-220577130
	1. Projection Method	Checked	-	Part Code
		Approval	-	-
* _ *	Paper Size	Scale	Order No	Rev. No
	A3	1:30	4021390-50-60	R01(G)
				Title
				Jeneratör Seti-Dizel-Kabinli-