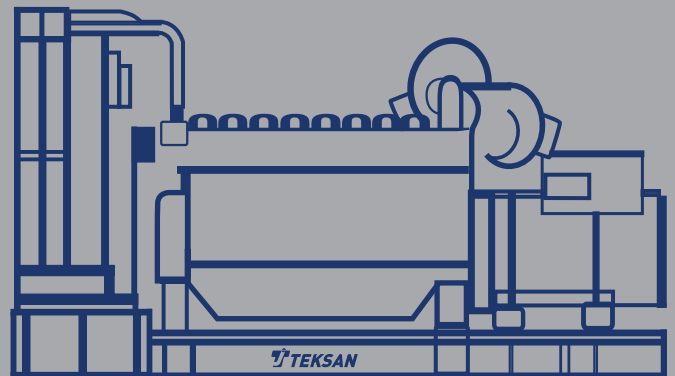


TJT4F92DW

Industrial Diesel Generator Sets

EPA Certified for Mobile / Stationary Prime Applications



Genset Standby Power Rating

Voltage	208/120V	480/277V	240/120V	Multi Voltage		
				208/120V	480/277V	240/120V
Phase	3	3	1	3	3	1
Pf	0,8	0,8	1	0,8	0,8	1
Alternator Model	LSA44.3S5	LSA44.3S4	LSA44.3S5	LSA 44.3 M6		
Temp Rise	125 / 40 °C	125 / 40 °C	125 / 40 °C	125 / 40 °C		
Connection	12 Leads PS	12 Leads SS	12 Leads DD	Voltage Selector Switch		
Standby Power kW/kVA	82/102	81/101	65/65	82/102	82/102	76/76
Current	284A	122A	271A	284A	123A	317A
Prime Power kW/kVA	73/92	73/91	65/65	73/92	73/92	73/73
Current	255A	110A	271A	255A	110A	306A

Continuous Power

The maximum power which a generating set is capable of delivering continuously whilst supplying a constant electrical load. Average load can be 100%. The generator must not be overloaded.

Prime Power

The maximum power which a generating set is capable of delivering continuously whilst supplying a variable electrical load. Average load should be 70%. The generator can be overloaded 10% for 1 hour per 12 hrs.

Standby Power

The max power available during a variable electrical power sequence, under the stated operating conditions, for which a generating set is capable of delivering in the event of a utility power outage or under test conditions for up to 200 hrs of operation per year under average of 70% load. Overloading isn't permissible.

Certifications & Standards

The Generator set is designed and manufactured in a facility certified to **ISO9001:2015, ISO14001:2015, ISO45001-2018** and **ISO10002:2014 standards.**

The generator set, with its components, are **prototype tested**, factory-built and production tested per UL standards.

Application Data - Engine

Engine	
Manufacturer	Doosan
Model	D34
Number of Cylinders	4, Inline
Cubic Capacity	0.900 gallon
Bore x Stroke	3.86 in x 4.45 in
Aspiration	Turbocharged, air to air aftercooled
Combustion Ratio	18.0:1
Gross Engine Power - Standby	92 kW
Net Engine Power - Standby	88 kW
Gross Engine Power - Prime	83 kW
Net Engine Power - Prime	79 kW
Rated rpm	1800
Emission	Tier 4 Final

Electrical System	
Starting Motor Voltage	12V
Battery Charging Alternator	110A
Battery Qty, CCA Rating	100 Ah, 750CCA

Fuel System	
Fuel Injection	Bosch
Fuel Pump	Common Rail
Governor Type	ECU
Fuel Filter	Full flow, cartridge type

Fuel Consumption	
Standby Power (110% of Prime)	5.9 gal/h
Prime Power (100%)	5.3 gal/h
DEF Consumption	7~8% of Diesel consumption

Cooling System	
Cooling Method	Fresh water forced circulation
Total Coolant Capacity	3.20 gallons
Water Pump	Centrifugal type driven by belt
Cooling Fan	Blower type, Ø18.11 (ATB 52°C)
Water temperature	230 °F (max.)

Lubrication System	
Oil Filter	Full flow, cartridge type
Total lubricating capacity	3.33 gallons
Lubricating Oil	10W30/40(API CJ-4 / ACEA E6, E9)
Max Oil Temperature	275 °F at main oil gallery

Engineering Data	
Water Flow	23.78 gallons/min
Air Flow	26443.6 gallons/min
Exhaust Gas Temperature	1382 °F
Max. Intake Permission Restrictions	6.5 kPa dirty filter
Max. Exhaust Permission Restrictions	50 kPa

Application Data - Alternator

Manufacturer	Leroy Somer					
Type	4 Poles, Brushless					
Protection	IP 23					
Voltage Regulation	± 0.25%					
One Step Load Acceptance	100% of rated load					
Bearing	Single					
THD in Linear Load	< 5%					
Waveform: NEMA TIF	< 50					
Altitude	≤ 1000 meters					
Over Speed	2250 rpm					
AVR	D350					
Genset Voltage	208/120V	480/277V	240/120V	208/120V	480/277V	240/120V
Alternator Model	LSA44.3S5	LSA44.3S4	LSA44.3S5	LSA44.3M6		
Phase / Leads / Connection	3 / 12 / PS	3 / 12 / SS	1 / 12 / DD	Multi Voltage Selector - 3/3/1		
P.F.	0,8	0,8	1	0,8	0,8	1
Power @ Temp Rise 125/40 °C	108kVA	113kVA	65kVA	135kVA	156kVA	76kVA
Power @ Temp Rise 105/40 °C	99kVA	103kVA	59kVA	123kVA	142kVA	69kVA
Efficiency @ 100% load	92,90%	92,40%	92,70%	91,68%	91,60%	90,00%
skVA @ 30% Voltage Dip (P.F. = 0.6)	315kVA	420kVA	-	330kVA	440kVA	-

Application Data - Circuit Breaker

Genset Voltage	208/120V	480/277V	240/120V	Multi Voltage
ABB (80% Rated) Breaker	300A	125A	300A	400A
Trip Unit	LS/I	TMF	LS/I	LS/I

Control Panel

Manufacturer	DSE - Deep Sea Electronics
Model	7310 MKII
DC Supply	8 to 35V Continuous
Generator Voltage Range (Ph-Ph)	26V to 719V AC
Generator Frequency Range	3,5Hz to 75Hz
Standards	BS EN 61000-6-2, BS EN 61000-6-4, BS EN 60950, BS EN 60529 BS EN 60068-2-1, BS EN 60068-2-2 BS EN 60068-2-6, BS EN 60068-2-30 BS EN 60068-2-78, BS EN 60068-2-27



Key Features

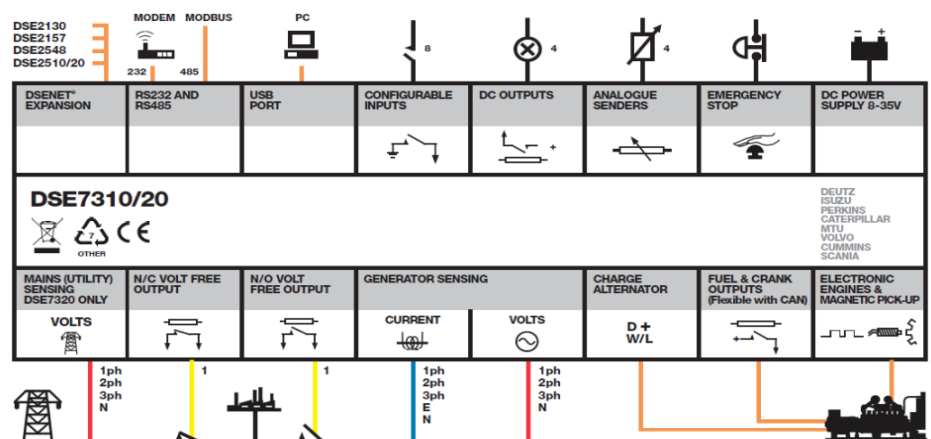
- License free PC software
- 4-Line back-lit LCD text display
- Five key menu navigation
- LCD Alarm Indication
- DSENet expansion compatibility
- Internal PLC editor
- Protection disable feature
- Data logging facility
- Fully configurable via PC
- Front panel configuration
- Power safe mode
- 6 configurable DC outputs
- 2 configurable volt free relay outputs
- 6 configurable analogue/digital inputs
- 8 configurable digital inputs
- Configurable 5 stage dummy load and load shedding outputs
- Backed up real time clock
- Fuel usage monitor and low fuel level alarms
- Remote SCADA monitoring via DSE Configuration Suite PC Software
- Advanced SMS messaging (additional external model required)
- Start & Stop capability via SMS messaging
- Configurable event log (250)
- Multiple date and time scheduler

Protections

- ✓ Gen. Voltage – under / over
- ✓ Gen. Freq. – under / over
- ✓ Engine Speed – under / over
- ✓ Engine Oil Pressure – low
- ✓ Engine Temp – low / high
- ✓ Battery Voltage – low / high
- ✓ Weak Battery
- ✓ Fail to Start / Stop
- ✓ Charge Alternator Fail
- ✓ Over Current & Load (kW/kVAR)
- ✓ Unbalanced Load
- ✓ Independent Earth Fault
- ✓ Reverse Power
- ✓ Loss of Speed Signal

Instruments

- ✓ Gen. Voltage (L-L/L-N)
- ✓ Gen. Frequency
- ✓ Engine speed
- ✓ Oil Pressure
- ✓ Water Temperature
- ✓ Battery Voltage
- ✓ Run Time
- ✓ Phase Sequence
- ✓ Power monitoring (kWh/kVAh/kVArh)
- ✓ Power (kWh/kVAh/kVArh)
- ✓ Power Factor
- ✓ Generator Current
- ✓ Generator Load (%)
- ✓ Earth Current



TJT4F92DW

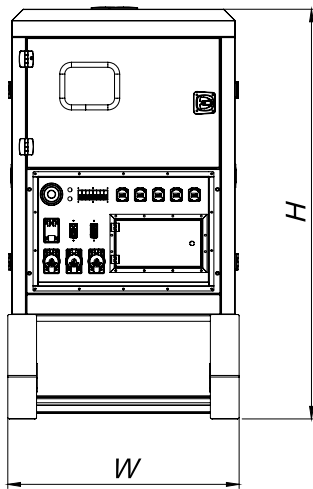
Industrial Diesel Generator Sets



Dimensions, Weight & Sound Data

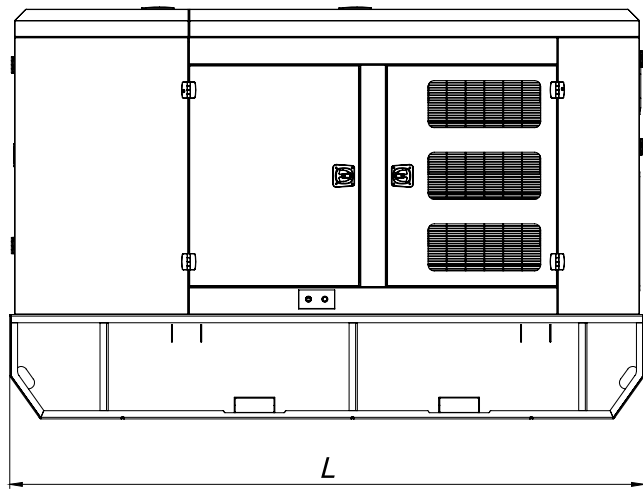
Enclosed Genset Data

L (inches)	W (inches)	H (inches)	Weight (lbs)
122"	44.5"	80.9"	5750



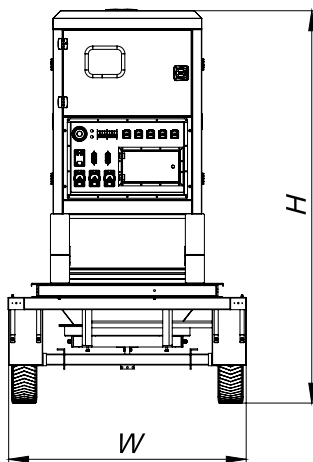
Integral Base Tank / DEF Tank

Sound Level	Run Time	Tank Capacity	DEF Capacity
68dBA*	26h	159gal / 600lt	7.9gal / 30lt



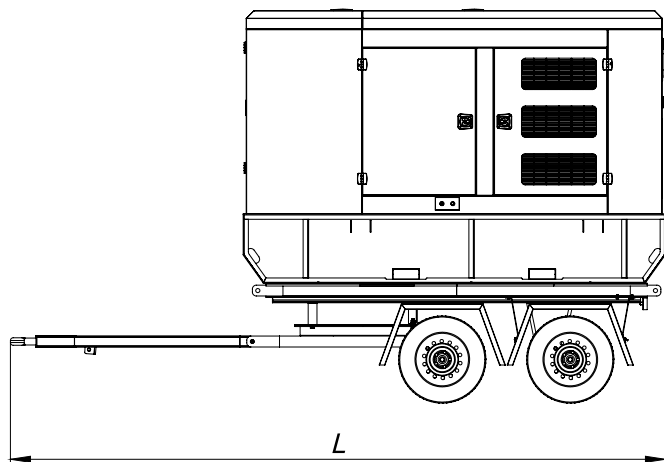
Genset w / Trailer Data

L (inches)	W (inches)	H (inches)	Weight (lbs)
185"	90"	107"	7350



Integral Base Tank / DEF Tank

Sound Level	Run Time	Tank Capacity	DEF Capacity
68dBA*	26h	159gal / 600lt	7.9gal / 30lt



*All measurements are approximate and for estimation purposes only. Weights are without fuel in tank. Sound levels measured at 23ft (7m) and does not account for ambient site conditions.

Standard Features & Accessories

General

- Galvennealed Steel Enclosure
- Heavy Duty Base Frame (110% Fluids Containment)
- Integrated 24h Double Wall Fuel Tank
- Fork pockets and transportation tie downs
- Rust Prevention Hardware (Latches/Hinges)
- Single Top Lifting Hook (Genset only)
- Locable Fuel Filling Cap on Enclosure
- Jacket Water Heater w/Isolation Valves
- DOC Catalysts / Silencer Mounted
- 3 Way Fuel Connection Valve
- Oil & Coolant Drain Extension
- Vibration Isolation Mounts

Electrical

- Three Position Voltage Selector Switch
- Main Line CB
- Battery Charger
- Voltage Adjust Rheostat

Convenience Panel

- (3)-50A 125/250VAC 3P4W Twist Lock CS6369
- 2-20A 120VAC Duplex GFCI Nema 5-20R
- Thumb Screw Terminals for 2-Wire Remote Start
- 15A 120VAC Male Receptacle Shore Power Connection
- (5)-400A Rated Female Cam Style Locking Receptacles
- (5)-400A Rated Lug Connection
- Emergency Stop Switch

Optional Accessories

General

- DOT Approved Trailer
- Trailer Mounted Spare Tire
- Trailer Mounted Tool Box
- Battery Disconnect Switch
- Crankcase Ventilation Filter

Electrical

- Low Fuel Level Switch & Alarm
- Fuel Level Monitoring via Controller
- Low Coolant Switch & Alarm
- Paralleling Controller Upgrade
- Motor Operated Breaker

DISTRIBUTED BY:

