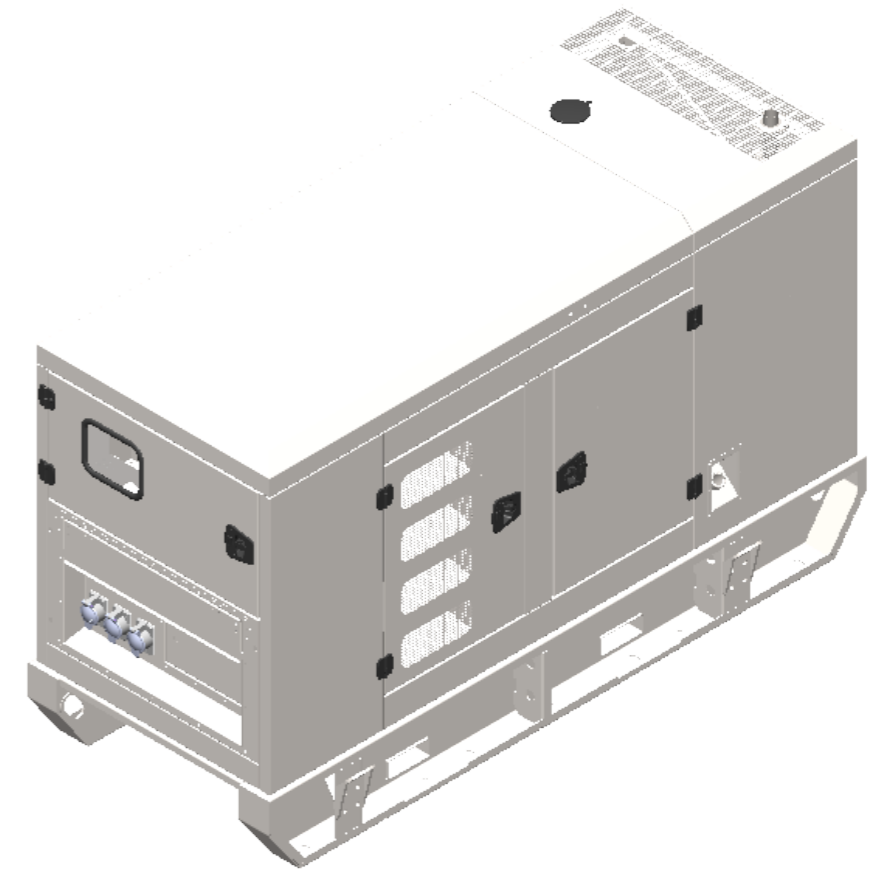
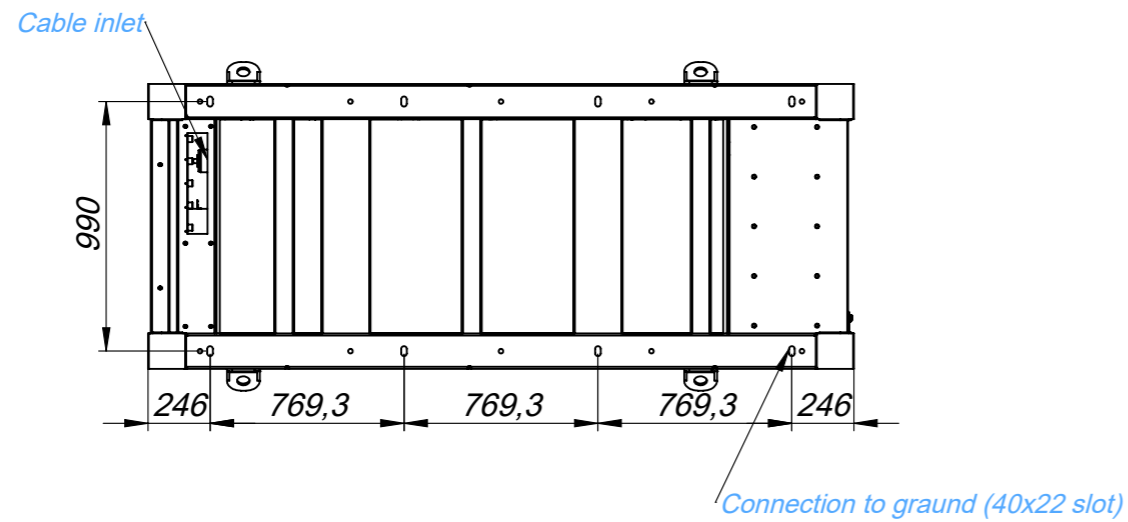
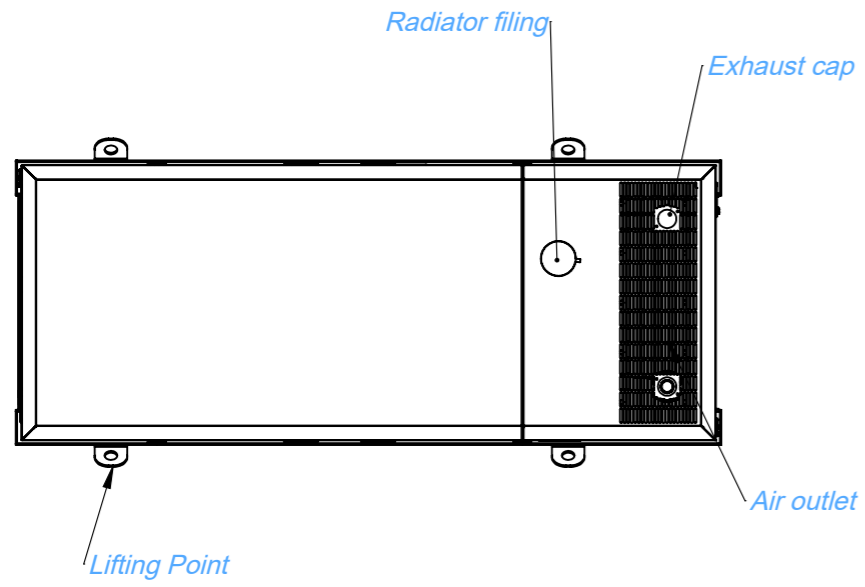
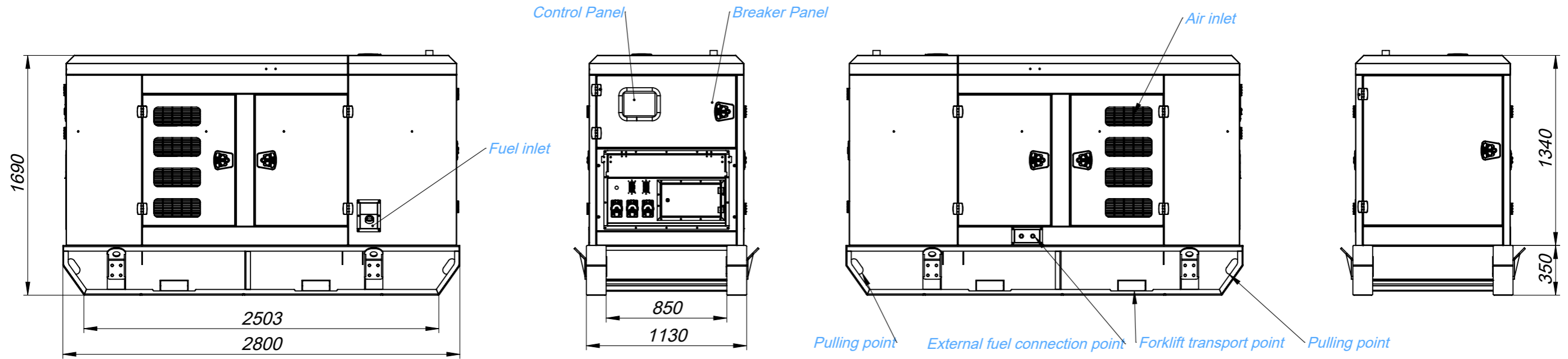


*DIMENSIONAL DRAWINGS*





Please do not take measures on the drawings.

	Tolerances	Name	Date	Document No
	ISO 2768	Yasin Parlak	21-02-2022	SM-220275879
		Checked	-	Part Code
		Approval	-	-
	1. Projection Method	Paper Size	Scale	Order No
* - *		A3	1:30	4021390-30-40
		Rev. No	Title	
		R00(G)	Jeneratör Seti-Dizel-Kabinli-	