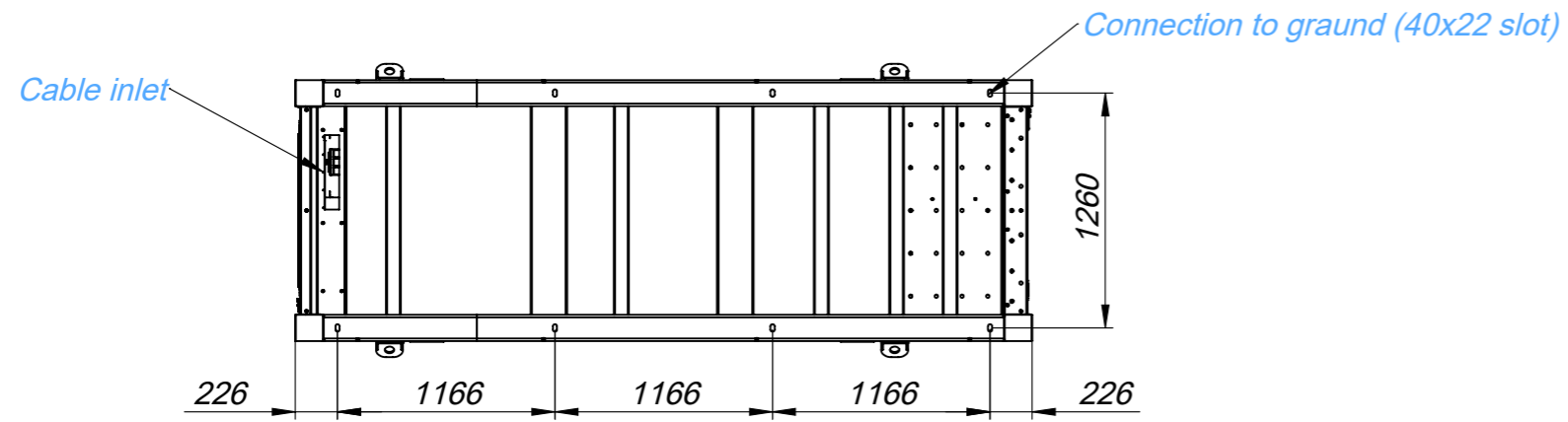
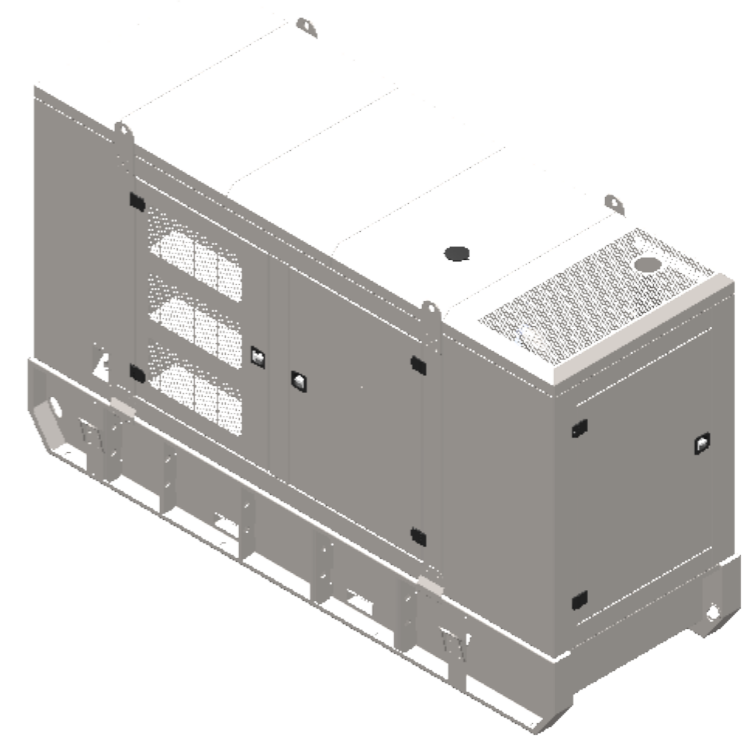
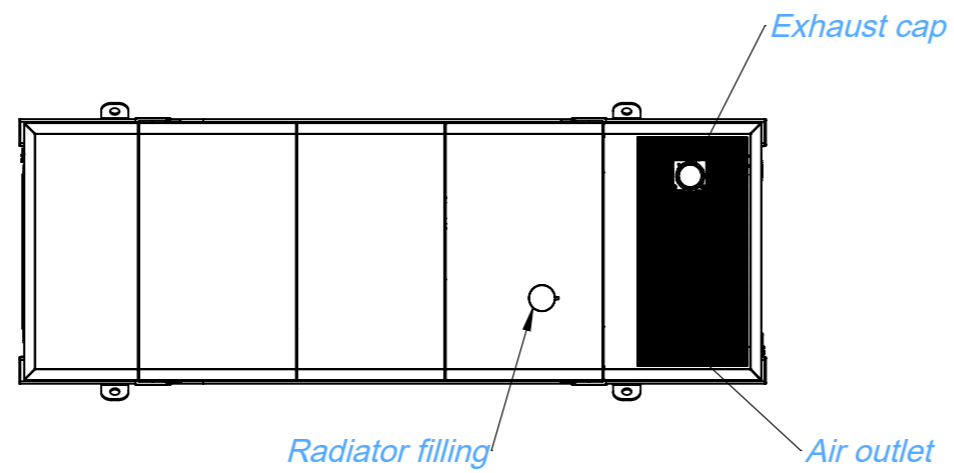
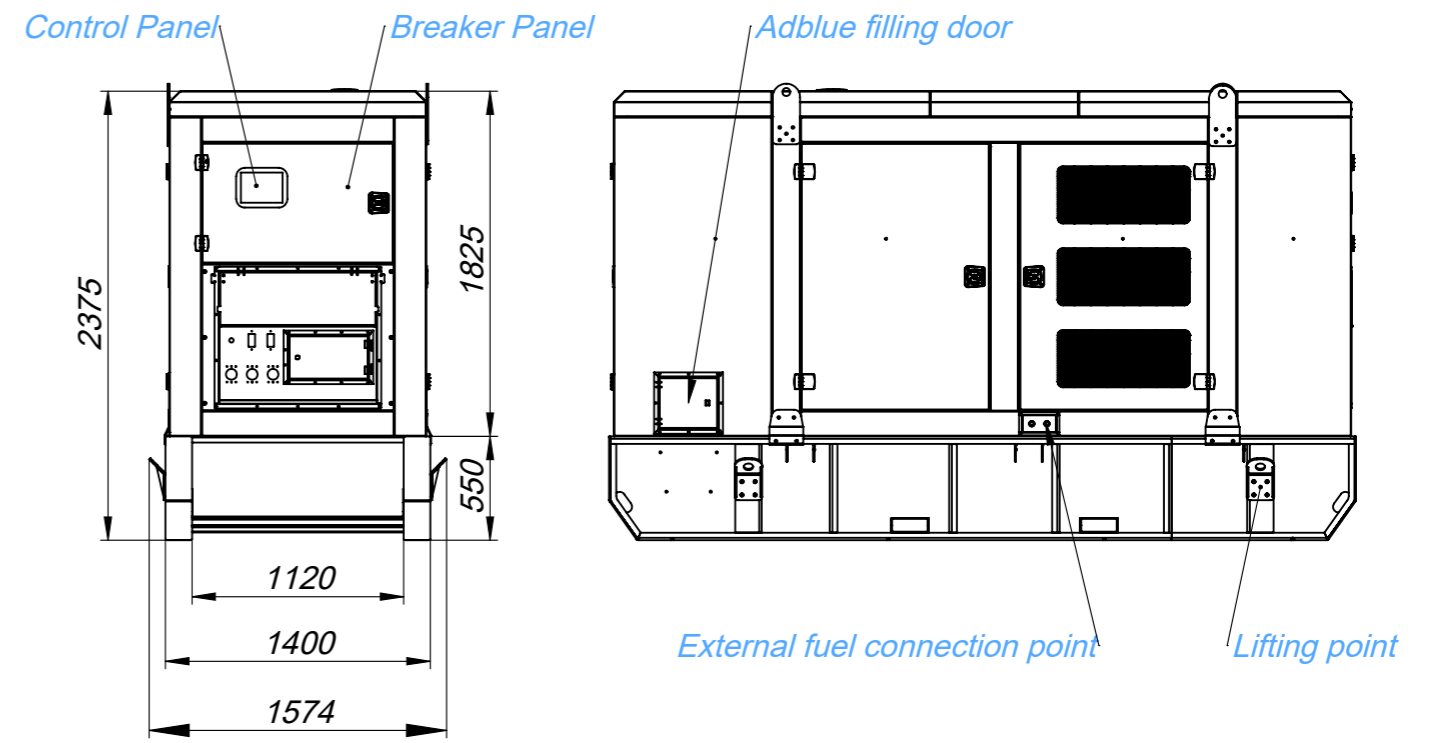
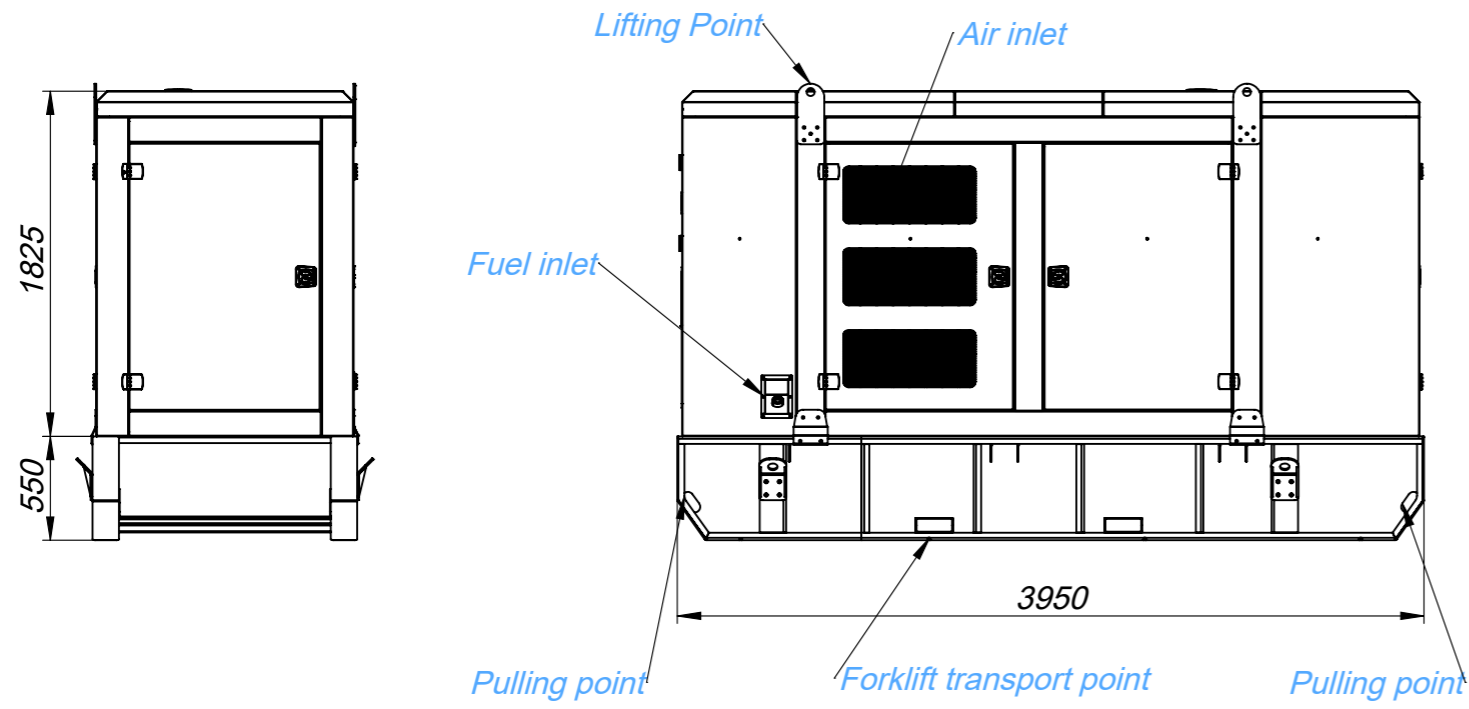


DIMENSIONAL DRAWINGS





	Tolerances	Name	Date	Document No
	ISO 2768	Yasin Parlak	31-01-2023	SM-230180328
	1. Projection Method	Checked	-	Part Code
		Approval	-	-
* _ *	Paper Size	Scale	Order No	Rev. No
	A3	1:40	4021390-180-210	-
				Title
				Jeneratör Seti-Dizel-Kabinli-

Please do not take measures on the drawings.