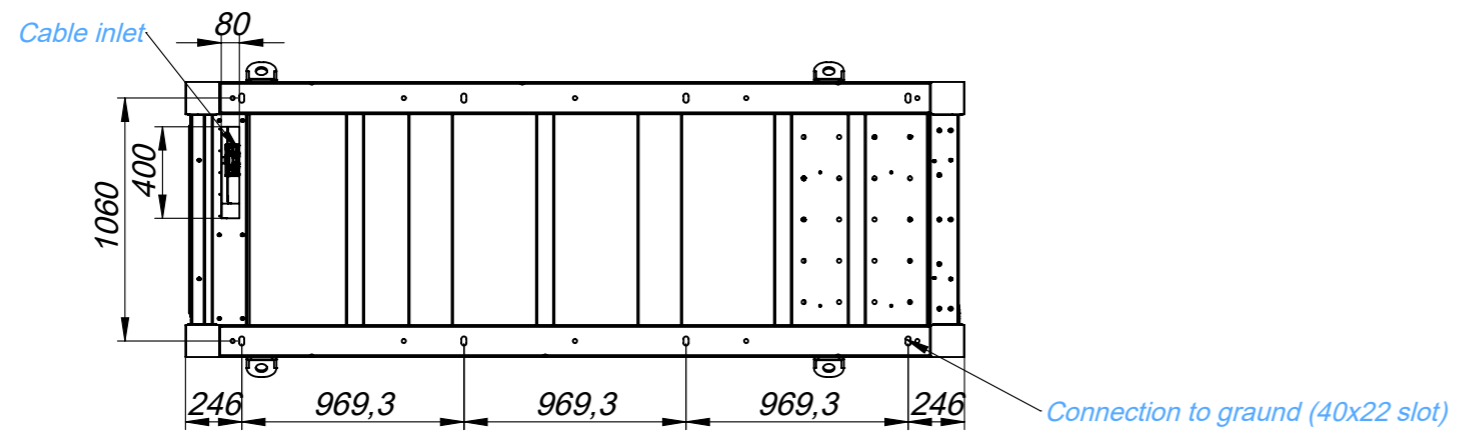
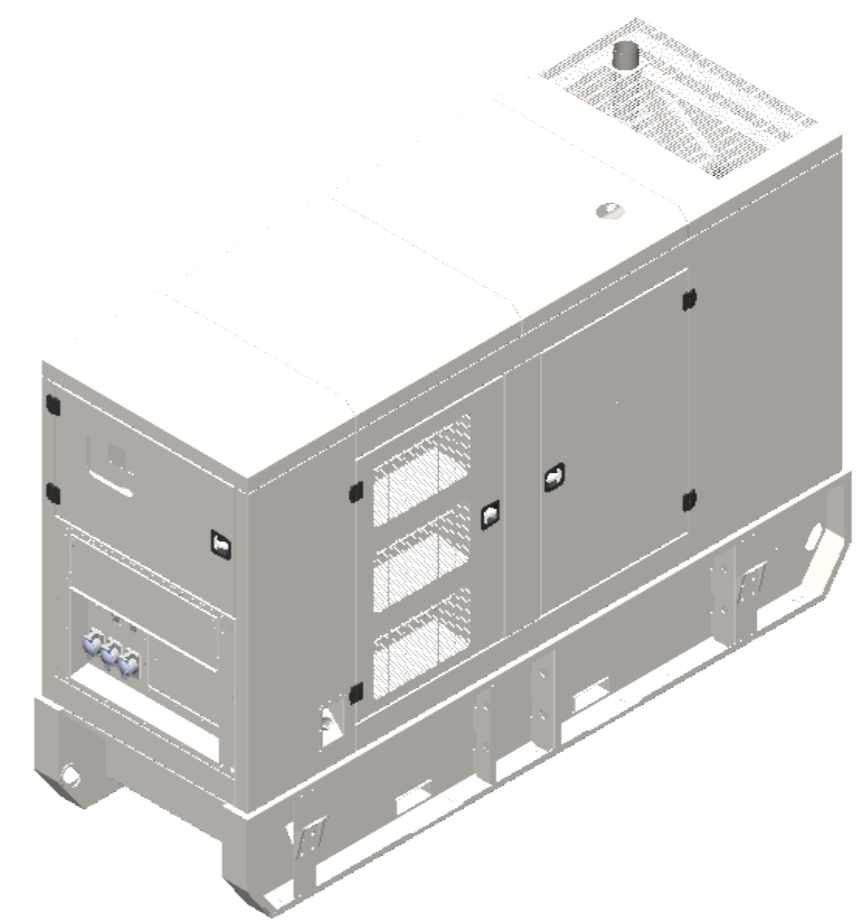
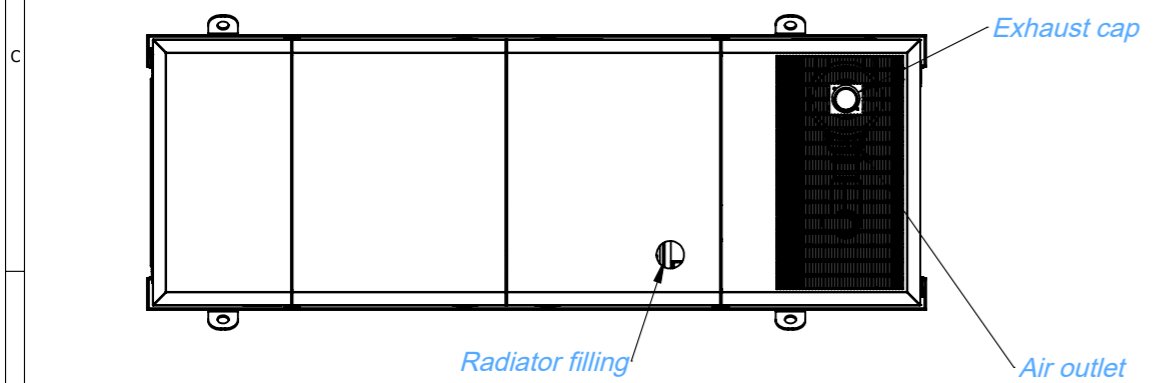
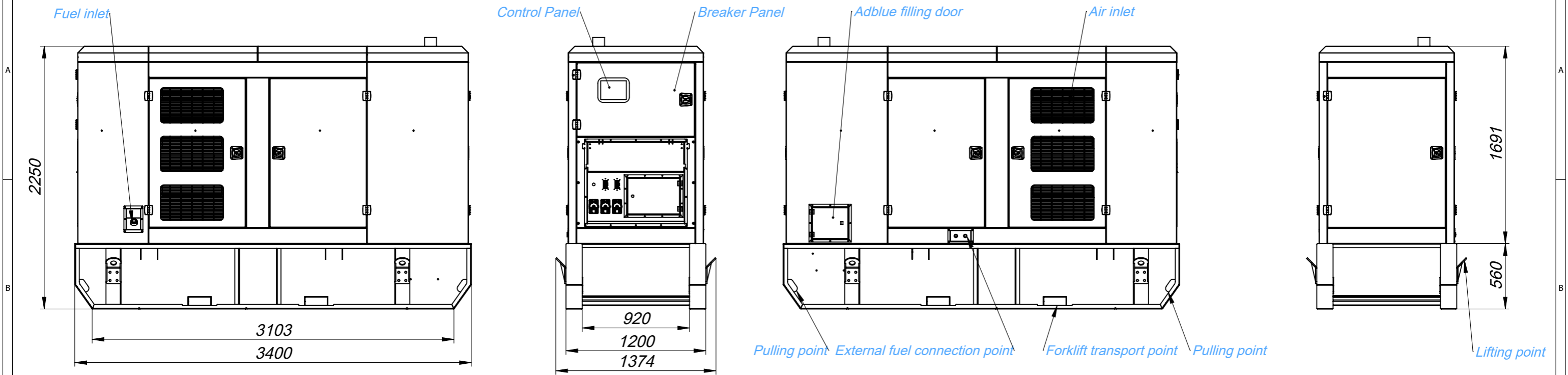


DIMENSIONAL DRAWINGS

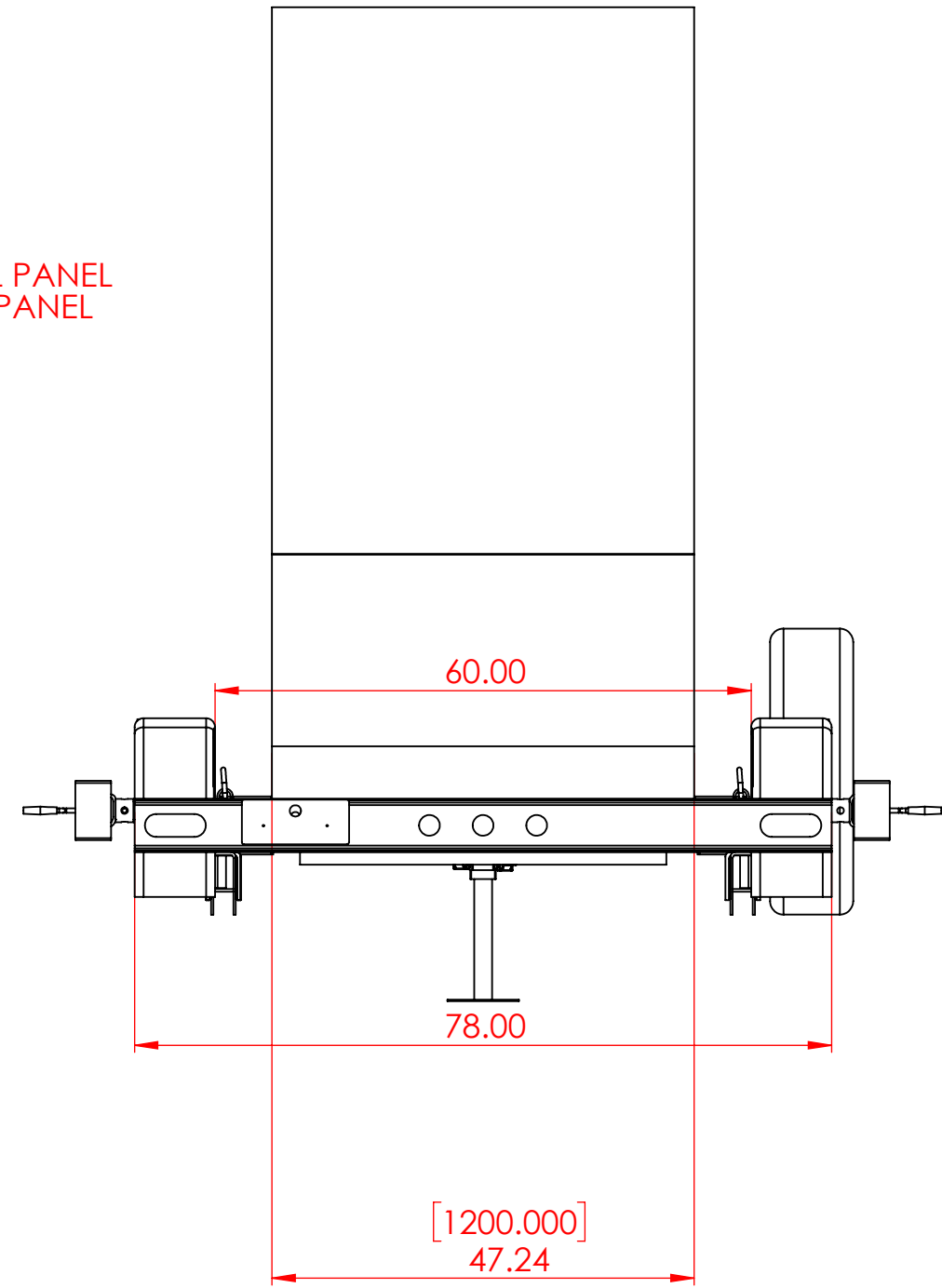
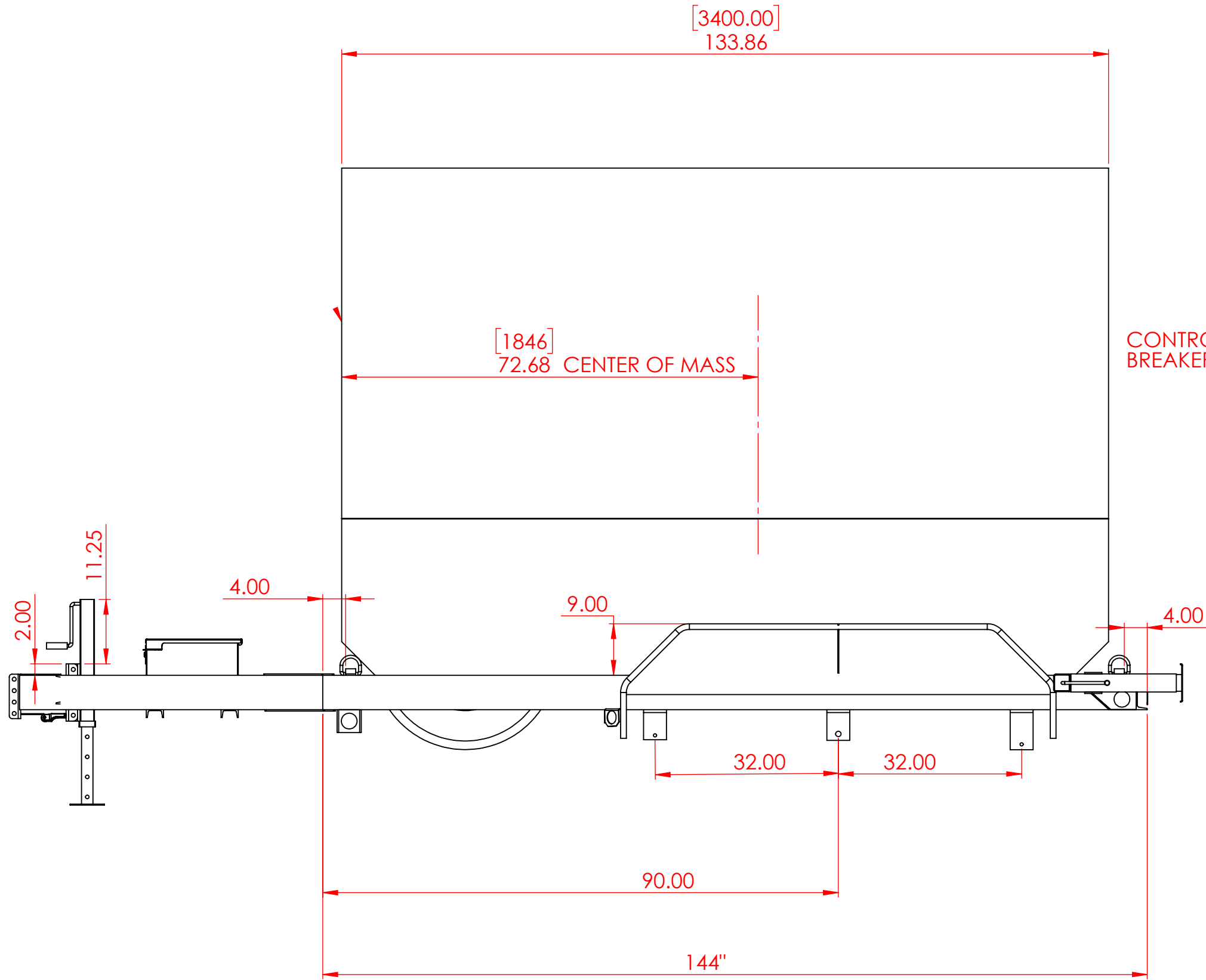


TJ-4F-R-128JD6L



Please do not take measures on the drawings.

	Tolerances	Name	Date	Document No
	ISO 2768	Yasin Parlak	18-05-2022	SM-220577170
	1. Projection Method	Checked	-	Part Code
		Approval	-	-
* _ *	Paper Size	Scale	Order No	Rev. No
	A3	1:33	-	R00(G)
				Title
				Jeneratör Seti-Dizel-Kabinli-



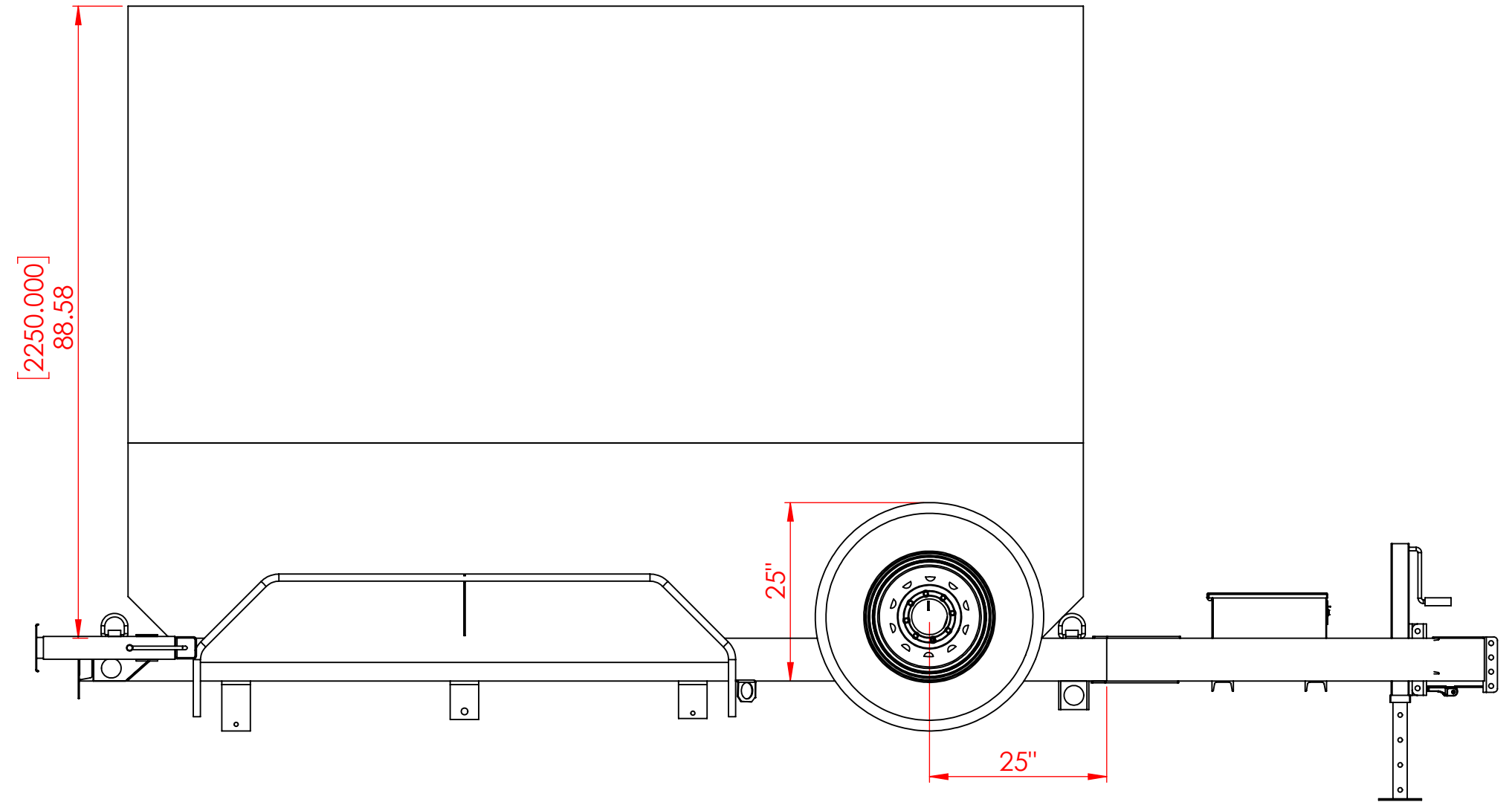
DIMENSIONS ARE IN INCHES
TOLERANCES:
FRACTIONAL ± 1/16
ANGULAR: MACH ± 1.5 BEND ± 1
TWO PLACE DECIMAL ± .02
THREE PLACE DECIMAL ± .030

DATE 1/4/2024
DRAWN G.L.
CHECKED
ENG APPR.
MFG APPR.

PROPRIETARY AND CONFIDENTIAL

TITLE:		
SIZE B	DWG. NO. LM6012072	REV
SCALE: NTS		WEIGHT:

PROJECT:



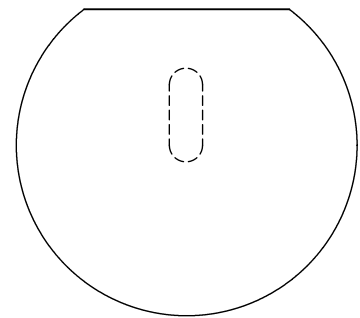
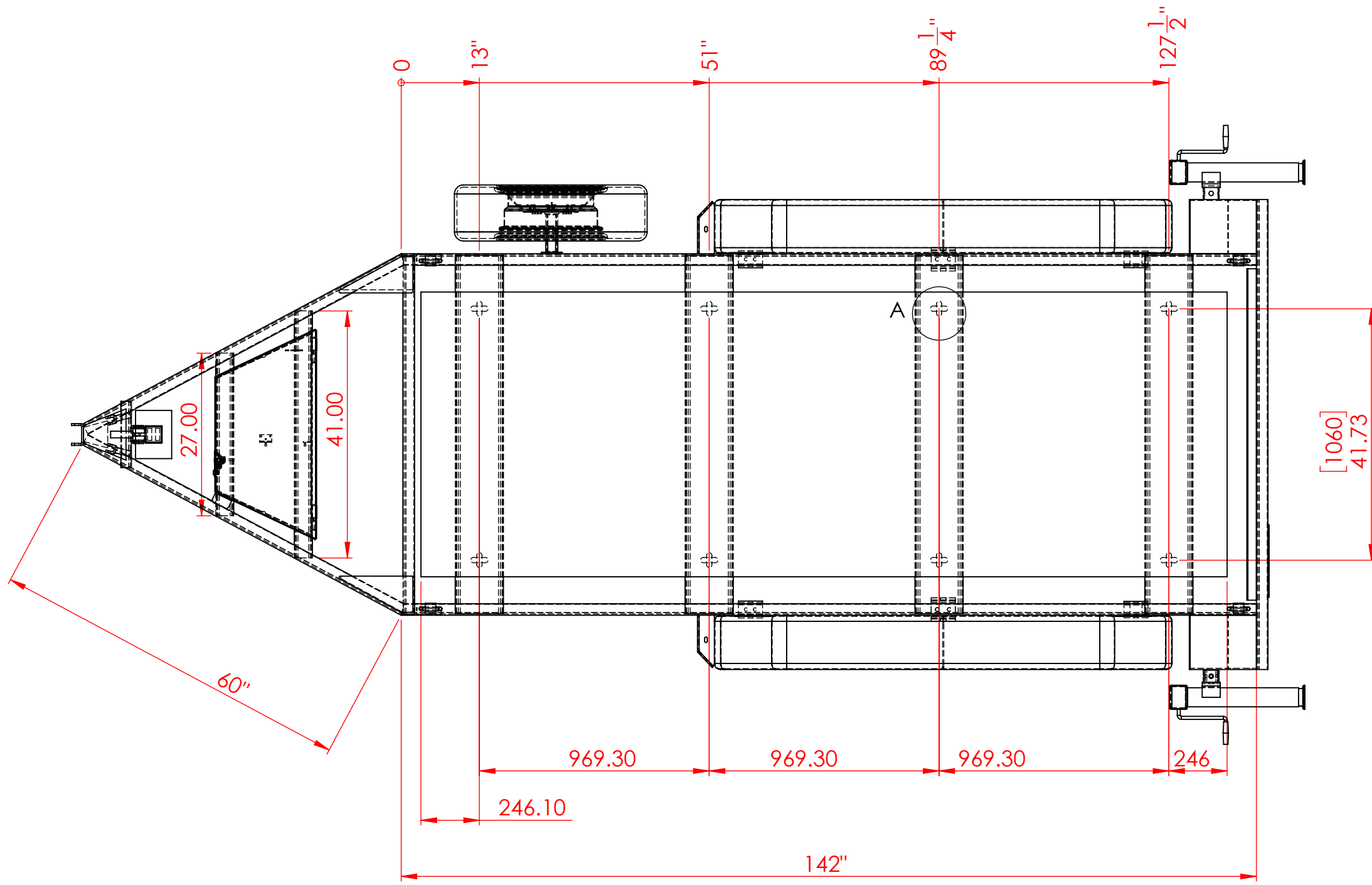
DIMENSIONS ARE IN INCHES
 TOLERANCES:
 FRACTIONAL ± 1/16
 ANGULAR: MACH ± 1.5 BEND ± 1
 TWO PLACE DECIMAL ± .06
 THREE PLACE DECIMAL ± .030

DATE 1/4/2024
 DRAWN G.L.
 CHECKED
 ENG APPR.
 MFG APPR.

PROPRIETARY AND CONFIDENTIAL

TITLE:		
SIZE	DWG. NO.	REV
B	LM6012072	
SCALE: NTS WEIGHT:		

PROJECT:



DETAIL A
SCALE 1 : 5

PROJECT:

DIMENSIONS ARE IN INCHES
TOLERANCES:
FRACTIONAL ± 1/16
ANGULAR: MACH ± 1.5 BEND ± 1
TWO PLACE DECIMAL ± .06
THREE PLACE DECIMAL ± .030

DATE 1/4/2024
DRAWN G.L.
CHECKED
ENG APPR.
MFG APPR.

PROPRIETARY AND CONFIDENTIAL

TITLE:

SIZE	DWG. NO.	REV
B	LM6012072	

SCALE: NTS WEIGHT: