

CONTROL WIRING





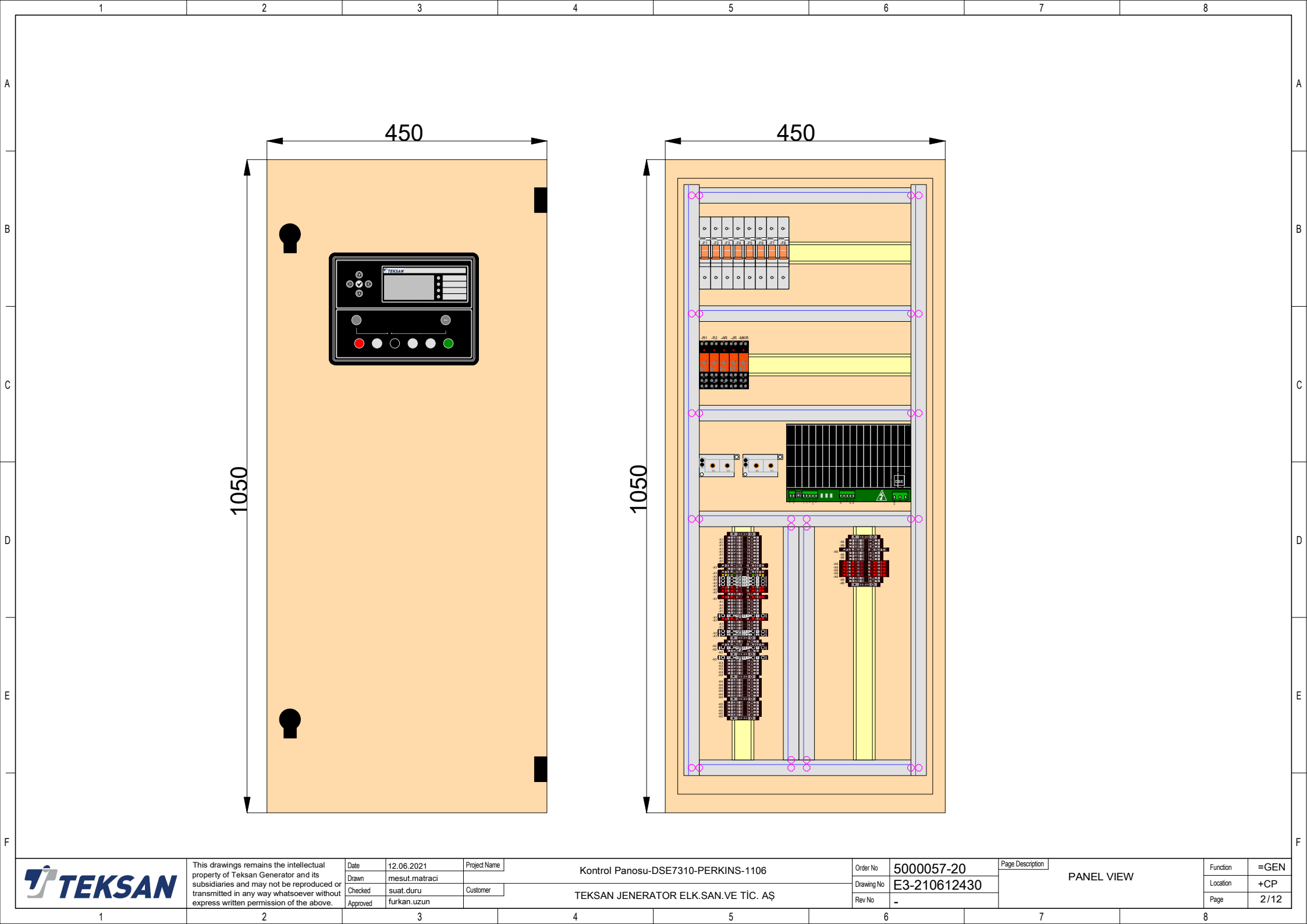
TEKSAN JENERATÖR ELEKTRİK SANAYİ VE TİCARET A.Ş
Yenidoğan Mahallesi, Edebalı Caddesi
No:12 34791 Sancaktepe - İSTANBUL / TURKEY
www.teksan.com / info@teksan.com
Tel: +(90) 444 85 76 / Fax: +(90) 216 312 69 09

CUSTOMER TEKSAN JENERATOR ELK.SAN.VE TİC. AŞ
PROJECT NAME Kontrol Panosu-DSE7310
DRAWING NO E3-210612430
REVISION NO -
ORDER NO 5000057-20

VOLTAGE (VAC) 277/480
CONT. VOLTAGE 12
FREQUENCY (Hz) 60
PHASE 3

DATE 12.06.2021
DRAWN mesut.matraci
CHECKED suat.duru
APPROVED furkan.uzun





This drawings remains the intellectual property of Teksan Generator and its subsidiaries and may not be reproduced or transmitted in any way whatsoever without express written permission of the above.

Date	12.06.2021	Project Name	
Drawn	mesut.matraci	Customer	
Checked	suat.duru		
Approved	furkan.uzun		

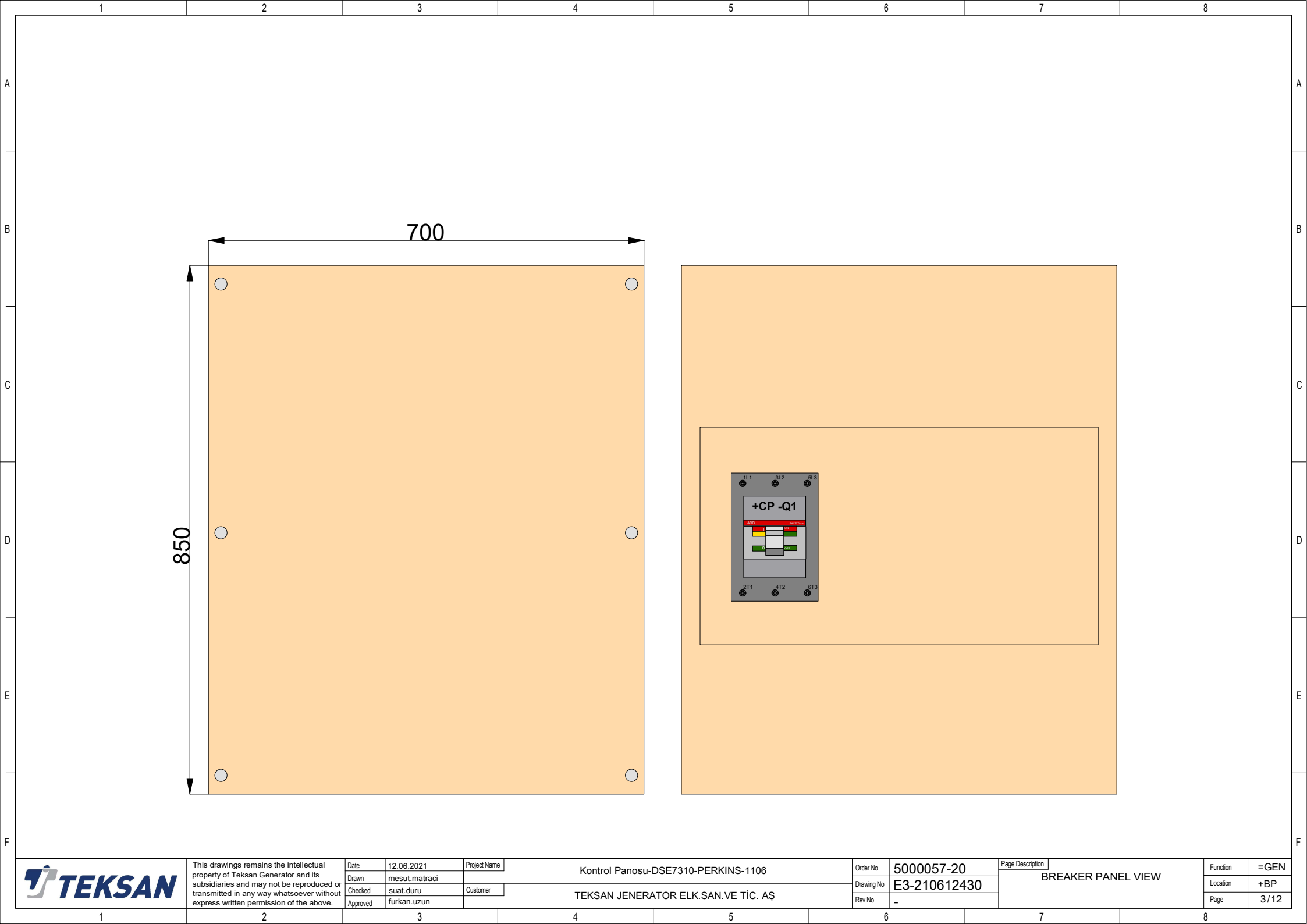
Kontrol Panosu-DSE7310-PERKINS-1106
TEKSAN JENERATOR ELK.SAN.VE TIC. AŞ

Order No	5000057-20
Drawing No	E3-210612430
Rev No	-

Page Description

PANEL VIEW

Function	=GEN
Location	+CP
Page	2 / 12



This drawings remains the intellectual property of Teksan Generator and its subsidiaries and may not be reproduced or transmitted in any way whatsoever without express written permission of the above.

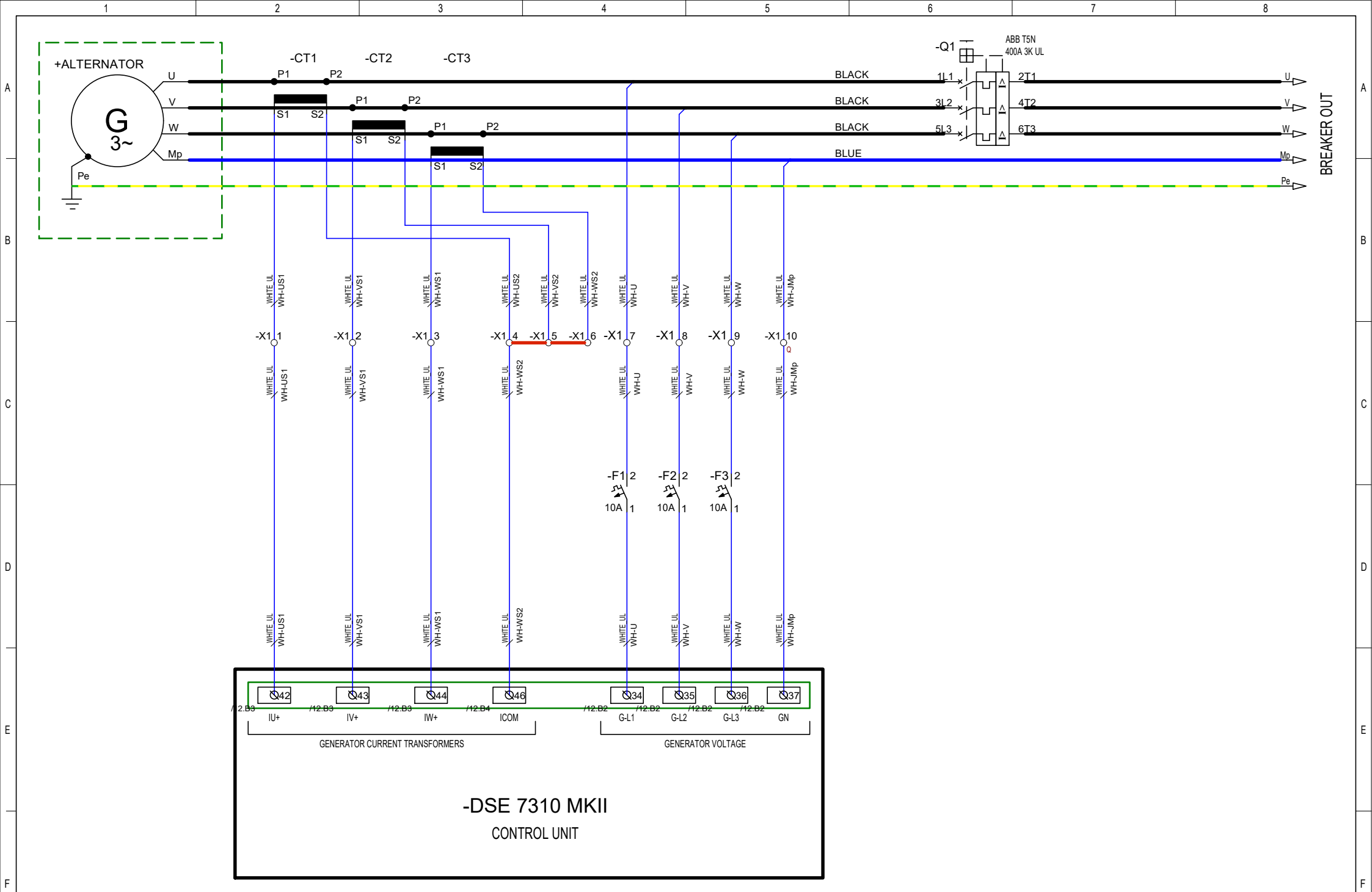
Date	12.06.2021	Project Name	
Drawn	mesut.matraci	Customer	
Checked	suat.duru		
Approved	furkan.uzun		

Kontrol Panosu-DSE7310-PERKINS-1106
TEKSAN JENERATOR ELK.SAN.VE TIC. AŞ

Order No	5000057-20
Drawing No	E3-210612430
Rev No	-

Page Description
BREAKER PANEL VIEW

Function	=GEN
Location	+BP
Page	3 / 12



This drawings remains the intellectual property of Teksan Generator and its subsidiaries and may not be reproduced or transmitted in any way whatsoever without express written permission of the above.

Date	12.06.2021	Project Name	
Drawn	mesut.matraci	Customer	
Checked	suat.duru		
Approved	furkan.uzun		

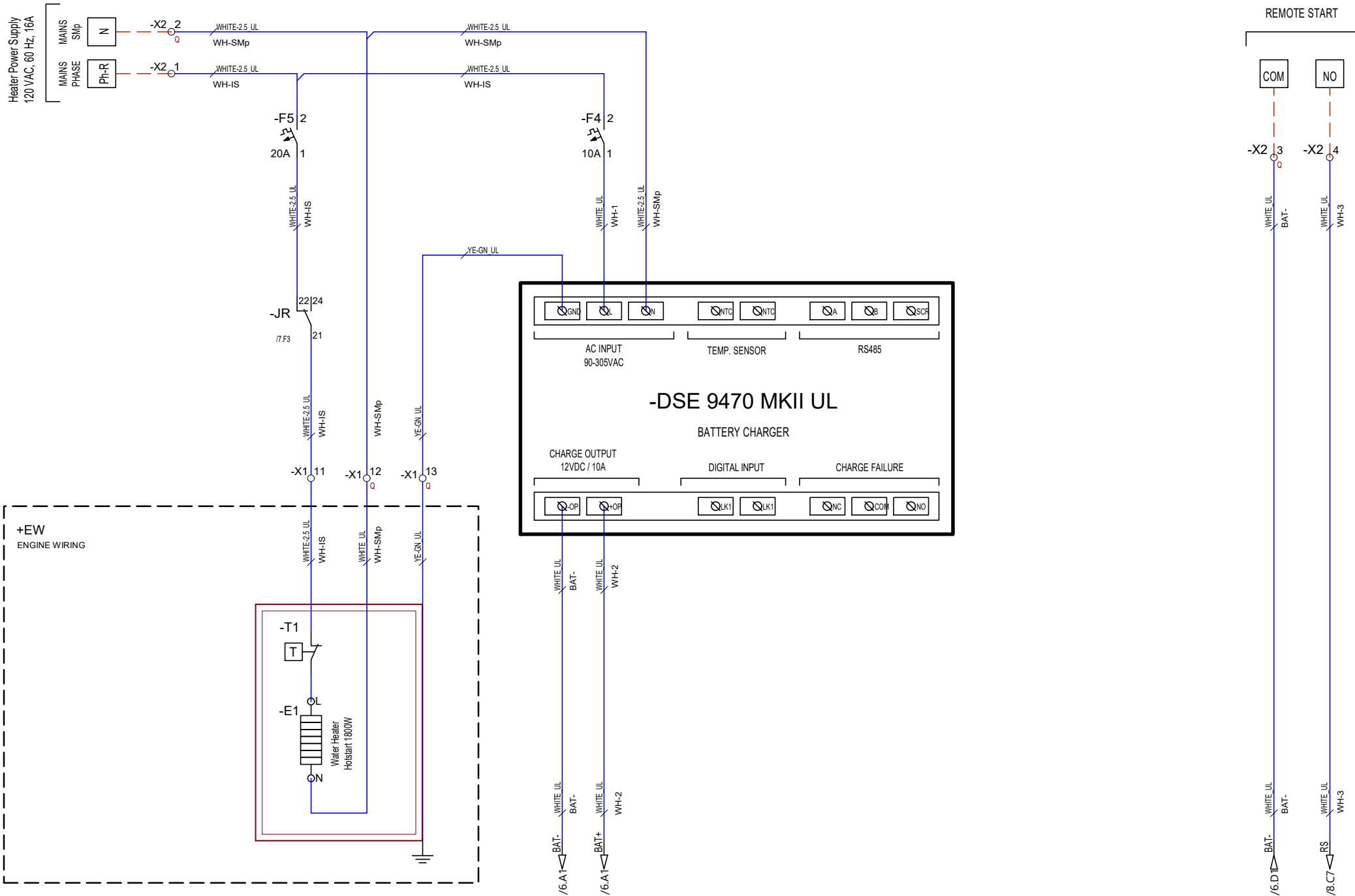
Kontrol Panosu-DSE7310-PERKINS-1106

TEKSAN JENERATOR ELK.SAN.VE TIC. AŞ

Order No	5000057-20
Drawing No	E3-210612430
Rev No	-

MEASURING AND HEATER CONTROL DIAGRAM

Function	=GEN
Location	+CP
Page	4 / 12



This drawings remains the intellectual property of Teksan Generator and its subsidiaries and may not be reproduced or transmitted in any way whatsoever without express written permission of the above.

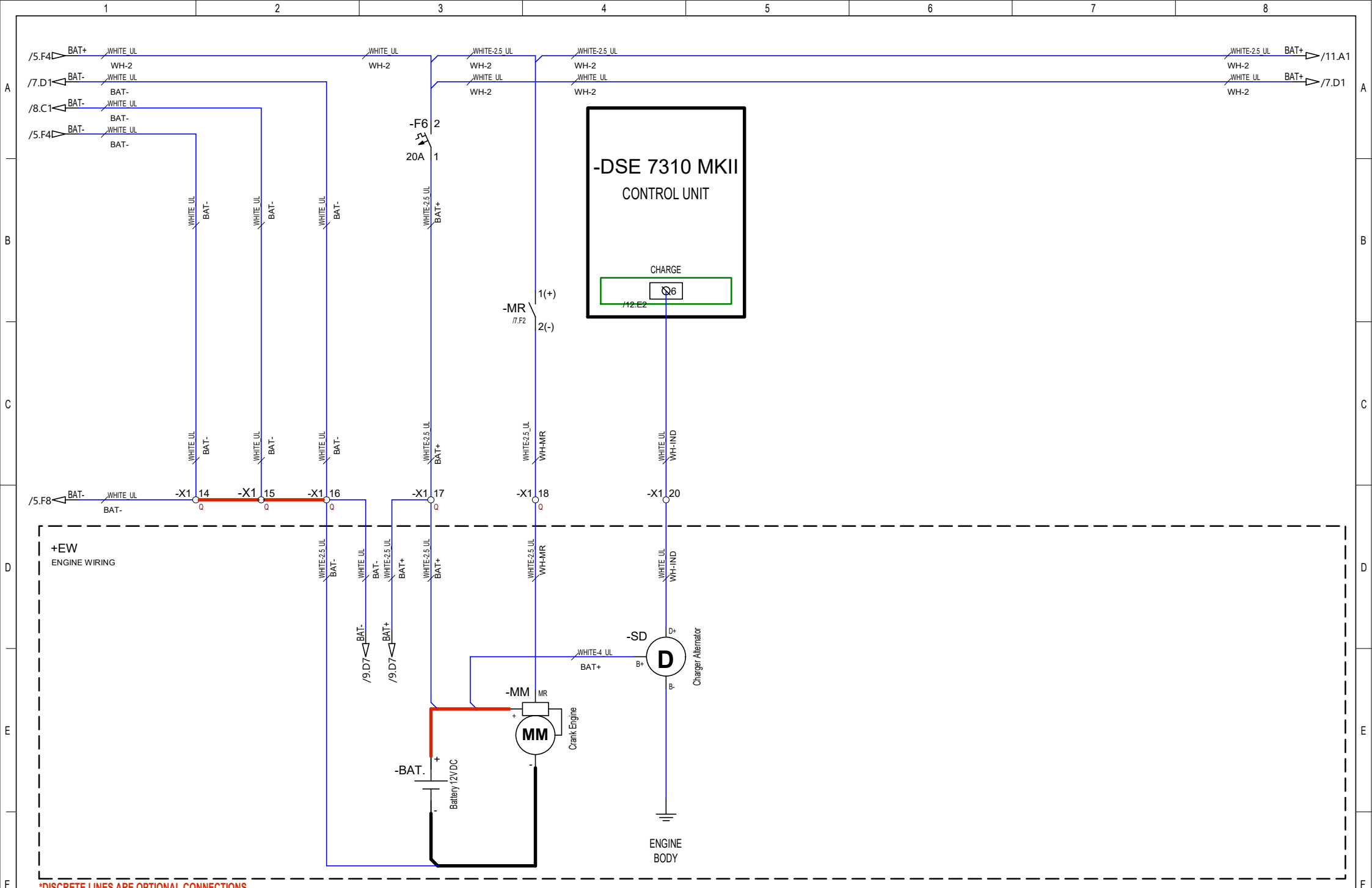
Date	12.06.2021	Project Name	
Drawn	mesut.matraci	Customer	
Checked	suat.duru		
Approved	furkan.uzun		

Kontrol Panosu-DSE7310-PERKINS-1106
 TEKSAN JENERATOR ELK.SAN.VE TİC. AŞ

Order No	5000057-20
Drawing No	E3-210612430
Rev No	-

Page Description
 RECTIFIER AND WATER HEATER SUPPLY CONTROL DIAGRAM

Function	=GEN
Location	+CP
Page	5 / 12



***DISCRETE LINES ARE OPTIONAL CONNECTIONS.**



This drawings remains the intellectual property of Teksan Generator and its subsidiaries and may not be reproduced or transmitted in any way whatsoever without express written permission of the above.

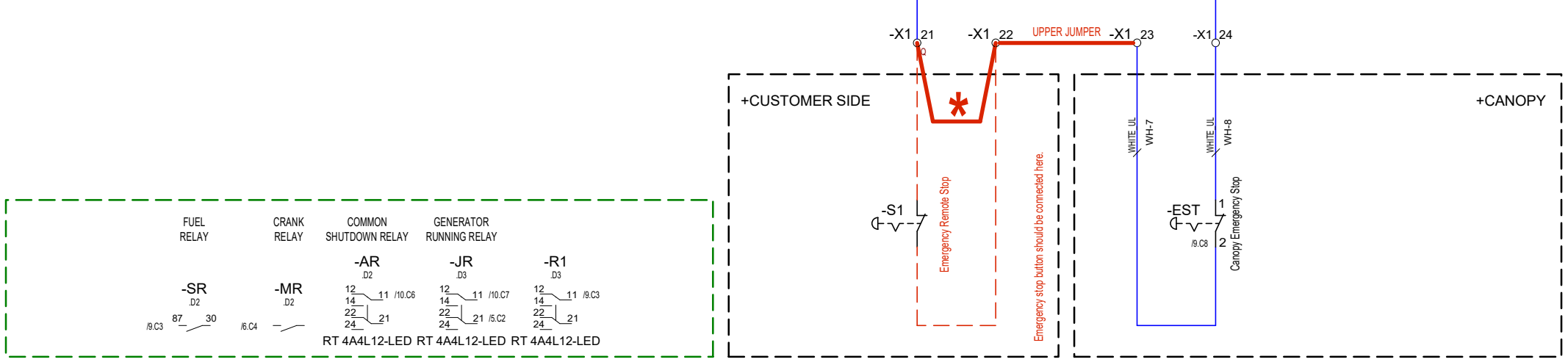
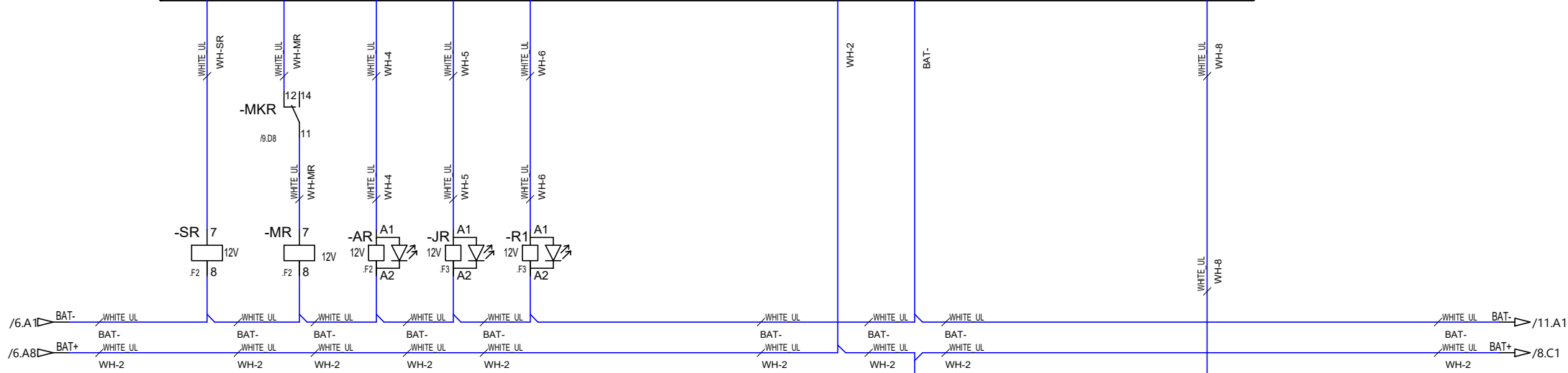
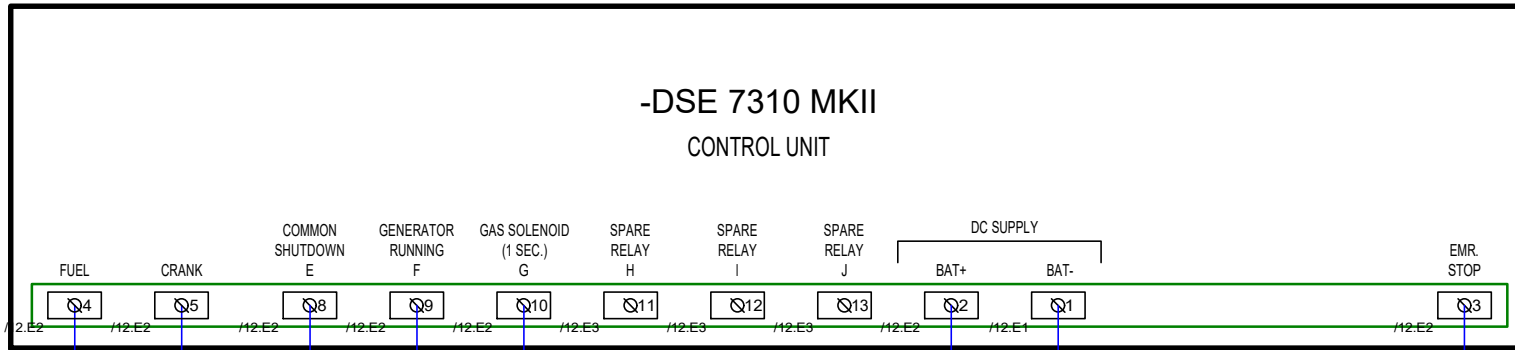
Date	12.06.2021	Project Name	
Drawn	mesut.matraci	Customer	
Checked	suat.duru		
Approved	furkan.uzun		

Kontrol Panosu-DSE7310-PERKINS-1106
TEKSAN JENERATOR ELK.SAN.VE TIC. AŞ

Order No	5000057-20
Drawing No	E3-210612430
Rev No	-

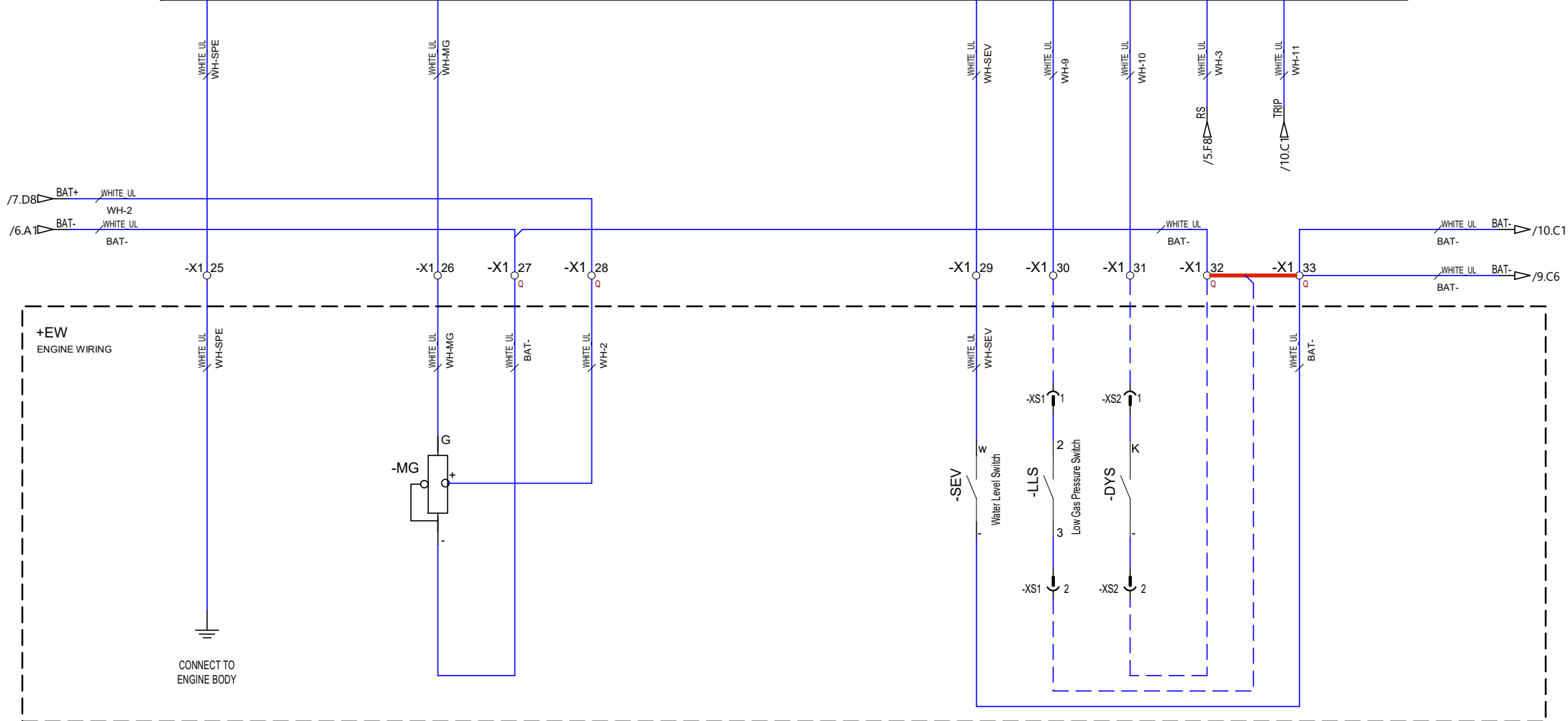
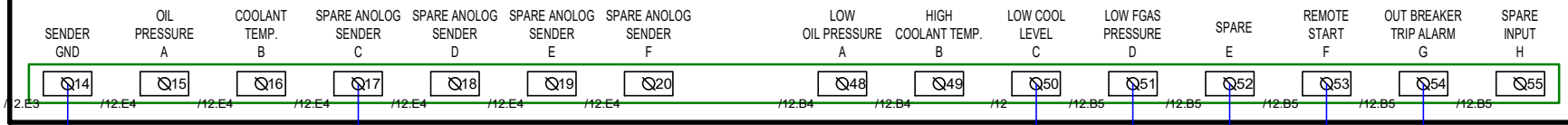
ENGINE START/STOP AND PROTECTION DIAGRAM

Function	=GEN
Location	+CP
Page	6 / 12



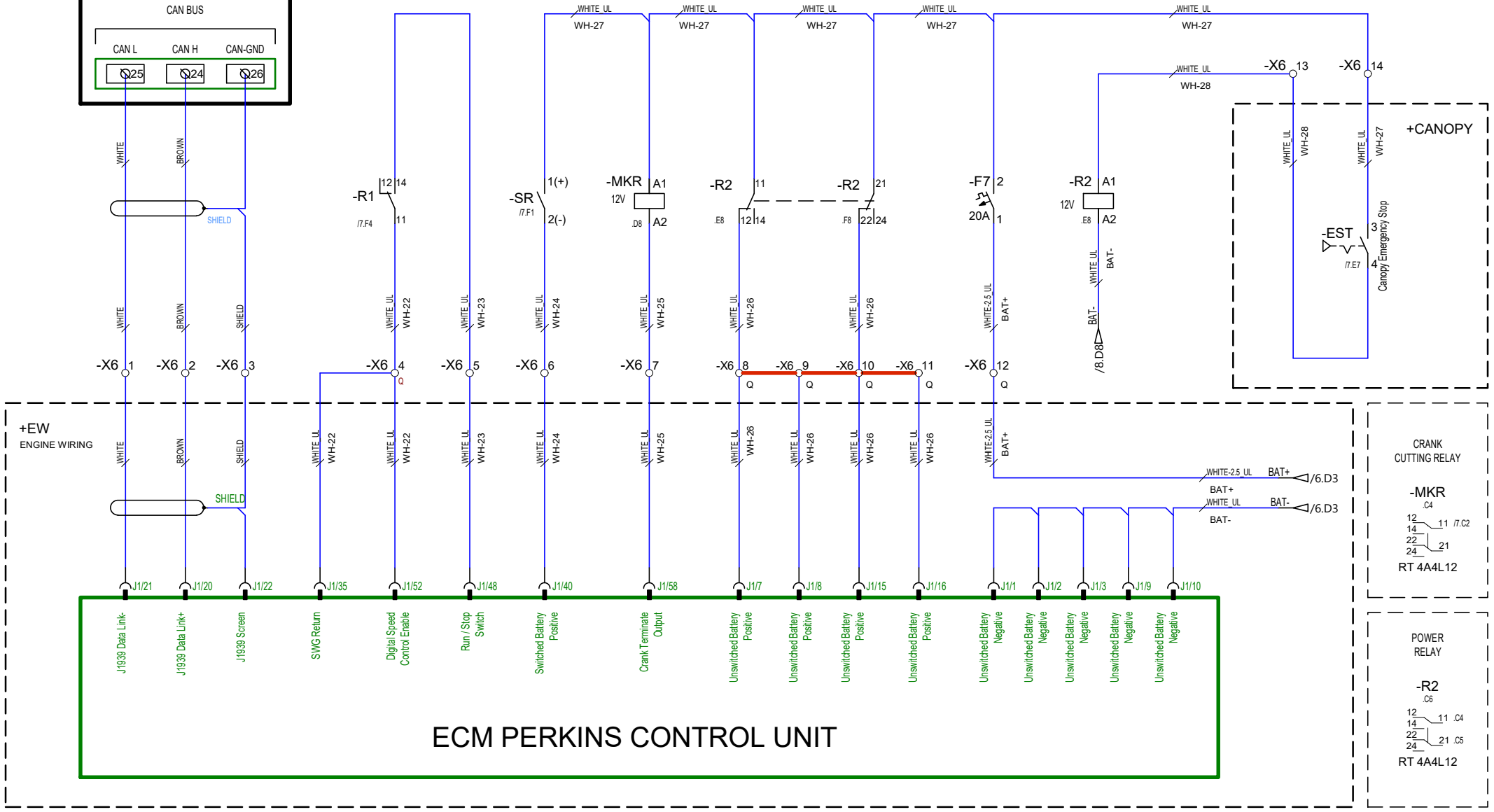
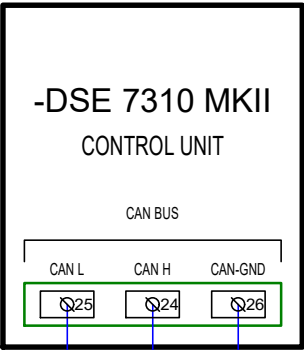
* NOTE : WHEN YOU WANT TO USE THE EMERGENCY STOP BUTTON ON THE FIELD, THE SHUNT BETWEEN -X1:21-22 MUST BE REMOVED.

-DSE 7310 MKII CONTROL UNIT



***DISCRETE LINES ARE OPTIONAL CONNECTIONS.**

	This drawings remains the intellectual property of Teksan Generator and its subsidiaries and may not be reproduced or transmitted in any way whatsoever without express written permission of the above.	Date	12.06.2021	Project Name	Kontrol Panosu-DSE7310-PERKINS-1106	Order No	5000057-20	Page Description INPUT DIAGRAM	Function	=GEN
		Drawn	mesut.matraci	Customer	TEKSAN JENERATOR ELK.SAN.VE TIC. AŞ	Drawing No	E3-210612430		Location	+CP
		Checked	suat.duru			Rev No	-		Page	8 /12
		Approved	furkan.uzun							



This drawing remains the intellectual property of Teksan Generator and its subsidiaries and may not be reproduced or transmitted in any way whatsoever without express written permission of the above.

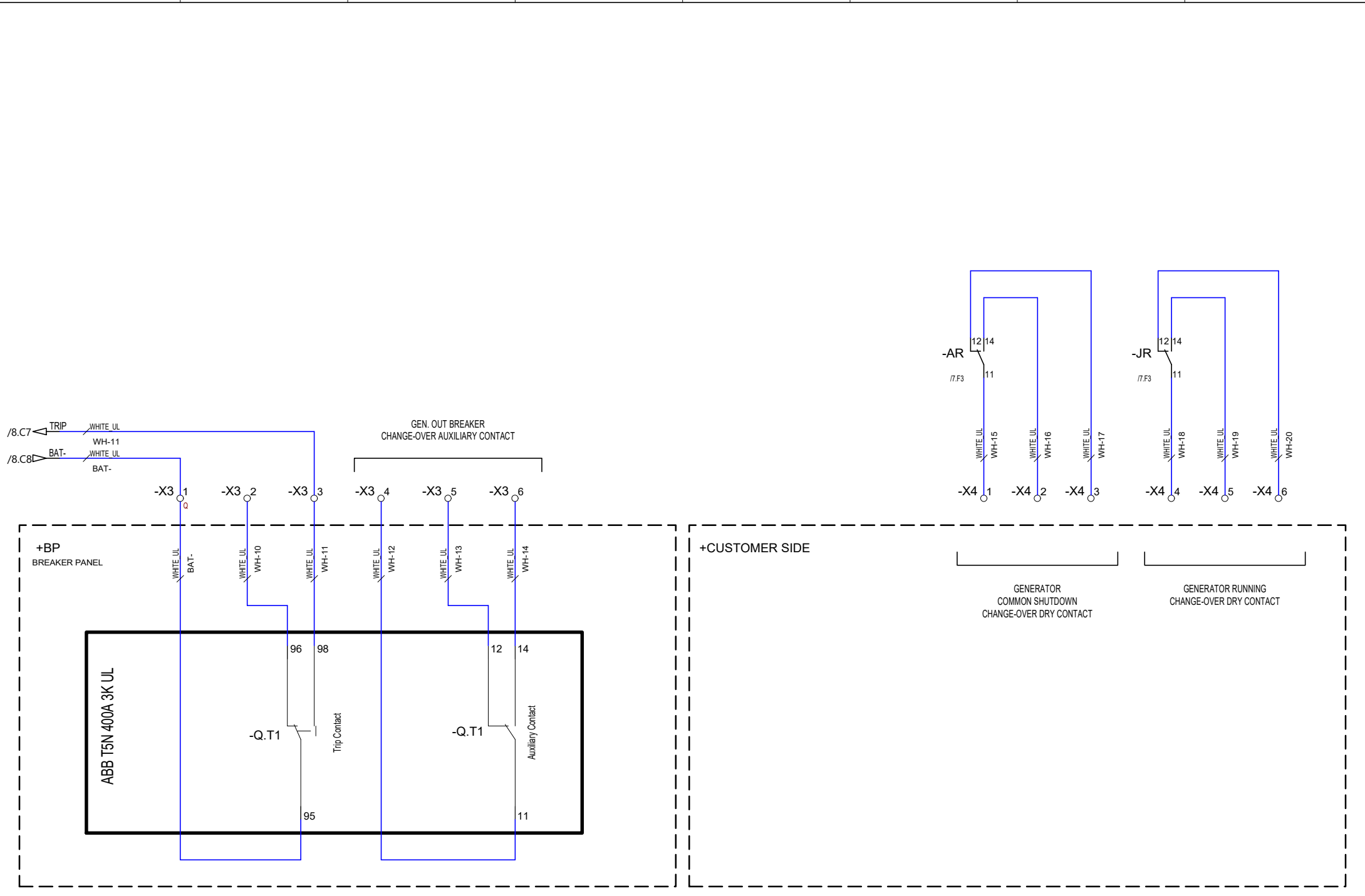
Date	12.06.2021	Project Name	
Drawn	mesut.matraci	Customer	
Checked	suat.duru		
Approved	furkan.uzun		

Kontrol Panosu-DSE7310-PERKINS-1106
TEKSAN JENERATOR ELK.SAN.VE TIC. AŞ

Order No	5000057-20
Drawing No	E3-210612430
Rev No	-

Page Description
ECM CONTROL DIAGRAM

Function	=GEN
Location	+CP
Page	9/12



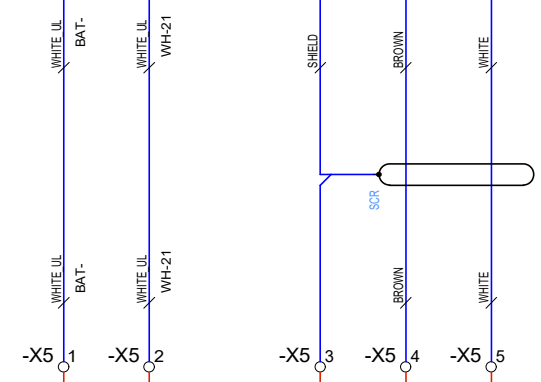
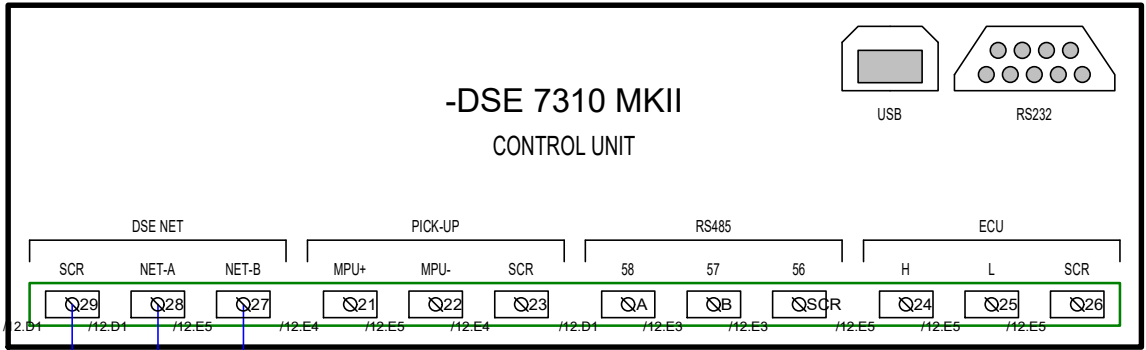
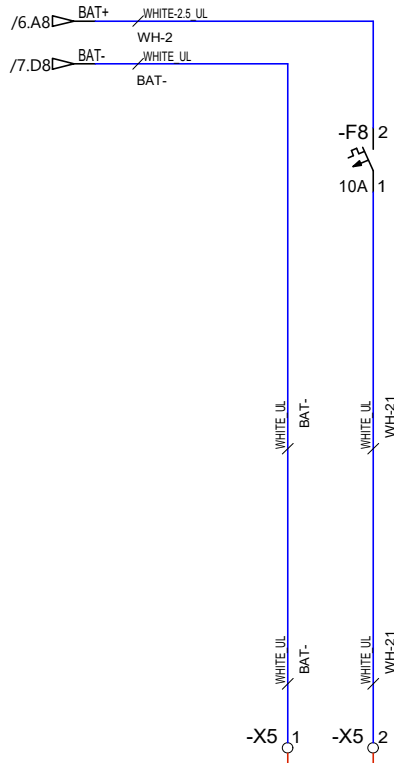
This drawings remains the intellectual property of Teksan Generator and its subsidiaries and may not be reproduced or transmitted in any way whatsoever without express written permission of the above.

Date	12.06.2021	Project Name	
Drawn	mesut.matraci	Customer	
Checked	suat.duru		
Approved	furkan.uzun		

Kontrol Panosu-DSE7310-PERKINS-1106
 TEKSAN JENERATOR ELK.SAN.VE TIC. AŞ

Order No	5000057-20
Drawing No	E3-210612430
Rev No	-

Page Description	OUT BREAKER AUXILIARY CONTACT
Function	=GEN
Location	+CP
Page	10/12



*DISCRETE LINES ARE OPTIONAL CONNECTIONS.



This drawings remains the intellectual property of Teksan Generator and its subsidiaries and may not be reproduced or transmitted in any way whatsoever without express written permission of the above.

Date	12.06.2021	Project Name	
Drawn	mesut.matraci	Customer	
Checked	suat.duru		
Approved	furkan.uzun		

Kontrol Panosu-DSE7310-PERKINS-1106
TEKSAN JENERATOR ELK.SAN.VE TIC. AŞ

Order No	5000057-20
Drawing No	E3-210612430
Rev No	-

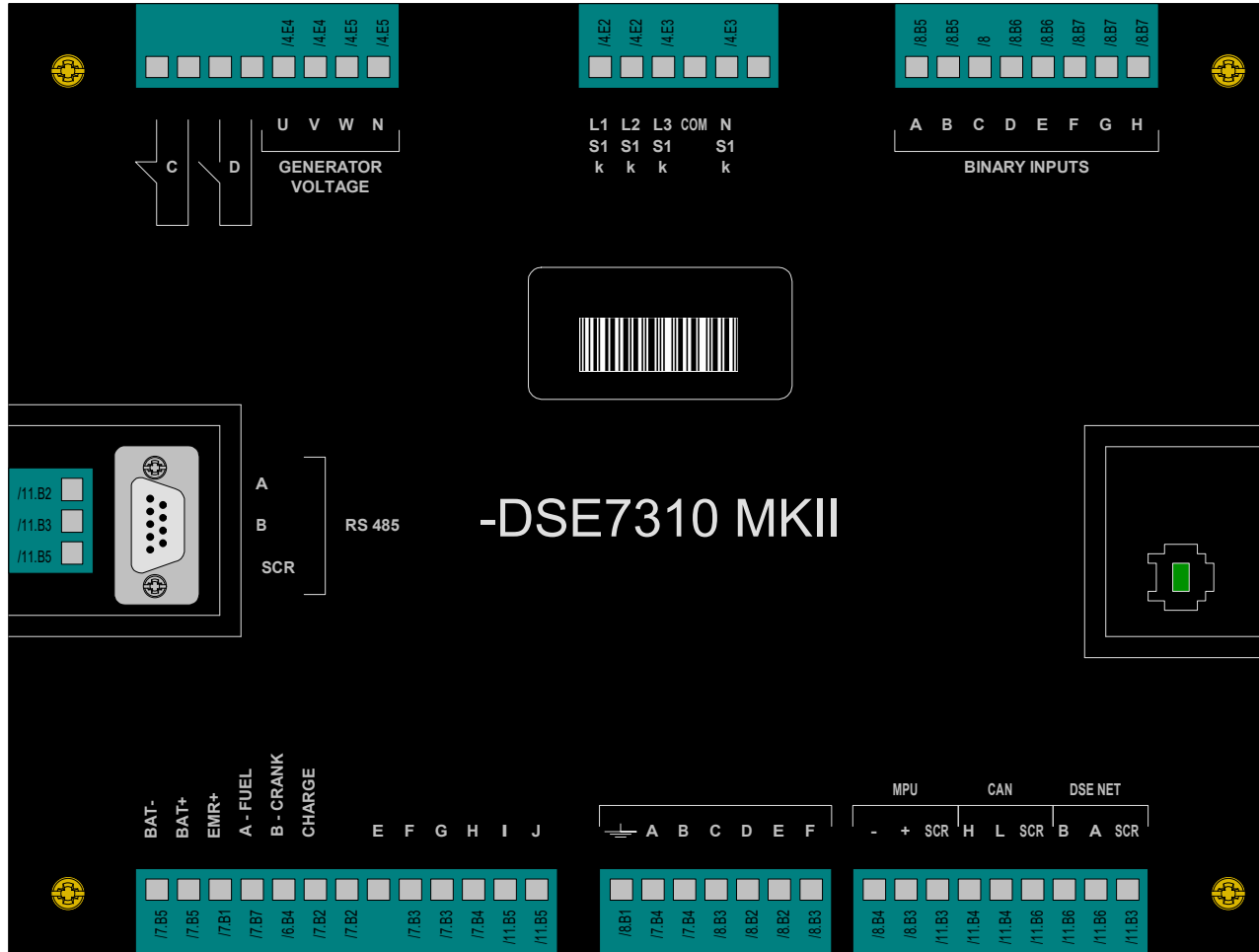
Page Description
COMMUNICATION DIAGRAM

Function	=GEN
Location	+CP
Page	11/12

GENERATOR CONTROL UNIT

THIS PROJECT COMMON FOR BELOW WRITTEN ENGINES.

MODEL / BRAND	HEATER M.	PIECE	WATTS
1106D-E70TAG2 / PERKINS	HOTSTART	1	1800



This drawings remains the intellectual property of Teksan Generator and its subsidiaries and may not be reproduced or transmitted in any way whatsoever without express written permission of the above.

Date	12.06.2021	Project Name	
Drawn	mesut.matraci	Customer	
Checked	suat.duru		
Approved	furkan.uzun		

Kontrol Panosu-DSE7310-PERKINS-1106

TEKSAN JENERATOR ELK.SAN.VE TIC. AŞ

Order No	5000057-20
Drawing No	E3-210612430
Rev No	-

Page Description

DEVICE PAGE

Function	=GEN
Location	+CP
Page	12 /12