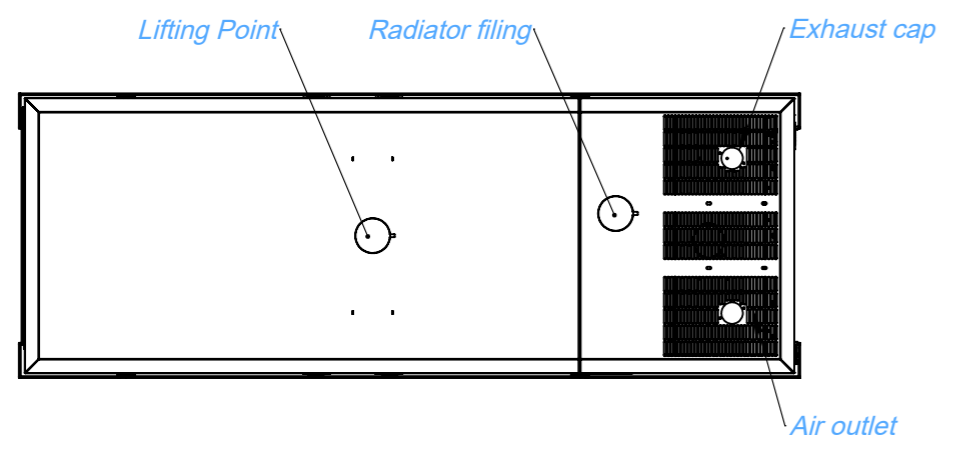
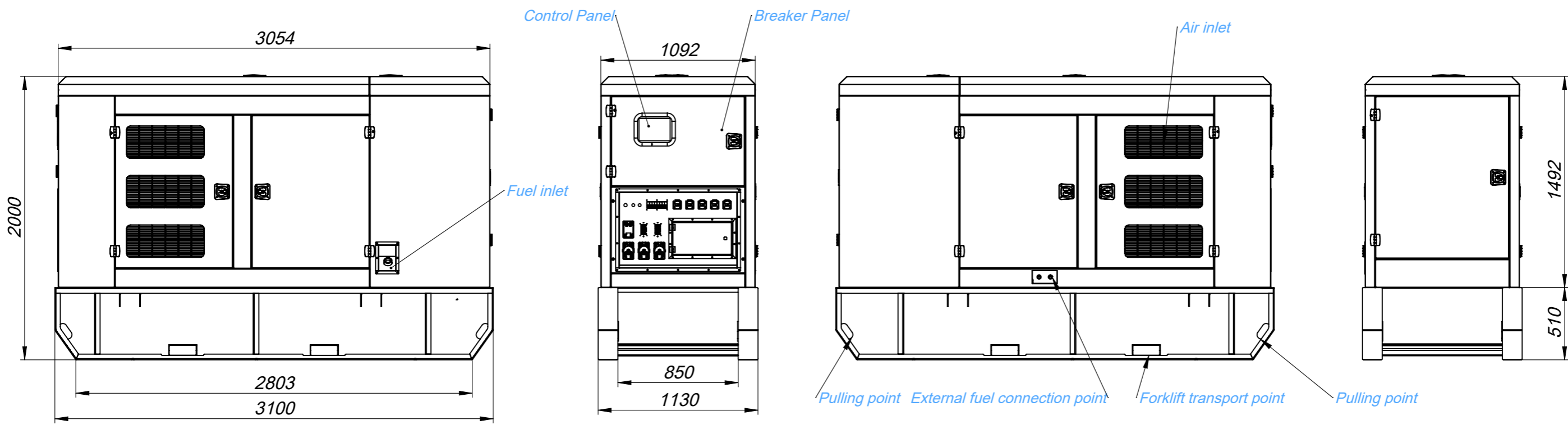
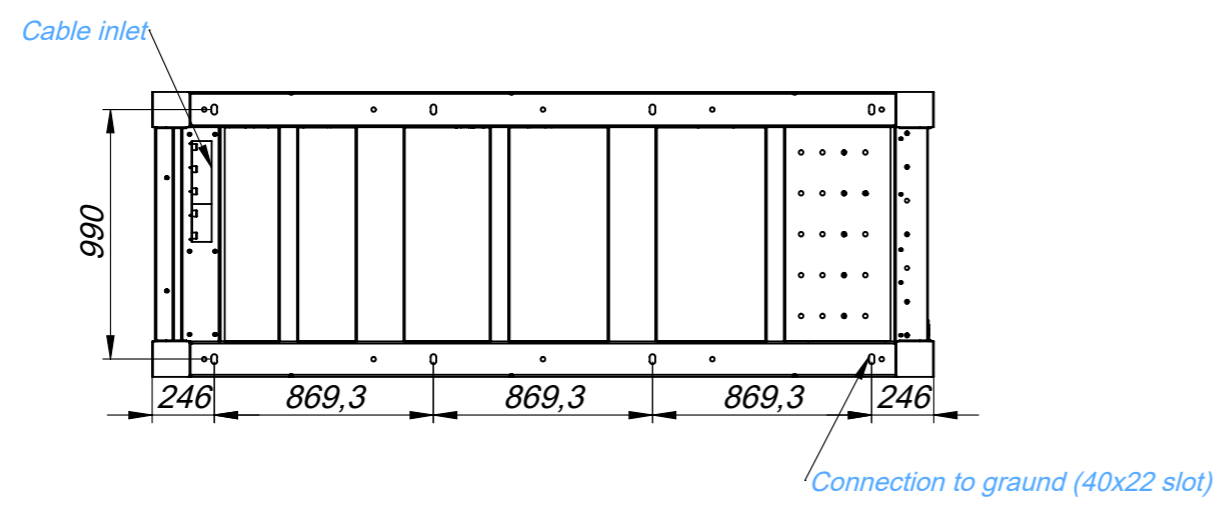
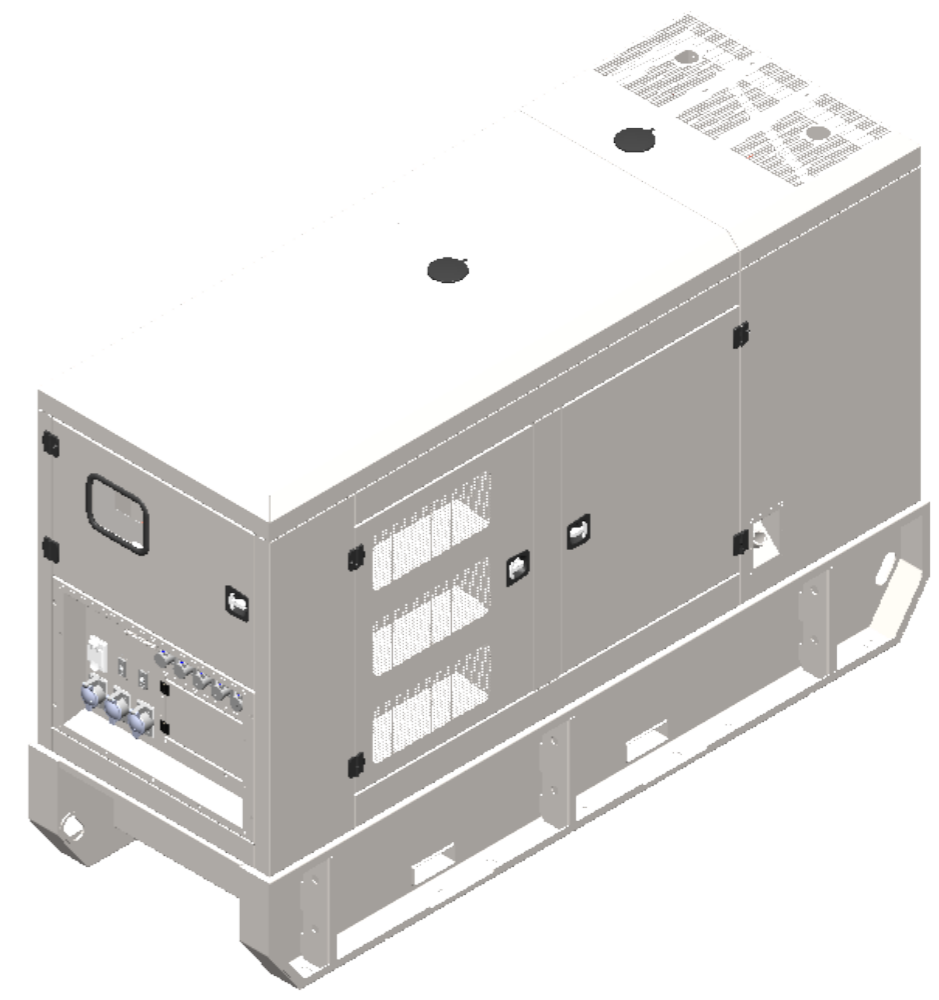


DIMENSIONAL DRAWINGS





DRAFT



Please do not take measures on the drawings.

	Tolerances	Name	Date	Document No
	ISO 2768	Yasin Parlak	27-08-2021	SM-210872134
		Checked	-	Part Code
		Approval	-	-
* _ *	1. Projection Method	Paper Size	Scale	Order No
		A3	1:30	4018755-30
		Rev. No	Title	
		R00(G)	Jeneratör Seti-Dizel-Kabinli-	